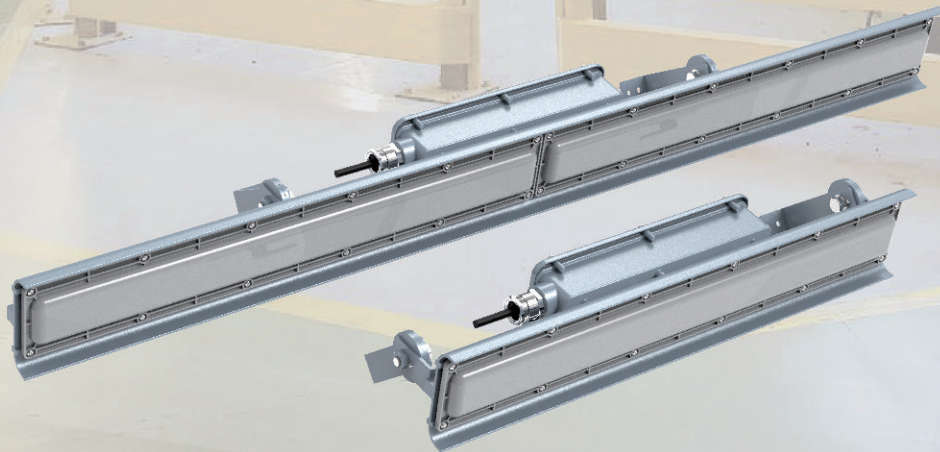




Kingfish Series



LED Industrial Light

**CE & RoHS Certified LED Linear light in Industrial Area.
Kingfish Series**

CE RoHS

www.khjled.com



Features And Benefits:

- High efficacy LED Source with long lifespan >50,000 hours
- 5-year performance warranty
- Low THD around 10%, Less interference
- 5KV Surge Protection
- Robust aluminium housing and high impact resistant PC cover
- Vibration and shock resistant
- Low maintenance

Applications:



Cement plants



Warehouse



Factory



Power Generation



Power Transmission



Shipping industry

CE ROHs

CE & RoHS Certified LED Linear light in Industrial Area.

LED Linear light

Standard & Certificate:

Certificate:	<ul style="list-style-type: none">• CE• RoHS
Executive Standard:	<ul style="list-style-type: none">• EN 55015, EN 61547, EN 61000-3-2, EN 61000-3-3, EN 60598-1,• EN 60598-2-5, EN 62031, EN 62493,• IEC 62321-4, IEC 62321-5, IEC 62321-6, IEC 62321-7-1,• IEC 62321-7-2, IEC 62321-8

Electrical & Photometric Features:

Luminaire Efficacy:	136.5lm/W
Lifespan:	>50,000 hours
Operating Voltage:	100-277 VAC 141-392 VDC
Power(W):	18W/36W/48W(0.6m),48W/64W(1.2m)
Frequency:	50/60Hz
Power Factor:	>0.98
THD:	<10%
Insulation Class:	I
Surge Protection:	4KV/6KV
LED Driver:	Over voltage protection/short circuit protection

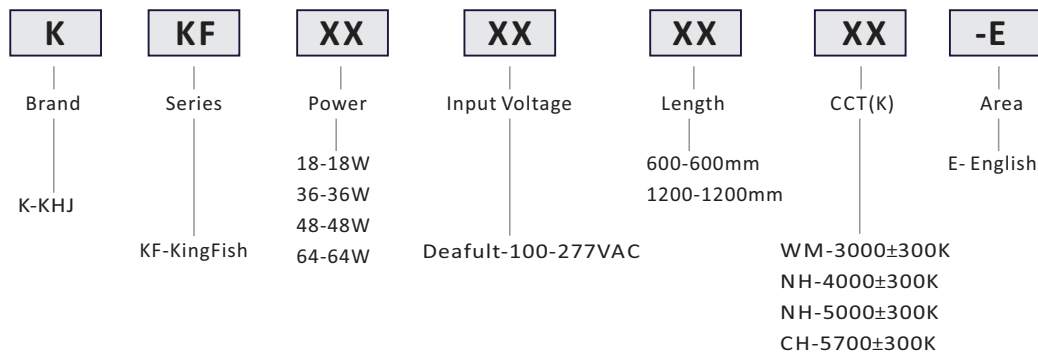
Mechanical Features:

Weight:	2.7Kg(0.6m)/4.3Kg(1.2m)
Size:	600*110*103mm(18W/36W/48W)/1200*110*103mm(48W/64W)
Ambient Temperature:	-40°C-+55°C/-40°C-+65°C
Connecting Terminals:	3*1.0-4.0mm ² (L+N+PE)
Cable Entries:	2XNPT 3/4" (M20*1.5, M25*1.5 are optional)
Earthing Protection:	M4 (Internal & external earth bolts)
IP Code:	IP66
Enclosure Material:	Copper-free Aluminium
Enclosure Colour:	Grey RAL7040
Coating:	Epoxy powder coating
Exposed Fastener:	Stainless steel
Protective Cover:	PC,Stand 7J impact

CE ROHs

CE & RoHS Certified LED Linear light in Industrial Area.

Production Definition



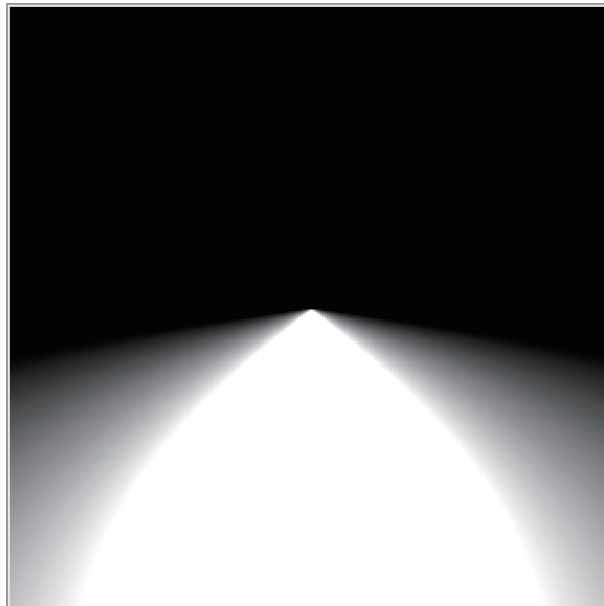
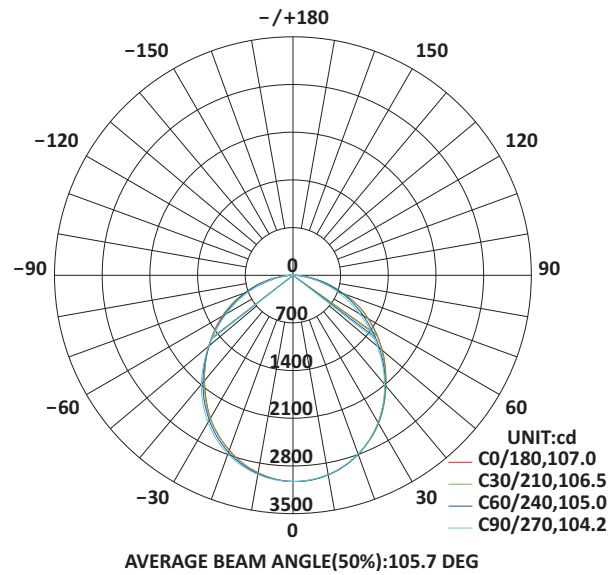
Ordering Information

P/N	Operating Voltage(V)	Luminous Flux(lm)	Power(W)	CRI	Color Temp.	CCT(K)
KKF18600WM-E	100-277 AC (141-392 DC)	2268	18	82	Warm white	3000±300
KKF18600NH-E		2457	18	80	Natural white	4000±300
KKF18600NH-E		2457	18	80	Natural white	5000±300
KKF18600CH-E		2457	18	80	Cool white	5700±300
KKF36600WM-E		4536	36	82	Warm white	3000±300
KKF36600NH-E		4914	36	80	Natural white	4000±300
KKF36600NH-E		4914	36	80	Natural white	5000±300
KKF36600CH-E		4914	36	80	Cool white	5700±300
KKF48600WM-E		6048	48	82	Warm white	3000±300
KKF48600NH-E		6552	48	80	Natural white	4000±300
KKF48600NH-E		6552	48	80	Natural white	5000±300
KKF48600CH-E		6552	48	80	Cool white	5700±300
KKF481200WM-E		6048	48	82	Warm white	3000±300
KKF481200NH-E		6552	48	80	Natural white	4000±300
KKF481200NH-E		6552	48	80	Natural white	5000±300
KKF481200CH-E		6552	48	80	Cool white	5700±300
KKF641200WM-E		8064	64	82	Warm white	3000±300
KKF641200NH-E		8736	64	80	Natural white	4000±300
KKF641200NH-E		8736	64	80	Natural white	5000±300
KKF641200CH-E		8736	64	80	Cool white	5700±300

CE ROHS

CE & RoHS Certified LED Linear light in Industrial Area.

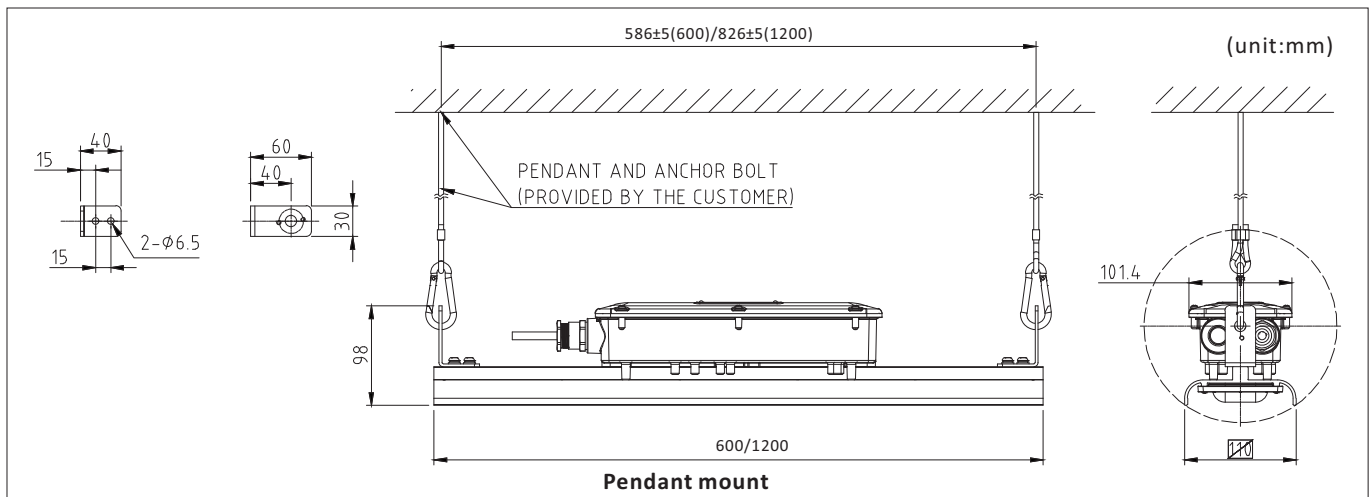
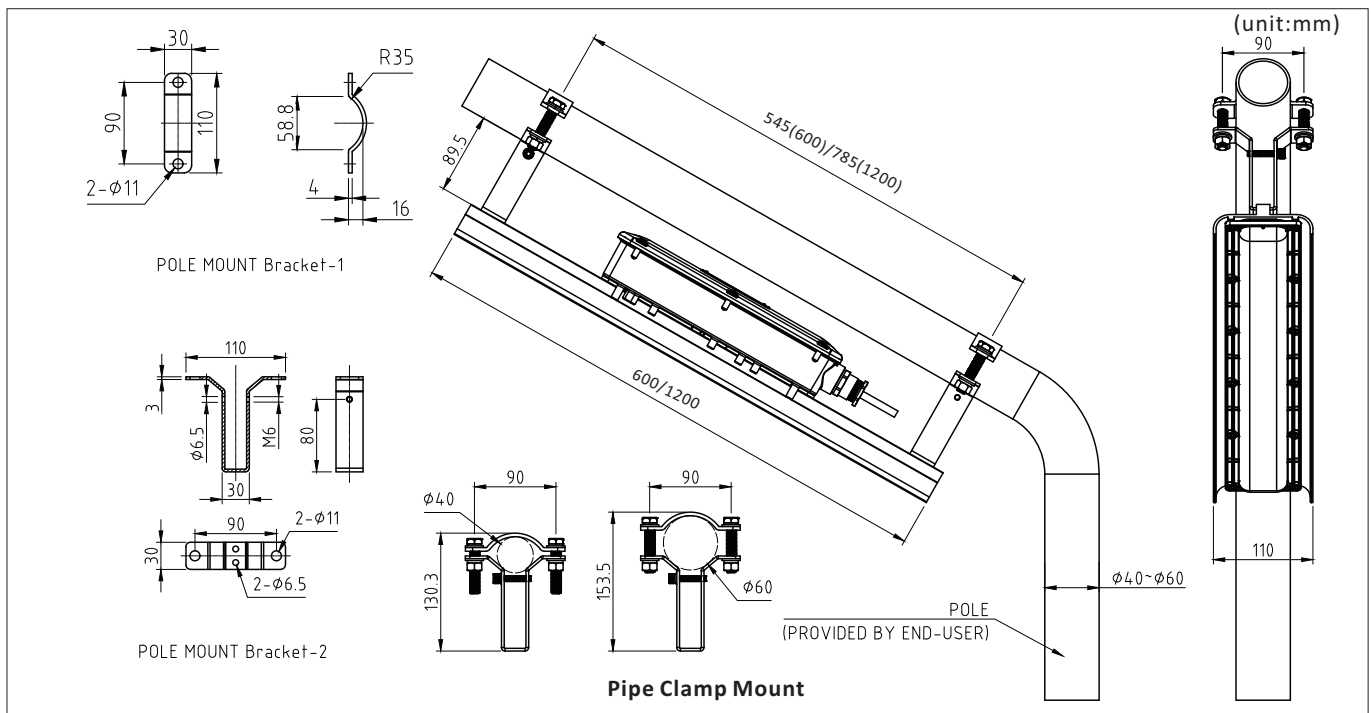
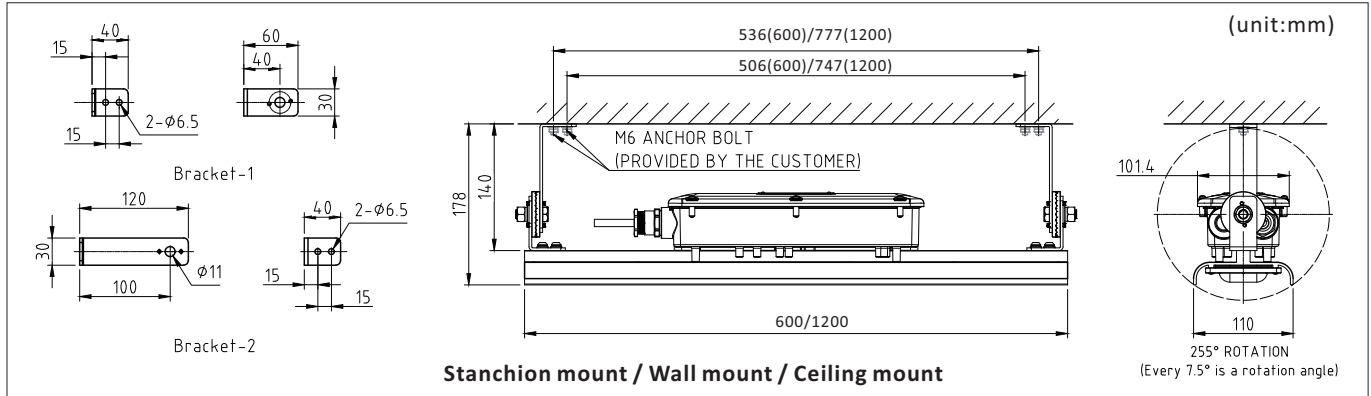
Candela Distribution



CE ROHS

CE & RoHS Certified LED Linear light in Industrial Area.




Installation Method



CE ROHS

CE & RoHS Certified LED Linear light in Industrial Area.

Optional Parts

No.	Installation Accessories	Part No.	Picture	Material	Weight(Kg)	QTY	Remarks
1	Stanchion Bracket	SBT-KF-SUS316		SUS316	0.3	2	Ceiling Mount Stanchion Mount Wall Mount
2	Pipe Clamp	PCP-KF-SUS316		SUS316	0.4	2	Pipe Clamp mount
3	Buckle Bracket	BU-KF-SUS316		SUS316	0.2	2	Pendant mount