

LED Industrial Light

**CE & RoHS Certified LED Floodlight/Bay light
High bay light in Industrial Area.
Polarbear Series**

CE RoHS



Features And Benefits:

- High efficacy LED Source with long lifespan >50,000 hours
- 5-year performance warranty
- Low THD around 10%, Less interference
- 5KV Surge Protection
- Robust aluminium housing and strong tempered glass
- Vibration and shock resistant
- Low maintenance

Applications:



Cement plants



Warehouse



Factory



Power Generation



Power Transmission



Shipping industry

CE RoHS

CE & RoHS Certified LED Floodlight/bay light/High bay light in Industrial Area.

LED Floodlight/High bay light

Standard & Certificate:

Certificate:	<ul style="list-style-type: none">• CE• RoHS• ABS
Executive Standard:	<ul style="list-style-type: none">• EN 55015, EN 61547, EN 61000-3-2, EN 61000-3-3• EN 60598-1, EN 60598-2-5, EN 62031, EN 62493• IEC 62321-4, IEC 62321-5, IEC 62321-6• IEC 62321-7-1, IEC 62321-7-2, IEC 62321-8

Electrical & Photometric Features:

Luminaire Efficacy:	147m/W
Lifespan:	>50,000 hours
Operating Voltage:	100-277 VAC 141-392 VDC
Power:	80W/120W/160W/200W/240W
Frequency:	50/60Hz
Power Factor:	>0.98
THD:	<10%
Insulation Class:	I
Surge Protection:	4KV/6KV
LED Driver:	Over voltage protection/short circuit protection

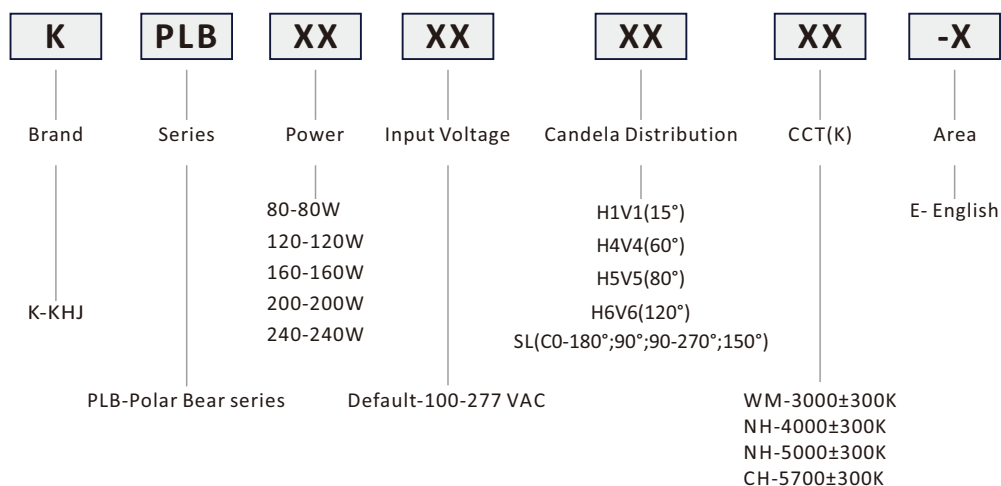
Mechanical Features:

Weight:	7.3Kg(80W)/11Kg(120W,160W)/18.4Kg(200W,240W)
Size:	210*400*161mm(80W)/260*400*161mm(120W,160W) 500*400*161mm(200W,240W)
Ambient Temperature:	-40°C--+55°C
Connecting Terminals:	3*1.0mm ² (L+N+PE);3*1.0-4.0mm ² (L+N+PE) for optional
Cable Entries:	2XM25*1.5(M20*1.5 is optional)
Earthing Protection:	M4 (Internal & external earth bolts)
IP Code:	IP66
Enclosure Material:	Copper-free Aluminium
Enclosure Colour:	Grey RAL7040
Coating:	Epoxy powder coating
Exposed Fastener:	Stainless steel
Protective Cover:	Tempered glass,Stand 7J impact

CE RoHS

CE & RoHS Certified LED Floodlight/bay light/High bay light in Industrial Area.

Production Definition



Ordering information

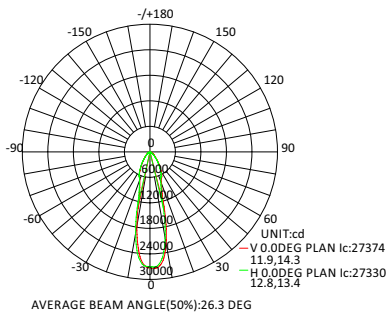
P/N	Operating Voltage(V)	Luminous Flux(lm)	Power(W)	CRI	Color Temp.	CCT(K)
KPLB80*WM-E	100-277 AC (141-392 DC)	10920	80	70	Warm white	3000±300
KPLB80*NH-E		11760	80	70	Natural white	4000±300
KPLB80*NH-E		11760	80	70	Natural white	5000±300
KPLB80*CH-E		11760	80	70	Cool white	5700±300
KPLB120*WM-E		16380	120	70	Warm white	3000±300
KPLB120*NH-E		17640	120	70	Natural white	4000±300
KPLB120*NH-E		17640	120	70	Natural white	5000±300
KPLB120*CH-E		17640	120	70	Cool white	5700±300
KPLB160*WM-E		21840	160	70	Warm white	3000±300
KPLB160*NH-E		23520	160	70	Natural white	4000±300
KPLB160*NH-E		23520	160	70	Natural white	5000±300
KPLB160*CH-E		23520	160	70	Cool white	5700±300
KPLB200*WM-E		27300	200	70	Warm white	3000±300
KPLB200*NH-E		29400	200	70	Natural white	4000±300
KPLB200*NH-E		29400	200	70	Natural white	5000±300
KPLB200*CH-E		29400	200	70	Cool white	5700±300
KPLB240*WM-E		32760	240	70	Warm white	3000±300
KPLB240*NH-E		35280	240	70	Natural white	5000±300
KPLB240*NH-E		35280	240	70	Natural white	4000±300
KPLB240*CH-E		35280	240	70	Cool white	5700±300

- Remarks:
- * Stands for beam angle, including H1V1 / H4V4 / H5V5 / H6V6 / SL;
 - For Beam angle H1V1, H4V4 and H5V5, the luminous flux will be 15% less;
For Beam angle SL, the luminous flux will be 30% less.
 - SL beam angle is only applicable for 80W&120W.

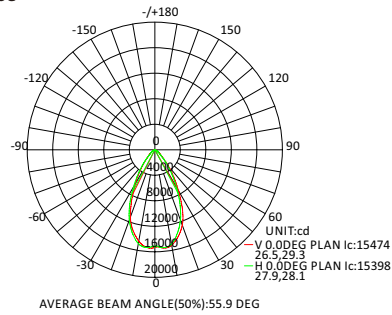
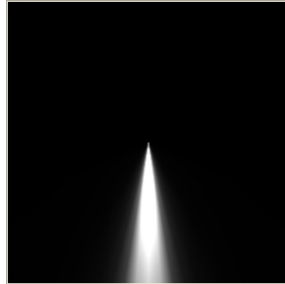
CE RoHS

CE & RoHS Certified LED Floodlight/bay light/High bay light in Industrial Area.

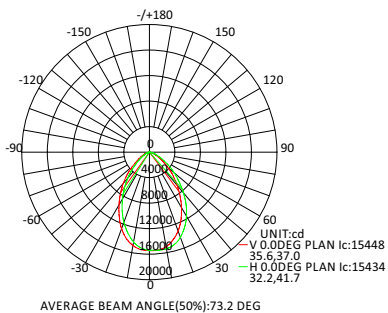
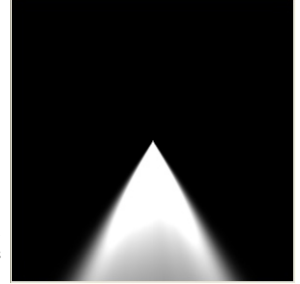
Candela Distribution



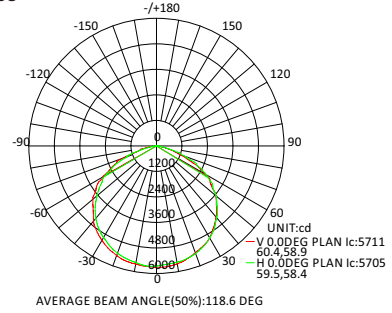
H1V1(15°)/High efficacy LED Source



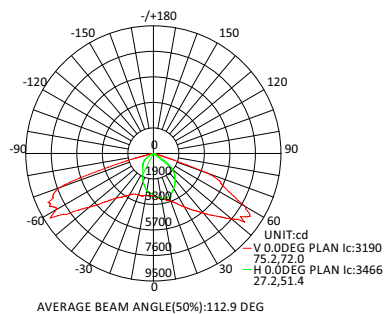
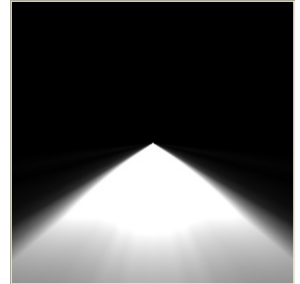
H4V4(60°)/High efficacy LED Source



H5V5(80°)/High efficacy LED Source



H6V6(120°)/High efficacy LED Source



SL/High efficacy LED Source

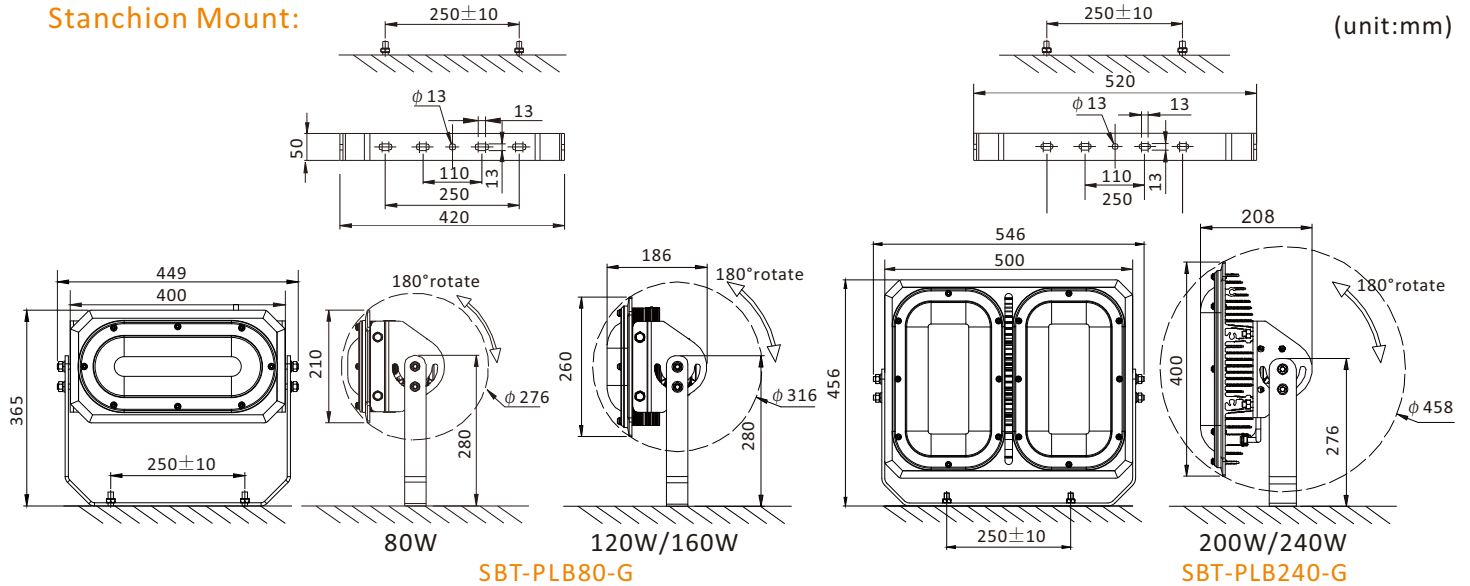


CE RoHS

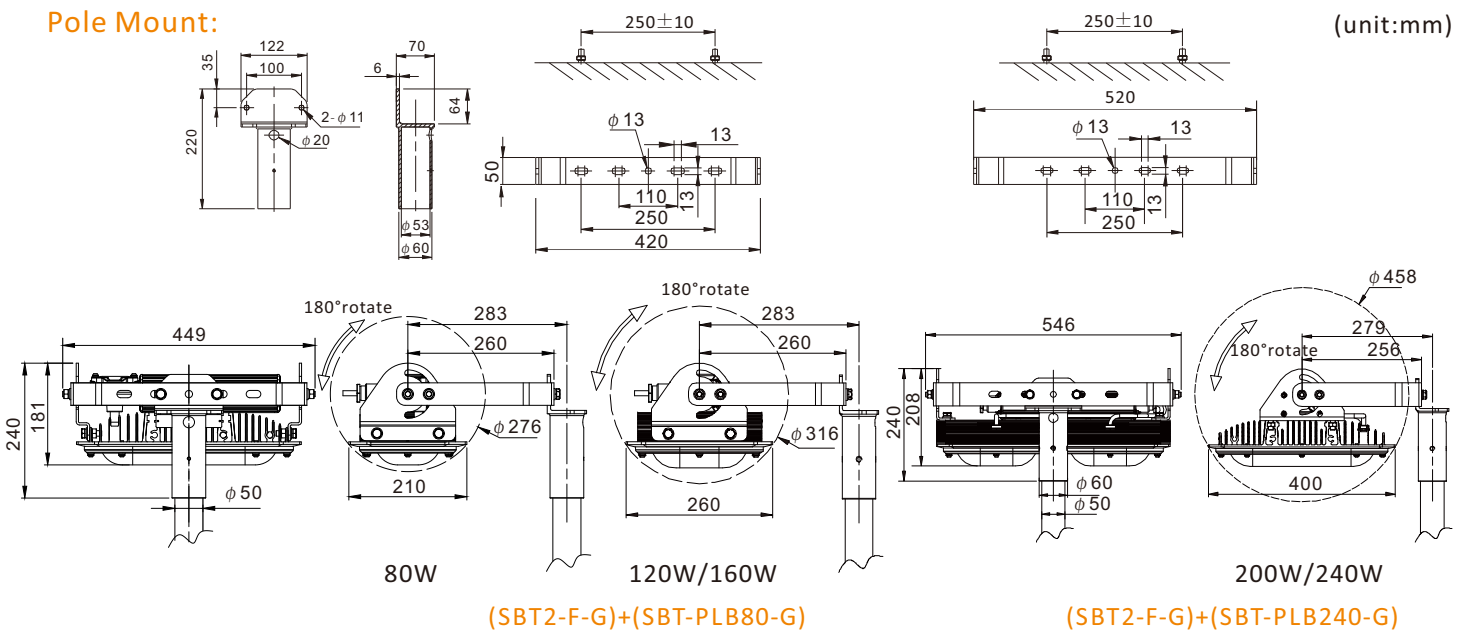
CE & RoHS Certified LED Floodlight/bay light/High bay light in Industrial Area.

Installation Method

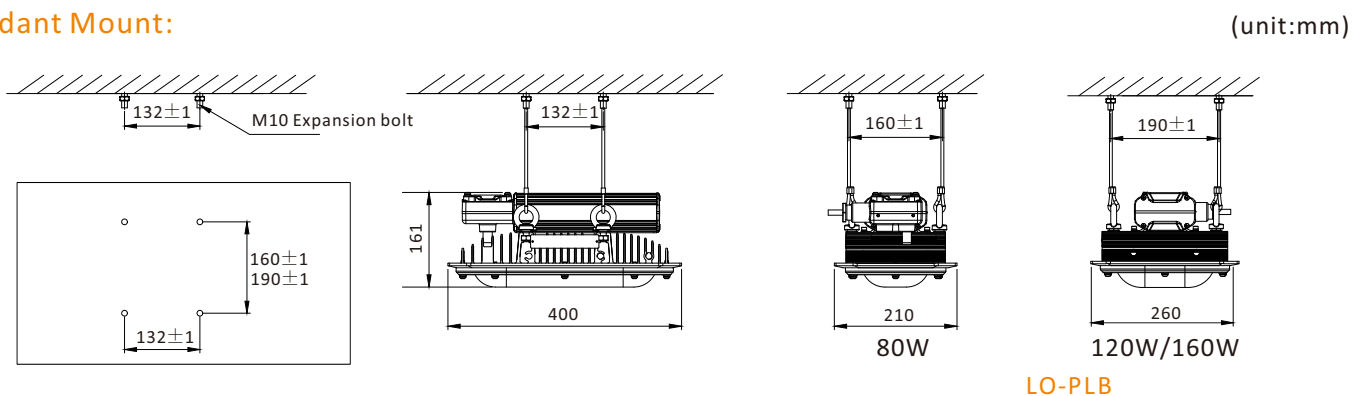
Stanchion Mount:



Pole Mount:



Pendant Mount:



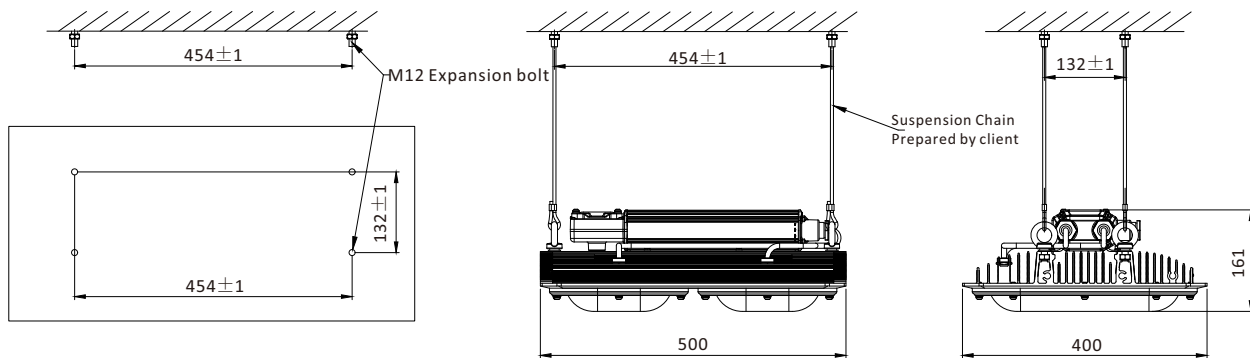
CE RoHS

CE & RoHS Certified LED Floodlight/bay light/High bay light in Industrial Area.

Installation Method

Pendant Mount:

(unit:mm)

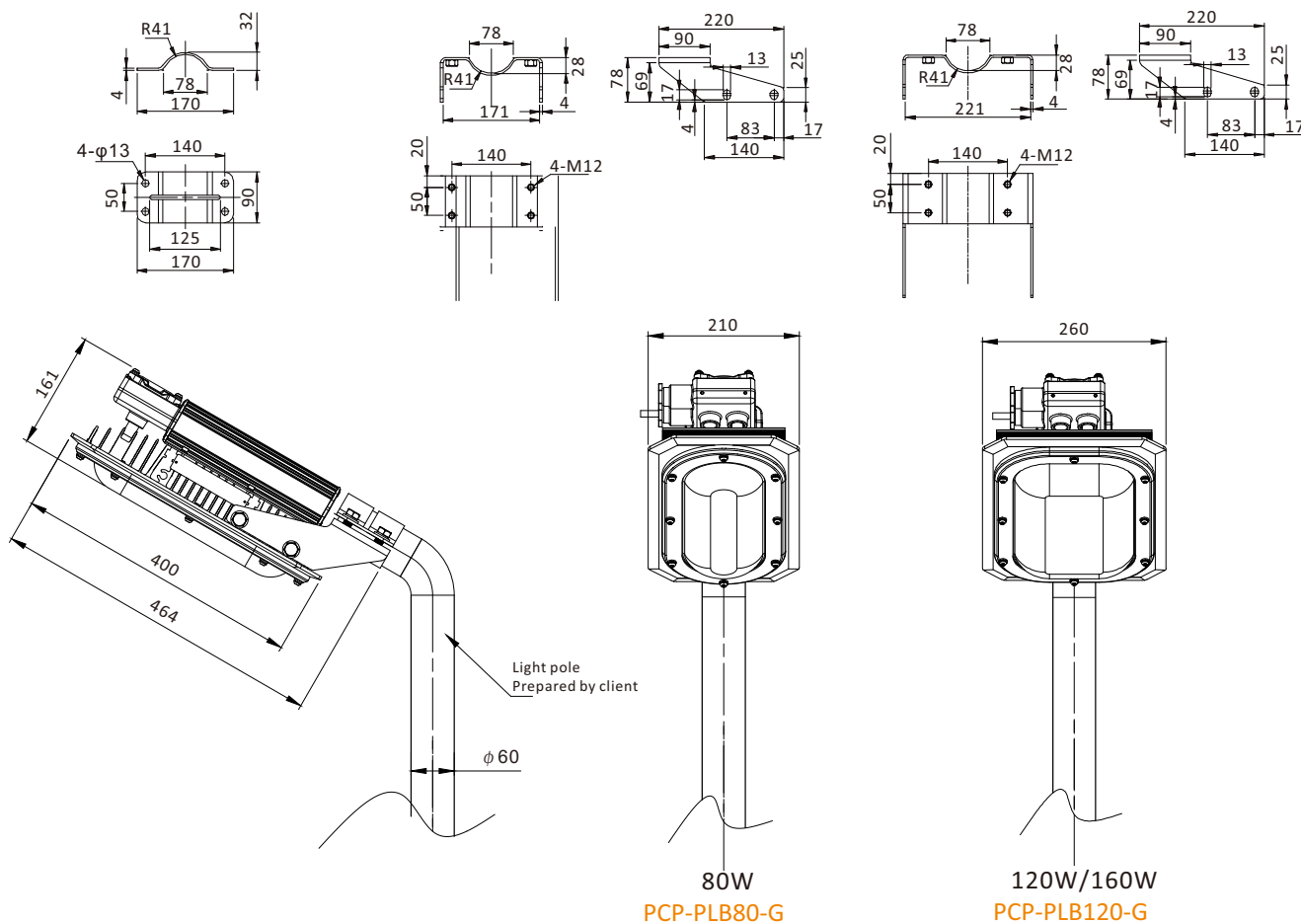


200W/240W

LO-PLB

Pipe Clamp:

(unit:mm)



80W

PCP-PLB80-G







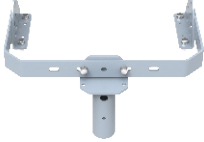

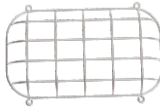
120W/160W

PCP-PLB120-G

CE RoHS

CE & RoHS Certified LED Floodlight/bay light/High bay light in Industrial Area.

Optional Parts

No.	Installation accessories	Part No.	Picture	Material	Weight(Kg)	QTY	Remark
1	Pipe clamp	PCP-PLB80-G		Q235	2.1	1	Pipe clamp (80W)
2	Pipe clamp	PCP-PLB120-G		Q235	2.3	1	Pipe clamp (120W/160W)
3	Loop	LO-PLB		SUS316	0.8	1	Pendant mount
4	Stanchion Bracket	SBT-PLB80-G		Q235	4	1	Wall mount Stanchion mount (80W/120W/160W)
5	Stanchion Bracket	SBT-PLB240-G		Q235	4.3	1	Wall mount Stanchion mount (200W/240W)
6	Stanchion Bracket2	SBT2-F-G SBT-PLB80-G		Q235	5.63	1	Pole mount (80W/120W/160W)
7	Stanchion Bracket2	SBT2-F-G SBT-PLB240-G		Q235	5.83	1	Pole mount (200W/240W)
8	Guard-1	GU-PLB80-MC		SUS304	0.3	1	(80W)
9	Guard-2	GU-PLB120-MC		SUS304	0.35	1	(120W/160W)
		GU-PLB240-MC			0.7	1	(200W/240W)