

LED Industrial Light

**CE & RoHS Certified LED Floodlight/bay light
High bay light in Industrial Area.
SeaLion Series**

RoHS

www.khjled.com



Features And Benefits:

- High efficacy LED Source with long lifespan >50,000 hours
- 5-year performance warranty
- Low THD around 10%, Less interference
- 5KV Surge Protection
- Robust aluminium housing and strong tempered glass
- Vibration and shock resistant
- Low maintenance

Applications:



Cement plants



Warehouse



Factory



Power Generation



Power Transmission



Shipping industry

CE RoHS

CE & RoHS Certified LED Floodlight/bay light/High bay light in Industrial Area.

LED Floodlight/bay light/High bay light

Standard & Certificate:

Certificate:	• CE	• RoHS
Executive Standard:	<ul style="list-style-type: none"> • EN 55015, EN 61547, EN 61000-3-2, EN 61000-3-3, • EN 60598-1, EN 60598-2-5, EN 62031, EN 62493, • IEC 62321-4, IEC 62321-5, IEC 62321-6, • IEC 62321-7-1, IEC 62321-7-2, IEC 62321-8 	

Electrical & Photometric Features:

Luminaire Efficacy:	136.5lm/W
Lifespan:	>50,000 hours
Operating Voltage:	20-30 VAC/100-277 VAC/347-480 VAC 20-30 VDC/28-42 VDC/141-392 VDC/491-679 VDC
Power:	30W/45W/60W/80W/100W/120W/150W/200W/240W/300W
Frequency:	50/60Hz
Power Factor:	>0.98
THD:	<10%
Insulation Class:	I
Surge Protection:	4KV/Line-Line 6KV/Line-Earth
LED Driver:	Over voltage protection/short circuit protection

Mechanical Features:

Weight:	8.5Kg(30-80W)/11Kg(100-150W)/14Kg(200-300W)
Size:	φ 275*195mm(30-80W)/ φ 330*197mm(100-150W) φ 415*197mm(200-300W)
Ambient Temperature:	-40°C-+55°C
Connecting Terminals:	3*1.0-4.0mm ² (L+N+PE)
Cable Entries:	2XM25*1.5 (M20*1.5, NPT 3/4" are optional)
Earthing Protection:	M4 (Internal & external earth bolts)
IP Code:	IP66
Enclosure Material:	Die-casting aluminium alloy
Enclosure Colour:	Grey RAL7040
Coating:	Epoxy powder coating
Exposed Fastener:	Stainless steel
Protective Cover:	Tempered glass, Stand 7J impact

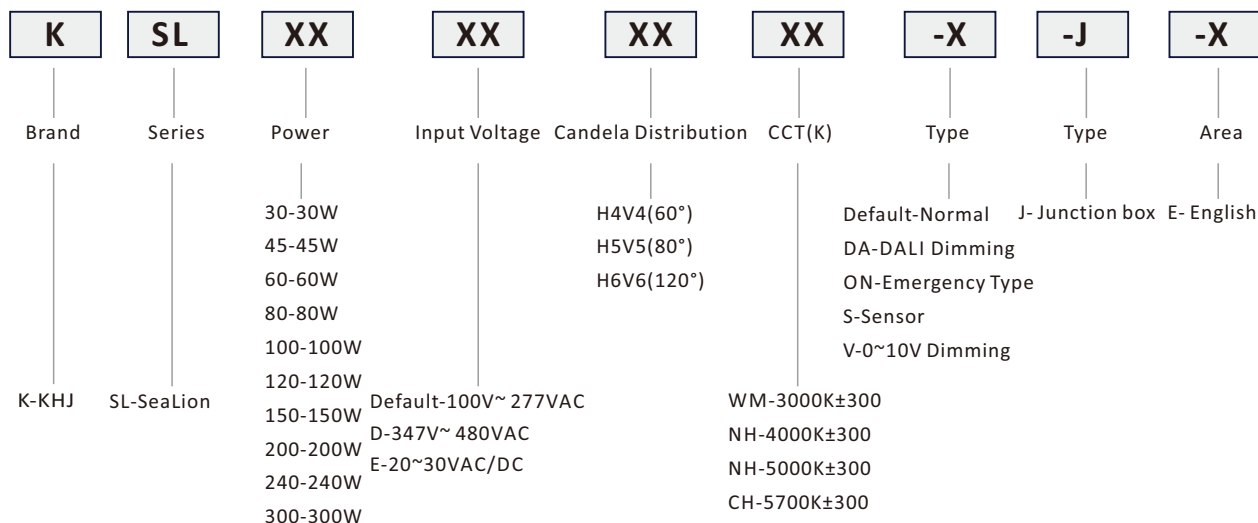
Product Differentiation

Rated Power	Operating Voltage:			Ambient Temperature		Emergency optional
	100-277VAC	347-480VAC	20-30VAC/DC	-40°C-+55°C	-40°C-+65°C	-20°C-+55°C
30W	●	/	/	●	●	●
45W	●	/	/	●	●	●
60W	●	●	/	●	●	●
80W	●	●	/	●	/	●
100W	●	●	●	●	●	●
120W	●	●	●	●	●	●
150W	●	●	●	●	/	●
200W	●	●	/	●	/	●
240W	●	●	/	●	/	●
300W	●	/	/	●	/	/

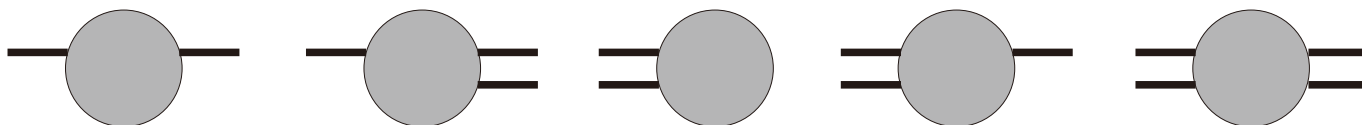
CE RoHS

CE & RoHS Certified LED Floodlight/bay light/High bay light in Industrial Area.

Production Definition



Entry Type



Remark: 300W is only available with the cable entry at one side

Ordering Information

P/N	Operating Voltage(V)	Luminous Flux(lm)	Power	CRI	Color Temp.	CCT(K)
KSL30*WM-J-E	100~277 AC (141~392 DC)	3795	30	70	Warm white	3000±300
KSL30*NH-J-E		4095	30	70	Natural white	4000±300
KSL30*NH-J-E		4095	30	70	Natural white	5000±300
KSL30*CH-J-E		4095	30	70	Cool white	5700±300
KSL45*WM-J-E		5693	45	70	Warm white	3000±300
KSL45*NH-J-E		6143	45	70	Natural white	4000±300
KSL45*NH-J-E		6143	45	70	Natural white	5000±300
KSL45*CH-J-E		6143	45	70	Cool white	5700±300
KSL60*WM-J-E		7590	60	70	Warm white	3000±300
KSL60*NH-J-E		8190	60	70	Natural white	4000±300
KSL60*NH-J-E		8190	60	70	Natural white	5000±300
KSL60*CH-J-E		8190	60	70	Cool white	5700±300
KSL80*WM-J-E		10120	80	70	Warm white	3000±300
KSL80*NH-J-E		10920	80	70	Natural white	4000±300
KSL80*NH-J-E		10920	80	70	Natural white	5000±300
KSL80*CH-J-E		10920	80	70	Cool white	5700±300

CE RoHS

CE & RoHS Certified LED Floodlight/bay light/High bay light in Industrial Area.

Ordering Information

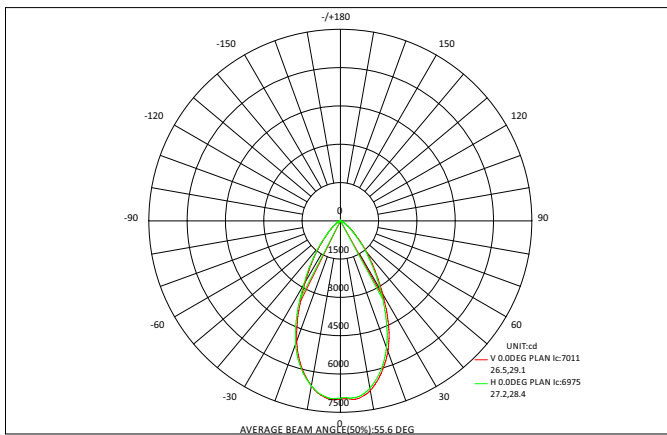
P/N	Operating Voltage(V)	Luminous Flux(lm)	Power	CRI	Color Temp.	CCT(K)
KSL100*WM-J-E	100~277 AC (141~392 DC)	12650	100	70	Warm white	3000±300
KSL100*NH-J-E		13650	100	70	Natural white	4000±300
KSL100*NH-J-E		13650	100	70	Natural white	5000±300
KSL100*CH-J-E		13650	100	70	Cool white	5700±300
KSL120*WM-J-E		15180	120	70	Warm white	3000±300
KSL120*NH-J-E		16380	120	70	Natural white	4000±300
KSL120*NH-J-E		16380	120	70	Natural white	5000±300
KSL120*CH-J-E		16380	120	70	Cool white	5700±300
KSL150*WM-J-E		18975	150	70	Warm white	3000±300
KSL150*NH-J-E		20475	150	70	Natural white	4000±300
KSL150*NH-J-E		20475	150	70	Natural white	5000±300
KSL150*CH-J-E		20475	150	70	Cool white	5700±300
KSL200*WM-J-E		25300	200	70	Warm white	3000±300
KSL200*NH-J-E		27300	200	70	Natural white	4000±300
KSL200*NH-J-E		27300	200	70	Natural white	5000±300
KSL200*CH-J-E		27300	200	70	Cool white	5700±300
KSL240*WM-J-E		30360	240	70	Warm white	3000±300
KSL240*NH-J-E		32760	240	70	Natural white	4000±300
KSL240*NH-J-E		32760	240	70	Natural white	5000±300
KSL240*CH-J-E		32760	240	70	Cool white	5700±300
KSL300*WM-J-E	37950	300	70	Warm white	3000±300	
KSL300*NH-J-E	40950	300	70	Natural white	4000±300	
KSL300*NH-J-E	40950	300	70	Natural white	5000±300	
KSL300*CH-J-E	40950	300	70	Cool white	5700±300	

Remarks: 1.*Stands for beam angle , including H4V4 / H5V5 / H6V6 .
2.For beam angle H4V4 and H5V5,the luminous flux will be 15% less;

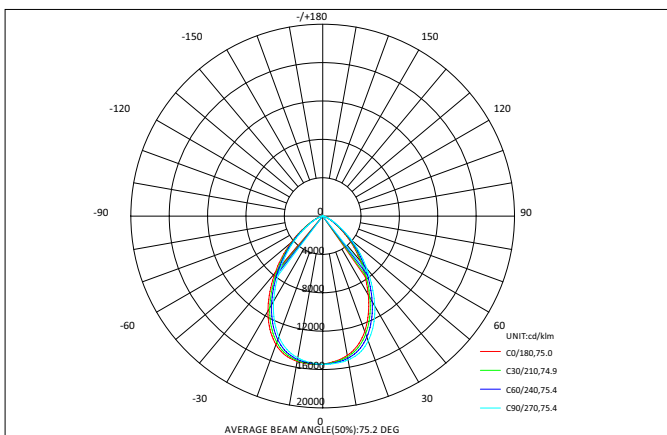
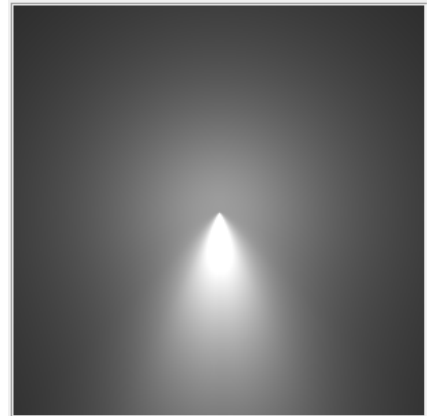
CE RoHS

CE & RoHS Certified LED Floodlight/bay light/High bay light in Industrial Area.

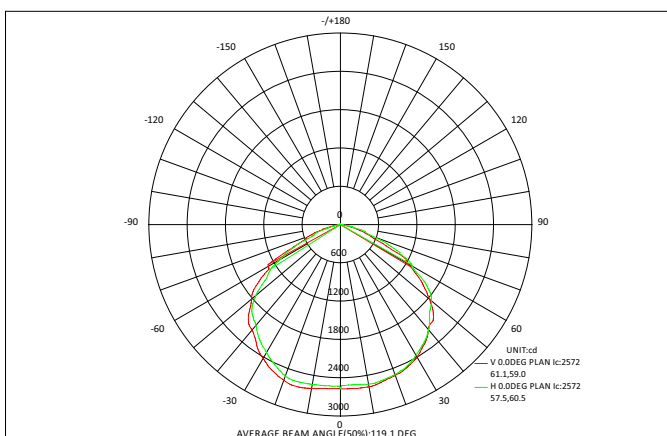
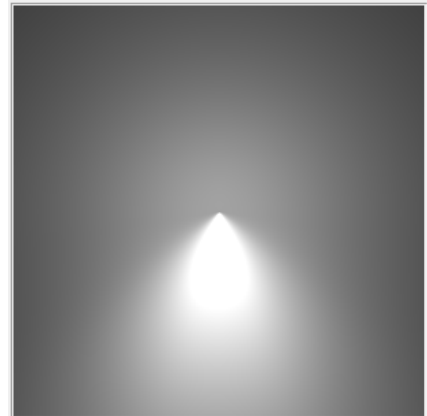
Candela Distribution



H4V4(60°)/High Efficacy LED Source



H5V5(80°)/High Efficacy LED Source



H6V6(120°)/High Efficacy LED Source



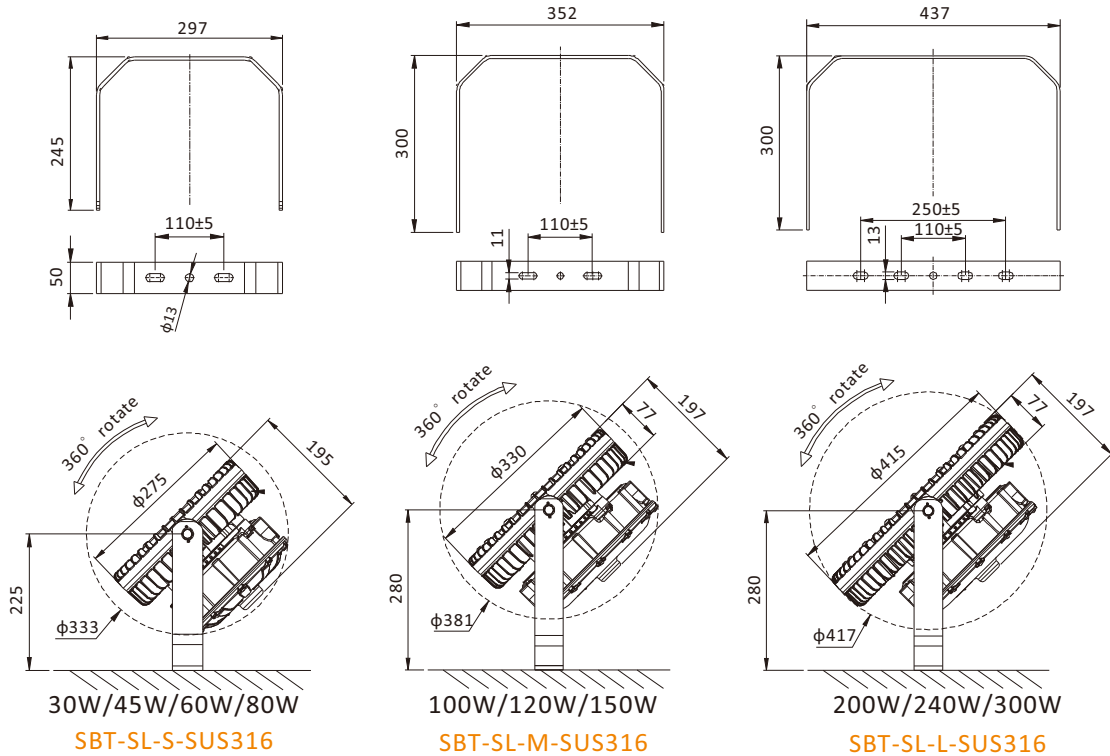
CE RoHS

CE & RoHS Certified LED Floodlight/bay light/High bay light in Industrial Area.

Installation Method

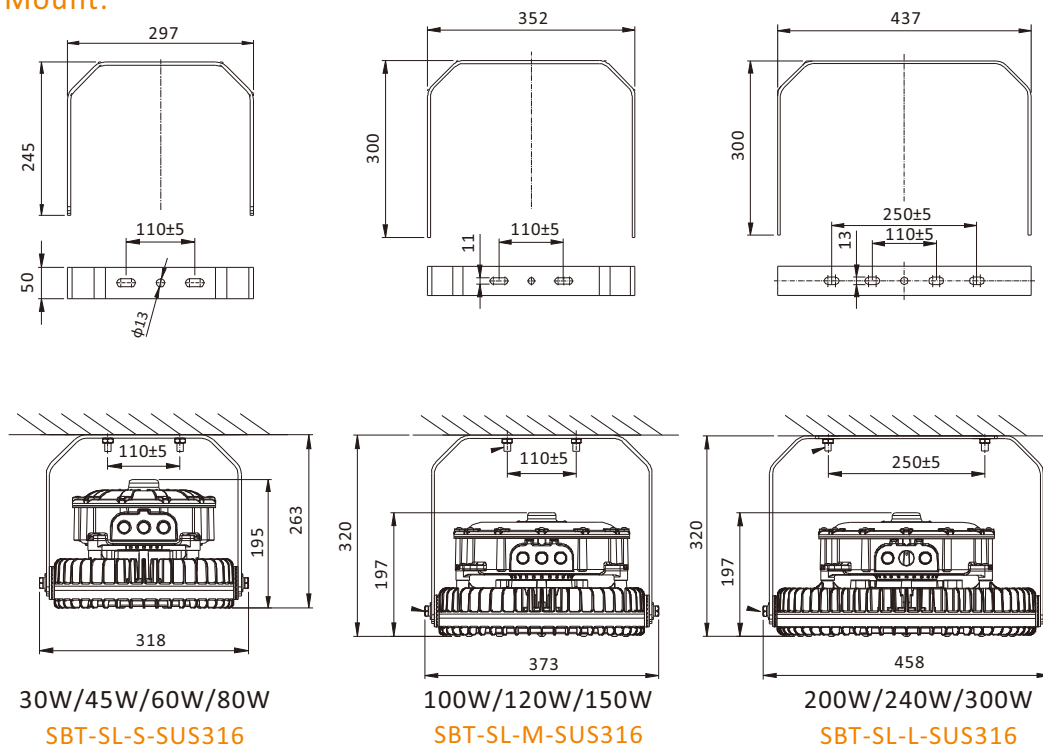
Stanchion Mount:

(unit:mm)



Ceiling Mount:

(unit:mm)



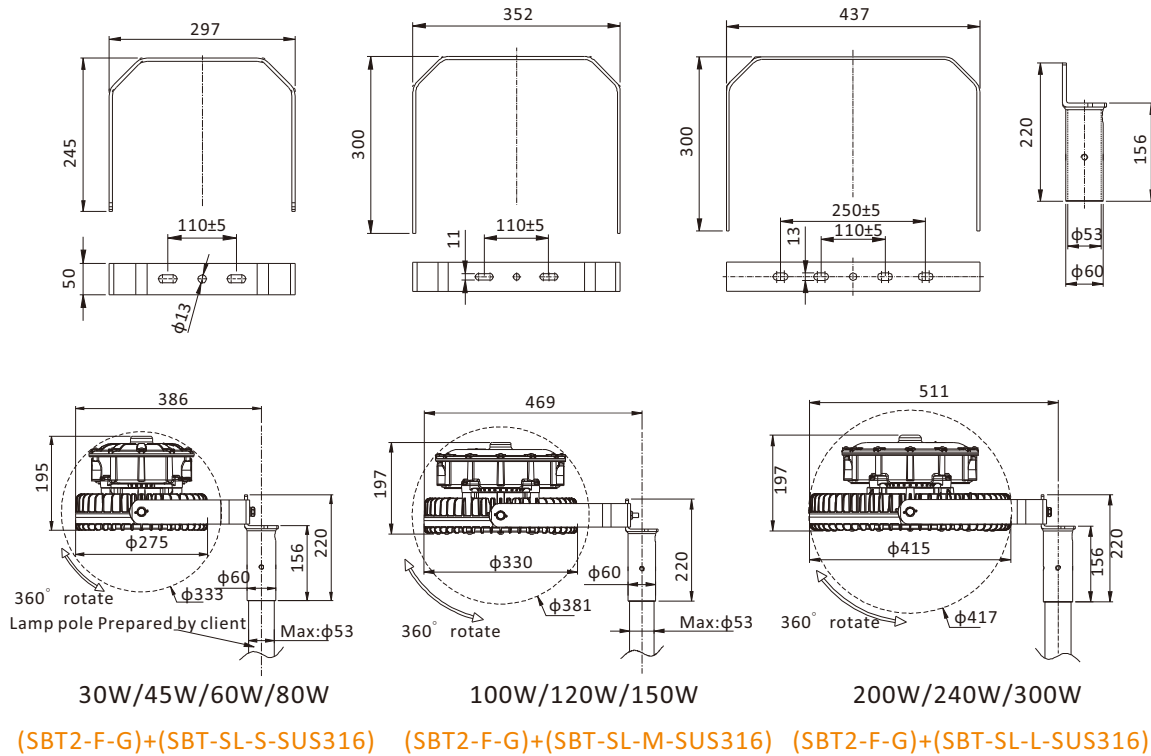
CE RoHS

CE & RoHS Certified LED Floodlight/bay light/High bay light in Industrial Area.

Installation Method

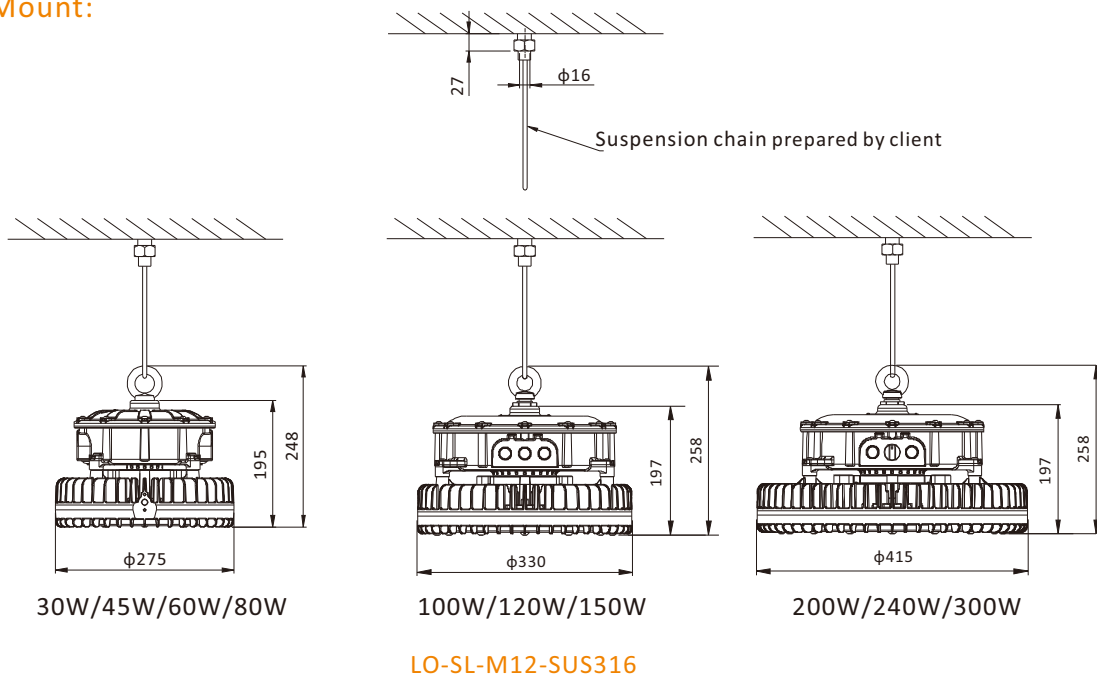
Pole Mount:

(unit:mm)



Pendant Mount:

(unit:mm)



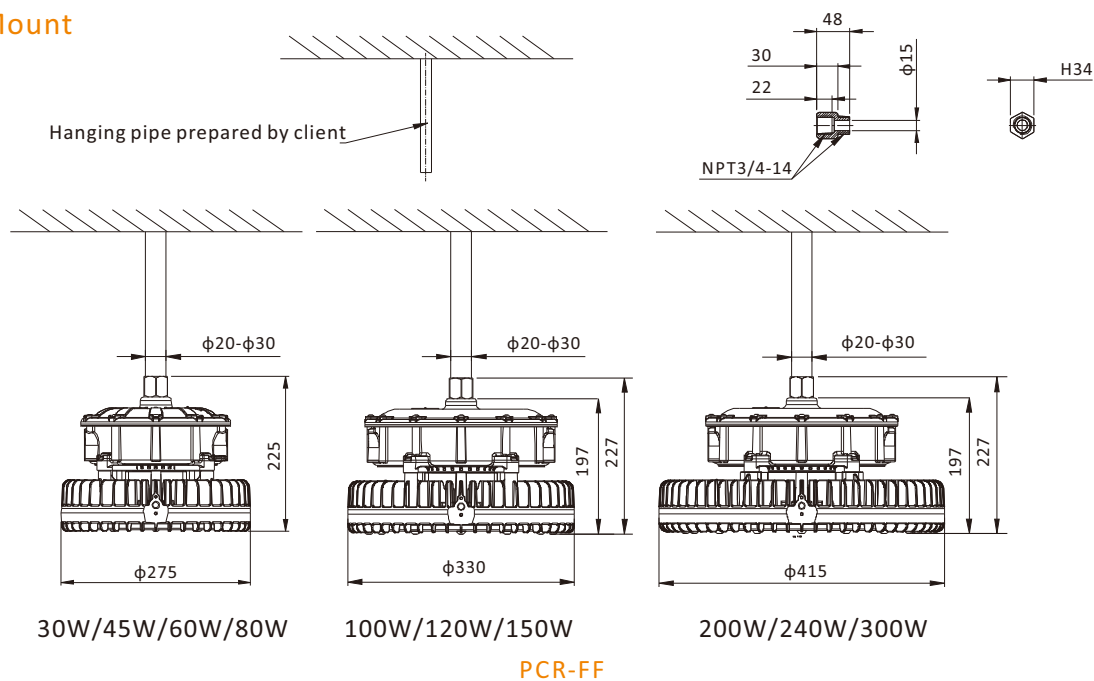
CE RoHS

CE & RoHS Certified LED Floodlight/bay light/High bay light in Industrial Area.

Installation Method

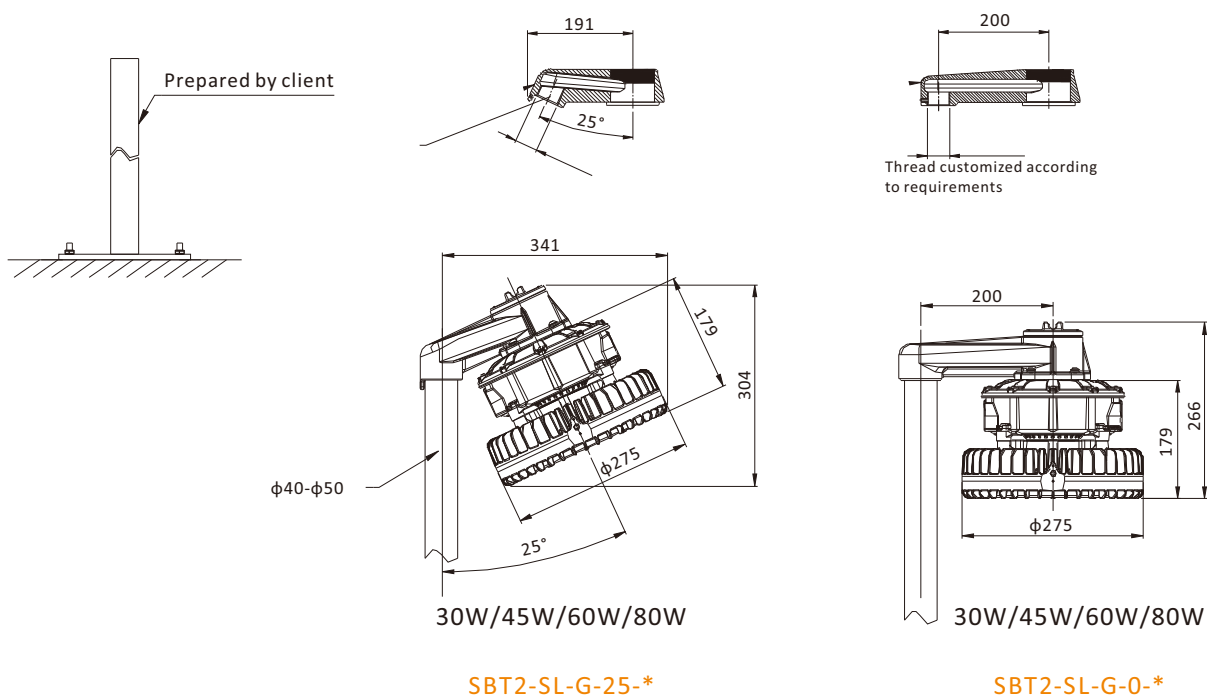
Pipe Mount

(unit:mm)



Pole Mount

(unit:mm)



CE RoHS

CE & RoHS Certified LED Floodlight/bay light/High bay light in Industrial Area.

Optional Parts

No.	Installation Accessories	Part No.	Picture	Material	Weight(Kg)	QTY	Remarks
1	Stanchion Bracket	SBT-SL-L-SUS316		SUS316	1.8	1	Ceiling Mount Stanchion Mount Wall Mount (200W/240W/300W)
2	Stanchion Bracket	SBT-SL-M-SUS316		SUS316	1.5	1	Ceiling Mount Stanchion Mount Wall Mount (100W/120W/150W)
3	Stanchion Bracket	SBT-SL-S-SUS316		SUS316	1.3	1	Ceiling Mount Stanchion Mount Wall Mount (30W/45W/60W/80W)
4	Loop	LO-SL-M12-SUS316		SUS316	0.26	1	Pendant Mount
5	Pipe Connector	PCR-FF-N PCR-FF-M		SUS304	0.28	1	Pipe Mount
6	25° Pole Mount Bracket	SBT2-SL-G-25-*		ADC12	1.14	1	Pole Mount (30W/45W/60W/80W)
7	0° Pole Mount Bracket	SBT2-SL-G-0-*		ADC12	1.34	1	Pole Mount (30W/45W/60W/80W)
8	Pole Mount Bracket	(SBT2-F-G) +(SBT-SL-S-SUS316)		SUS316+Q235	3.56	1	Pole Mount (30W/45W/60W/80W)
9	Pole Mount Bracket	(SBT2-F-G) /(SBT-SL-M-SUS316)		Q235+SUS316	3.76	1	Pole Mount (100W/120W/150W)
10	Pole Mount Bracket	(SBT2-F-G) +(SBT-SL-L-SUS316)		SUS316+Q235	4.06	1	Pole Mount (200W/240W/300W)