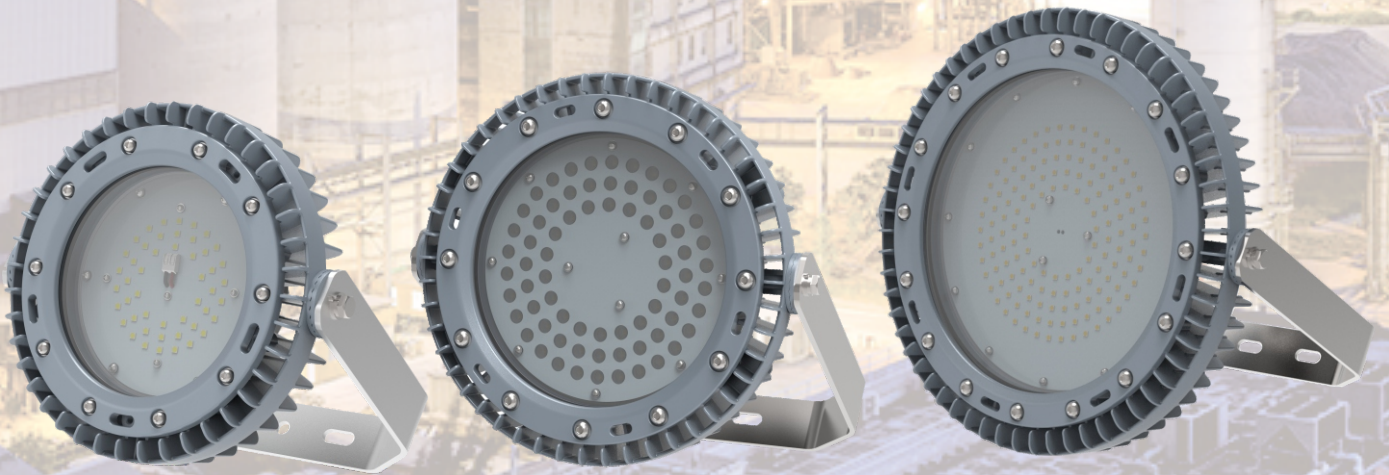




SeaLion Series



## LED Industrial Light

**CE & RoHS Certified LED Floodlight/bay light  
High bay light in Industrial Area.  
SeaLion Series**

**CE RoHS**

[www.khjled.com](http://www.khjled.com)



## Features And Benefits:

- High efficacy LED Source with long lifespan >50,000 hours
- 5-year performance warranty
- Low THD around 10%, Less interference
- 4KV/Line-Line 6KV/Line-Earth Surge Protection
- Robust aluminium housing and strong tempered glass
- Vibration and shock resistant
- Low maintenance

## Applications:



Cement plants



Warehouse



Factory



Power Generation



Power Transmission



Shipping industry

# CE RoHS

CE & RoHS Certified LED Floodlight/bay light/High bay light in Industrial Area.

## LED Floodlight/bay light/High bay light

### Standard & Certificate:

Certificate:	• CE	• RoHS
Executive Standard:	<ul style="list-style-type: none"> <li>• EN 55015, EN 61547, EN 61000-3-2, EN 61000-3-3</li> <li>• EN 60598-1, EN 60598-2-5, EN 62031, EN 62493</li> <li>• IEC 62321-4, IEC 62321-5, IEC 62321-6, IEC 62321-7-1,</li> <li>• IEC 62321-7-2, IEC 62321-8</li> </ul>	

### Electrical & Photometric Features:

Luminaire Efficacy:	136.5lm/W
Lifespan:	>50,000 hours
Operating Voltage:	100-277 VAC/347-480 VAC 141-392 VDC/491-679 VDC
Power:	45W/60W/80W/100W/120W/150W/200W/240W/300W
Frequency:	50/60Hz
Power Factor:	>0.98
THD:	<10%
Insulation Class:	I
Surge Protection:	4KV/Line-Line 6KV/Line-Earth
LED Driver:	Over voltage protection/short circuit protection

### Mechanical Features:

Weight:	6.5Kg(45-100W);8.6Kg(120-150W);12.3Kg(200-300W)
Size:	φ 275*157mm(45-100W); φ 330*157mm(120-150W); φ 415*168mm(200-300W)
Ambient Temperature:	-40°C-+55°C
Cable Entries:	1XM16*1.5
Earthing Protection:	M4 (Internal & external earth bolts)
IP Code:	IP66
Enclosure Material:	Die-casting aluminium alloy
Enclosure Colour:	Grey RAL7040
Coating:	Epoxy powder coating
Exposed Fastener:	Stainless steel
Protective Cover:	Tempered glass,Stand 7J impact

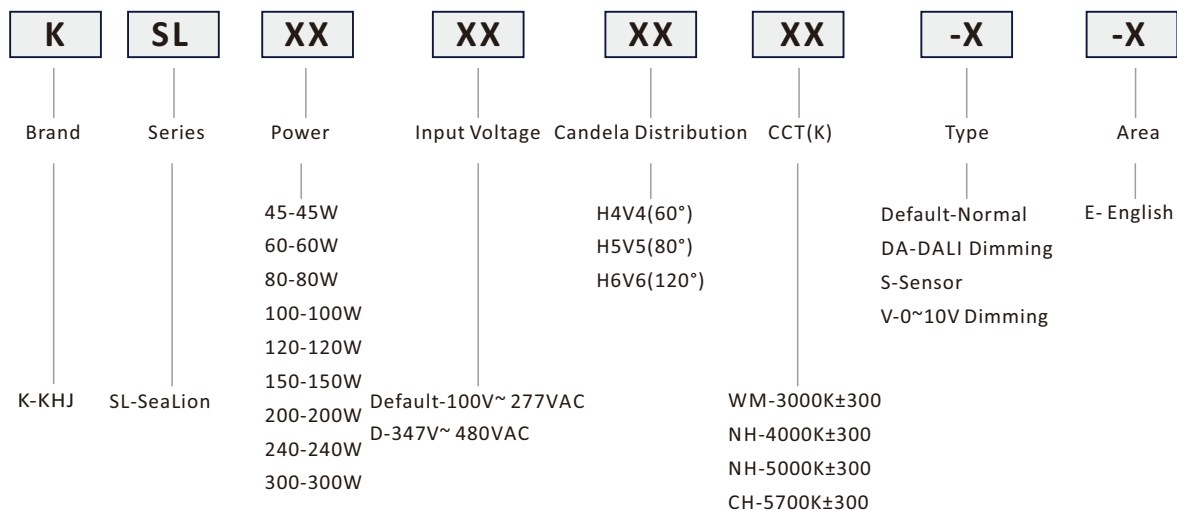
### Product Differentiation

Rated Power	Operating Voltage		Ambient Temperature -40°C-+55°C
	100-277VAC	347-480VAC	
45W	●	/	●
60W	●	/	●
80W	●	/	●
100W	●	●	●
120W	●	/	●
150W	●	●	●
200W	●	/	●
240W	●	●	●
300W	●	/	●

# CE RoHS

CE & RoHS Certified LED Floodlight/bay light/High bay light in Industrial Area.

## Production Definition



## Ordering Information

P/N	Operating Voltage(V)	Luminous Flux(lm)	Power	CRI	Color Temp.	CCT(K)
KSL45*WM-E	100~277 AC (141~392 DC)	5693	45	70	Warm white	3000±300
KSL45*NH-E		6143	45	70	Natural white	4000±300
KSL45*NH-E		6143	45	70	Natural white	5000±300
KSL45*CH-E		6143	45	70	Cool white	5700±300
KSL60*WM-E		7590	60	70	Warm white	3000±300
KSL60*NH-E		8190	60	70	Natural white	4000±300
KSL60*NH-E		8190	60	70	Natural white	5000±300
KSL60*CH-E		8190	60	70	Cool white	5700±300
KSL80*WM-E		10120	80	70	Warm white	3000±300
KSL80*NH-E		10920	80	70	Natural white	4000±300
KSL80*NH-E		10920	80	70	Natural white	5000±300
KSL80*CH-E		10920	80	70	Cool white	5700±300

# CE RoHS

CE & RoHS Certified LED Floodlight/bay light/High bay light in Industrial Area.

## Ordering Information

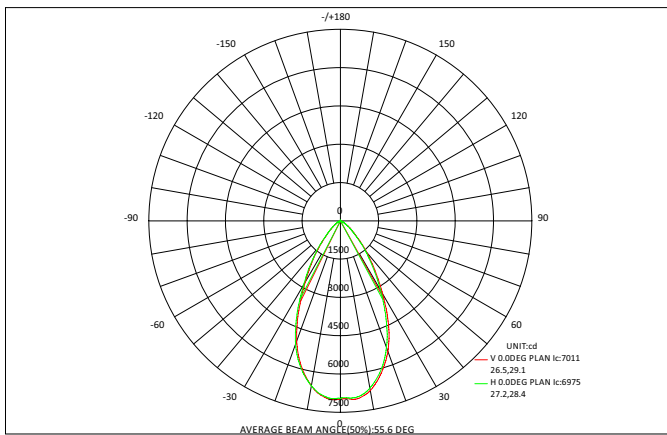
P/N	Operating Voltage(V)	Luminous Flux(lm)	Power	CRI	Color Temp.	CCT(K)
KSL100*WM-E	100~277 AC (141~392 DC)	12650	100	70	Warm white	3000±300
KSL100*NH-E		13650	100	70	Natural white	4000±300
KSL100*NH-E		13650	100	70	Natural white	5000±300
KSL100*CH-E		13650	100	70	Cool white	5700±300
KSL120*WM-E		15180	120	70	Warm white	3000±300
KSL120*NH-E		16380	120	70	Natural white	4000±300
KSL120*NH-E		16380	120	70	Natural white	5000±300
KSL120*CH-E		16380	120	70	Cool white	5700±300
KSL150*WM-E		18975	150	70	Warm white	3000±300
KSL150*NH-E		20475	150	70	Natural white	4000±300
KSL150*NH-E		20475	150	70	Natural white	5000±300
KSL150*CH-E		20475	150	70	Cool white	5700±300
KSL200*WM-E		25300	200	70	Warm white	3000±300
KSL200*NH-E		27300	200	70	Natural white	4000±300
KSL200*NH-E		27300	200	70	Natural white	5000±300
KSL200*CH-E		27300	200	70	Cool white	5700±300
KSL240*WM-E		30360	240	70	Warm white	3000±300
KSL240*NH-E		32760	240	70	Natural white	4000±300
KSL240*NH-E		32760	240	70	Natural white	5000±300
KSL240*CH-E		32760	240	70	Cool white	5700±300
KSL300*WM-E		37950	300	70	Warm white	3000±300
KSL300*NH-E	40950	300	70	Natural white	4000±300	
KSL300*NH-E	40950	300	70	Natural white	5000±300	
KSL300*CH-E	40950	300	70	Cool white	5700±300	

Remarks: 1.\*Stands for beam angle, including H4V4 / H5V5 / H6V6 .  
2.For beam angle H4V4 and H5V5,the luminous flux will be 15% less;

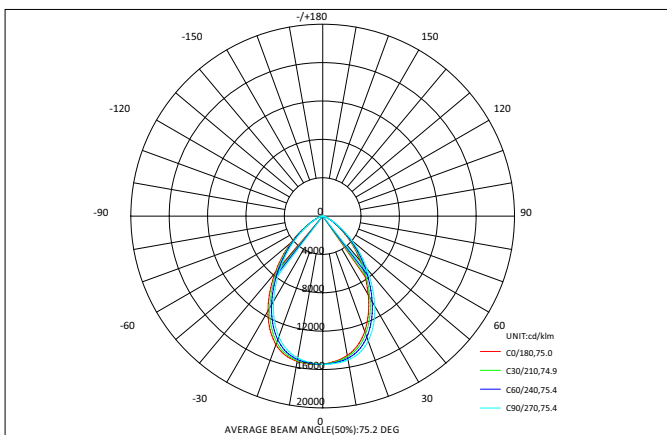
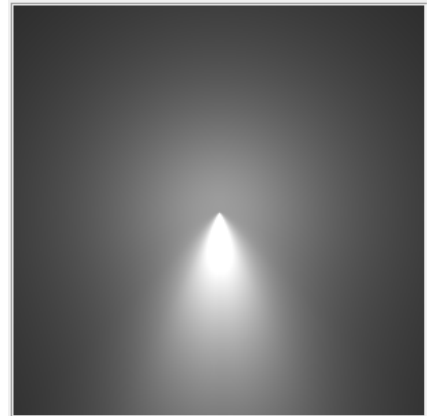
# CE RoHS

CE & RoHS Certified LED Floodlight/bay light/High bay light in Industrial Area.

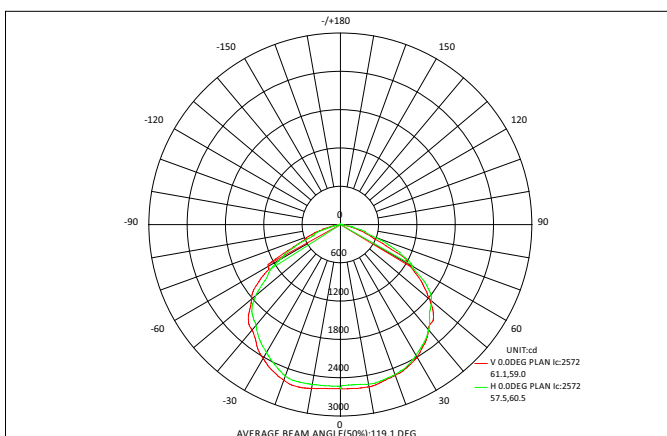
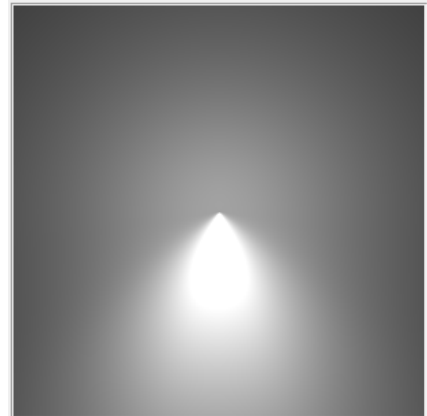
## Candela Distribution



H4V4(60°)/High Efficacy LED Source



H5V5(80°)/High Efficacy LED Source



H6V6(120°)/High Efficacy LED Source



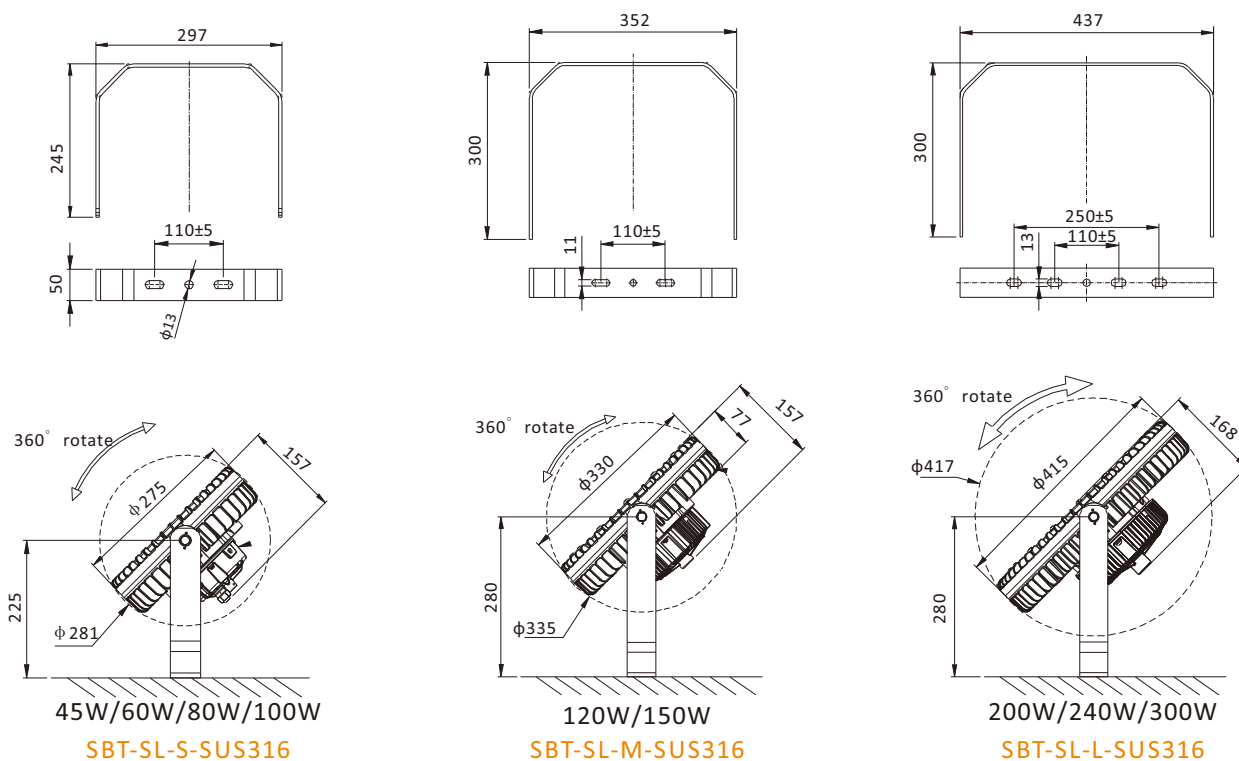
# CE RoHS

CE & RoHS Certified LED Floodlight/bay light/High bay light in Industrial Area.

## Installation Method

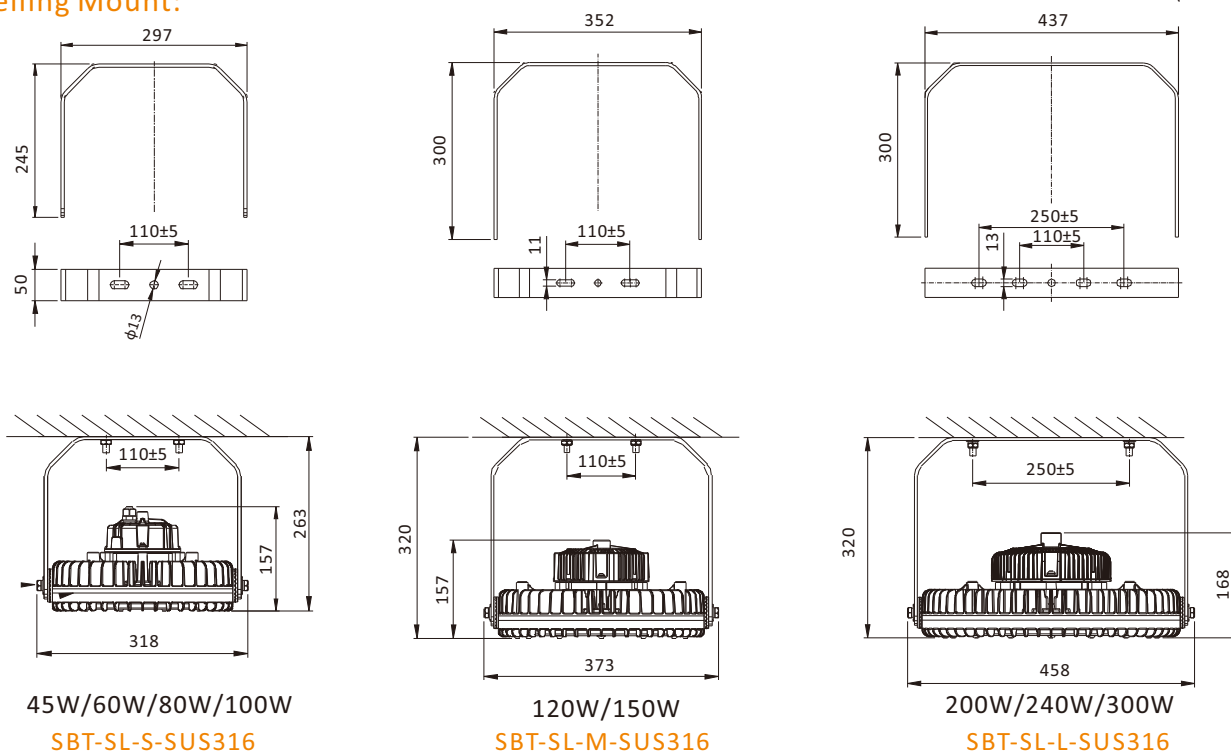
### Stanchion Mount:

(unit:mm)



### Ceiling Mount:

(unit:mm)



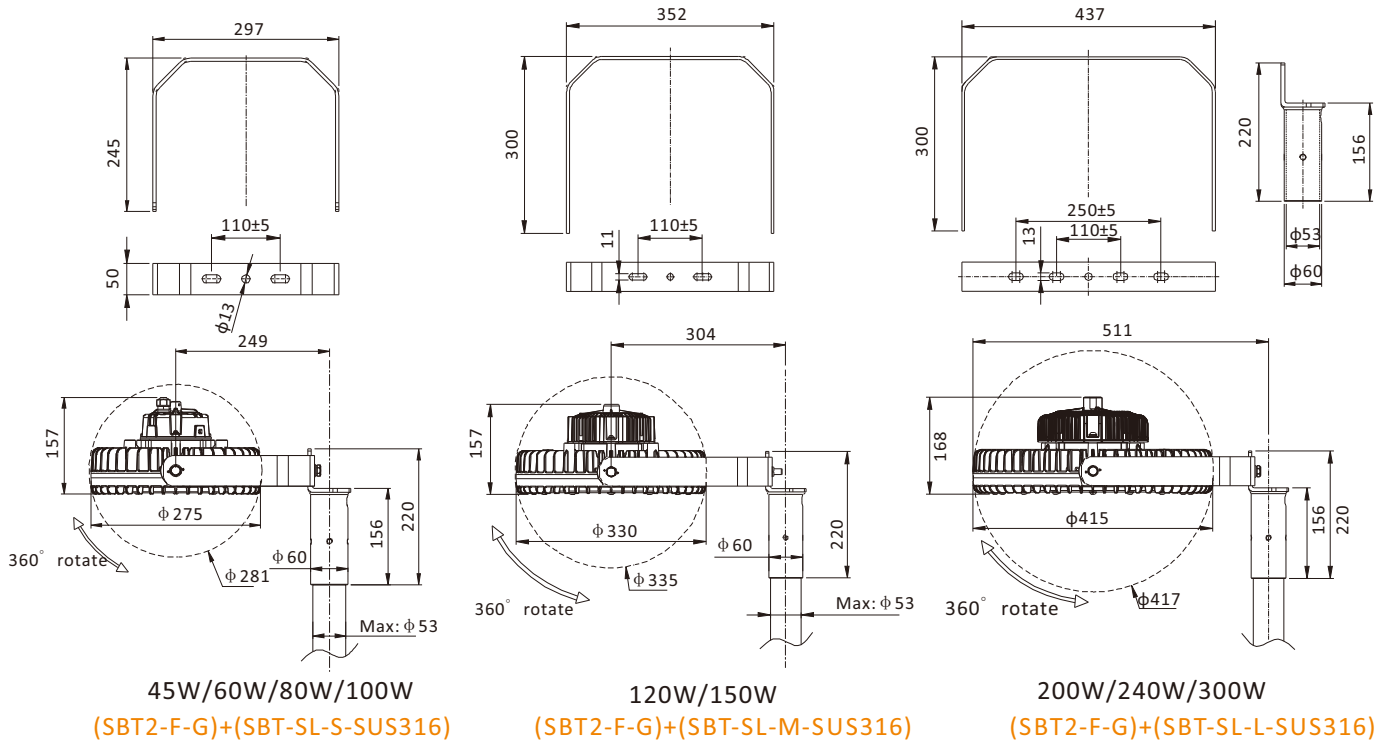
# CE RoHS

CE & RoHS Certified LED Floodlight/bay light/High bay light in Industrial Area.

## Installation Method

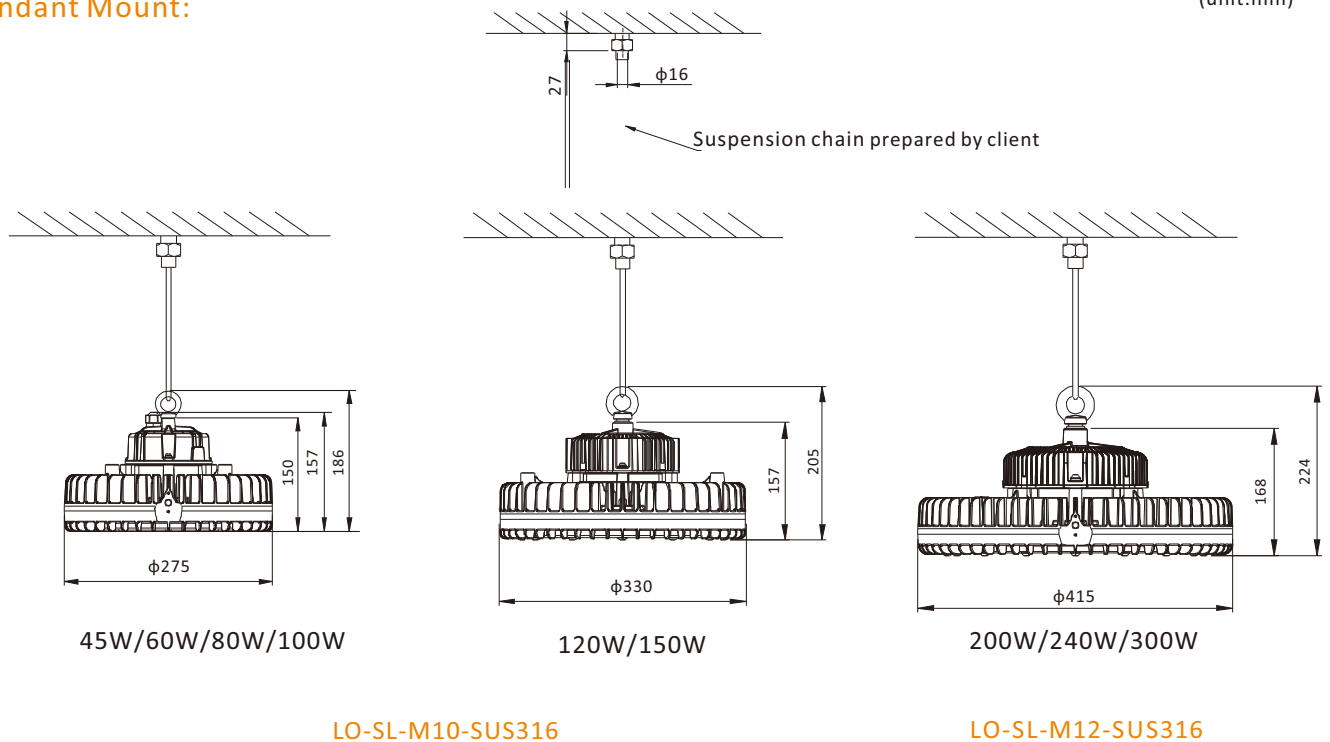
### Pole Mount:

(unit:mm)



### Pendant Mount:

(unit:mm)





# CE RoHS

CE & RoHS Certified LED Floodlight/bay light/High bay light in Industrial Area.

## Optional Parts

No.	Installation Accessories	Part No.	Picture	Material	Weight(Kg)	QTY	Remarks
1	Stanchion Bracket	SBT-SL-L-SUS316		SUS316	1.8	1	Ceiling Mount Stanchion Mount Wall Mount (200W/240W/300W)
2	Stanchion Bracket	SBT-SL-M-SUS316		SUS316	1.5	1	Ceiling Mount Stanchion Mount Wall Mount (120W/150W)
3	Stanchion Bracket	SBT-SL-S-SUS316		SUS316	1.3	1	Ceiling Mount Stanchion Mount Wall Mount (45W/60W/80W/100W)
4	Loop	LO-SL-M10-SUS316		SUS316	0.25	1	Pendant Mount (45W/60W/80W/100W) (120W/150W)
		LO-SL-M12-SUS316		SUS316	0.26	1	Pendant Mount (200W/240W/300W)
5	Pole Mount Bracket	(SBT2-F-G) +(SBT-SL-S-SUS316)		SUS316+Q235	3.56	1	Pole Mount (45W/60W/80W/100W)
6	Pole Mount Bracket	(SBT2-F-G) /(SBT-SL-M-SUS316)		Q235+SUS316	3.76	1	Pole Mount (120W/150W)
7	Pole Mount Bracket	(SBT2-F-G) +(SBT-SL-L-SUS316)		SUS316+Q235	4.06	1	Pole Mount (200W/240W/300W)