



Tank Series



LED Industrial Light

**CE & RoHS Certified LED Floodlight Light in Industrial Area.
Tank Series**

CE RoHS

www.khjled.com



Features And Benefits:

- High efficacy LED Source with long lifespan >100,000 hours
- 5-year performance warranty
- Low THD around 10%, Less interference
- 6KV Surge Protection
- Robust aluminium housing and strong tempered glass
- Vibration and shock resistant
- Low maintenance
- Dust proof structure design to avoid dust accumulation

Applications:



Cement plants



Warehouse



Factory



Power Generation



Power Transmission



Shipping industry

CE RoHS

CE & RoHS Certified LED Floodlight in Industrial Area.

LED Floodlight

Standard & Certificate:

Certificate:	• CE • RoHS
Executive Standard:	• EN 55015, EN 61547, EN 61000-3-2, EN 61000-3-3 • EN 60598-1, EN 60598-2-5, EN 62031, EN 62493 • IEC 62321-4, IEC 62321-5, IEC 62321-6 • IEC 62321-7-1, IEC 62321-7-2, IEC 62321-8

Electrical & Photometric Features:

Luminaire Efficacy:	Max:152lm/W
Lifespan:	>50,000 hours
Operating Voltage:	Normal 100-277 VAC,20-30 VAC,347-480 VAC,141-391VDC,491-679 VDC
	Emergency 220-240 VAC,311-339VDC
Power:	Normal 80W/100W/120W(Single lamp),160W/200W/240W(Two lamps), 240W/300W/360W(Three lamps),320W/400W/480W(Four lamps)
	Emergency 10W
Frequency:	50/60Hz
Battery Capacity:	9.6V 4Ah
Battery Type:	NI-MH
Battery Lifespan:	500 cycles
Light Duration:	3h
Charge Time:	> 24h
Power Factor:	> 0.98
THD:	< 10%
Insulation Class:	I
Surge Protection:	4KV/6KV
LED Driver:	Over voltage protection/short circuit protection

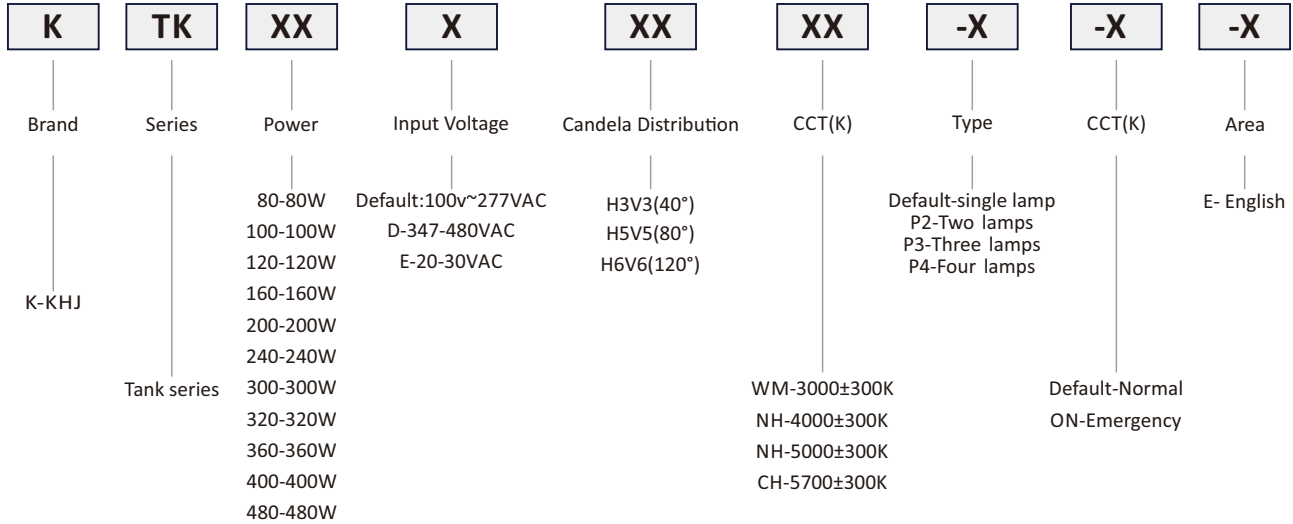
Mechanical Features:

Weight:	8.3Kg(80W~120W)/17Kg(160W~240W)/26Kg(240W~360W)/36kg(320W~480W)
Size:	332*212*142mm(80W~120W)/332*426*142mm(160W~240W) /332*640*142mm(240W~360W)/671*426*142mm(320W~480W)
Ambient Temperature:	-40°C~+55°C (Normal) ; -20°C~+55°C(Emergency)
Connecting Terminals:	3*1.0-4.0mm ² (L+N+PE)
Cable Entries:	2XM20*1.5 (NPT 3/4", M25*1.5 are optional)
Earthing Protection:	M4 (Internal & external earth bolts)
IP Code:	IP66
Enclosure Material:	Aluminium
Enclosure Colour:	Grey RAL7040
Coating:	Epoxy powder coating
Exposed Fastener:	Stainless steel
Protective Cover:	Tempered glass,Stand 7J impact

CE RoHS

CE & RoHS Certified LED Floodlight in Industrial Area.

Production Definition



Ordering information

P/N	Operating Voltage(V)	Luminous Flux(lm)	Power(W)	CRI	Color Temp.	CCT(K)
KTK80**CH-E	100-277 VAC (141-392 VDC)	12107	80	70	Cool white	5700K±300K
KTK80**NH-E		12107		70	Natural white	5000K±300K
KTK80**NH-E		12107		70	Natural white	4000±300k
KTK80**WM-E		10896		70	Warm white	3000±300k
KTK100**CH-E		14954	100	70	Cool white	5700±300k
KTK100**NH-E		14954		70	Natural white	5000±300k
KTK100**NH-E		14954		70	Natural white	4000±300k
KTK100**WM-E		13458		70	Warm white	3000±300k
KTK120**CH-E		17310	120	70	Cool white	5700±300k
KTK120**NH-E		17310		70	Natural white	5000±300k
KTK120**NH-E		17310		70	Natural white	4000±300k
KTK120**WM-E		15579		70	Warm white	3000±300k
KTK160**CH-P2-E		22910	160	70	Cool white	5700K±300K
KTK160**NH-P2-E		22910		70	Natural white	5000K±300K
KTK160**NH-P2-E		22910		70	Natural white	4000±300k
KTK160**WM-P2-E		20619		70	Warm white	3000±300k
KTK200**CH-P2-E		29145	200	70	Cool white	5700±300k
KTK200**NH-P2-E		29145		70	Natural white	5000±300k
KTK200**NH-P2-E		29145		70	Natural white	4000±300k
KTK200**WM-P2-E		26230		70	Warm white	3000±300k
KTK240**CH-P2-E	34136	240	70	Cool white	5700±300k	
KTK240**NH-P2-E	34136		70	Natural white	5000±300k	
KTK240**NH-P2-E	34136		70	Natural white	4000±300k	
KTK240**WM-P2-E	30884		70	Warm white	3000±300k	

CE RoHS

CE & RoHS Certified LED Floodlight in Industrial Area.

P/N	Operating Voltage(V)	Luminous Flux(lm)	Power(W)	CRI	Color Temp.	CCT(K)
KTK240**CH-P3-E	100-277 VAC (141-392 VDC)	33520	240	70	Cool white	5700±300k
KTK240**NH-P3-E		33520		70	Natural white	5000±300k
KTK240**NH-P3-E		33520		70	Natural white	4000±300k
KTK240**WM-P3-E		30168		70	Warm white	3000±300k
KTK300**CH-P3-E		43500	300	70	Cool white	5700±300k
KTK300**NH-P3-E		43500		70	Natural white	5000±300k
KTK300**NH-P3-E		43500		70	Natural white	4000±300k
KTK300**WM-P3-E		31950		70	Warm white	3000±300k
KTK360**CH-P3-E		51120	360	70	Cool white	5700±300k
KTK360**NH-P3-E		51120		70	Natural white	5000±300k
KTK360**NH-P3-E		51120		70	Natural white	4000±300k
KTK360**WM-P3-E		46008		70	Warm white	3000±300k
KTK320**CH-P4-E		46400	320	70	Cool white	5700±300k
KTK320**NH-P4-E		46400		70	Natural white	5000±300k
KTK320**NH-P4-E		46400		70	Natural white	4000±300k
KTK320**WM-P4-E		41760		70	Warm white	3000±300k
KTK400**CH-P4-E		58054	400	70	Cool white	5700±300k
KTK400**NH-P4-E		58054		70	Natural white	5000±300k
KTK400**NH-P4-E		58054		70	Natural white	4000±300k
KTK400**WM-P4-E		52248		70	Warm white	3000±300k
KTK480**CH-P4-E	69120	480	70	Cool white	5700±300k	
KTK480**NH-P4-E	69120		70	Natural white	5000±300k	
KTK480**NH-P4-E	69120		70	Natural white	4000±300k	
KTK480**WM-P4-E	62208		70	Warm white	3000±300k	

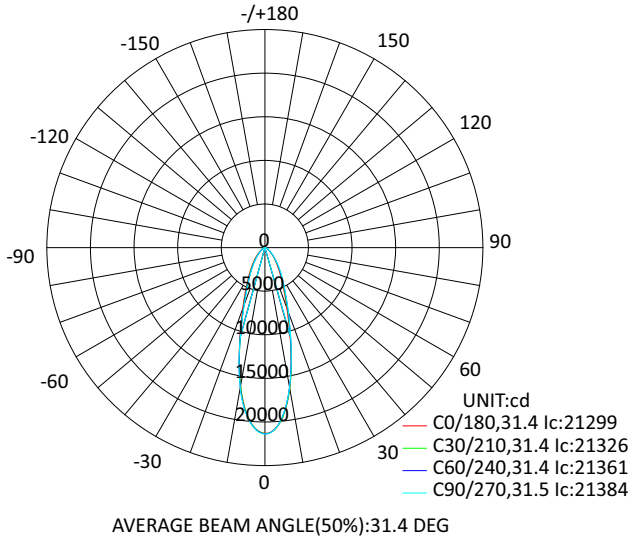
Remarks: 1.The first * stands for Operating Voltage including default -100-277VAC,D-347-480VAC ,E-20-30VAC.

2.The second * stands for Candela Distribution including H3V3,H5V5,H6V6.

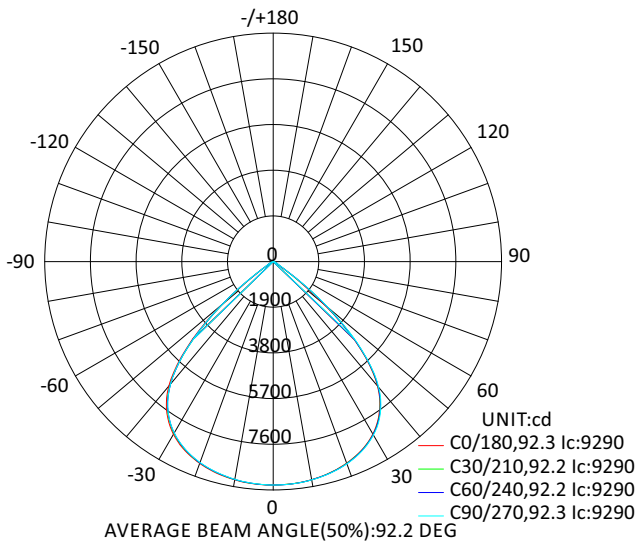
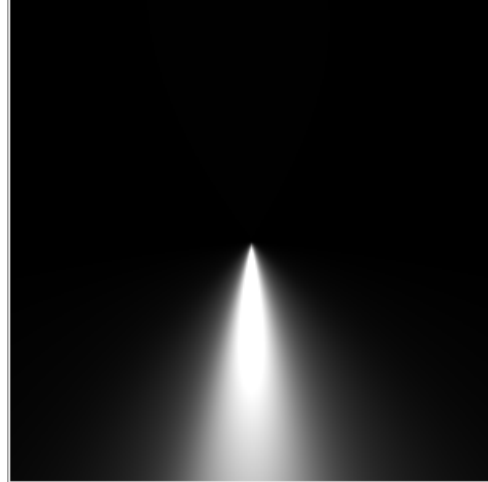
CE RoHS

CE & RoHS Certified LED Floodlight in Industrial Area.

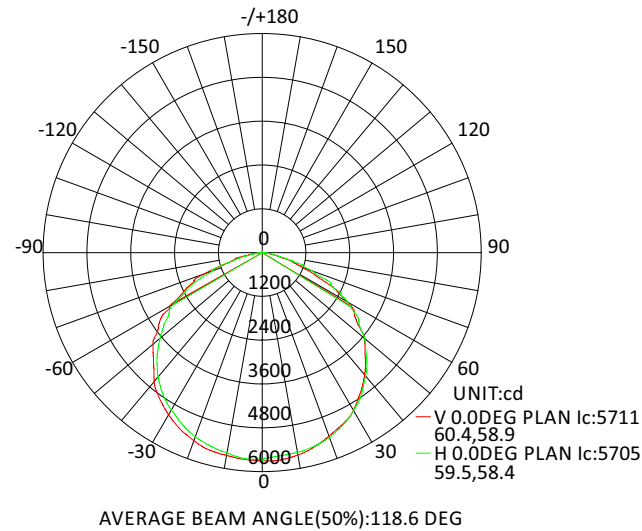
Candela Distribution



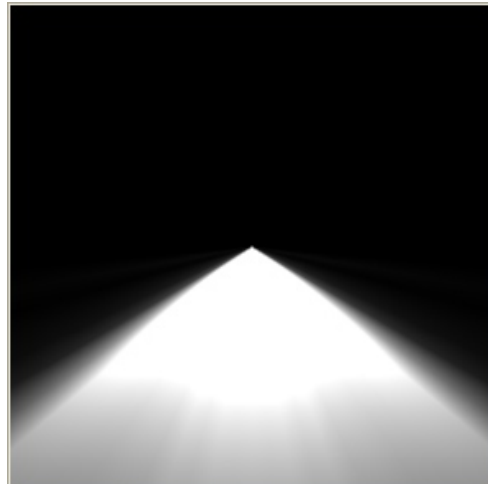
H3V3(40°)/High efficacy LED Source



H5V5(80°)/High efficacy LED Source



H6V6(120°)/High efficacy LED Source



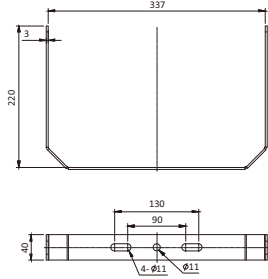
CE RoHS

CE & RoHS Certified LED Floodlight in Industrial Area.

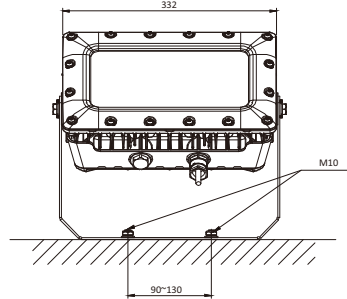
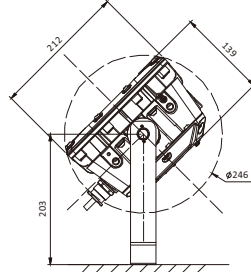
Installation Method

Stanchion mount / Wall mount

(unit:mm)

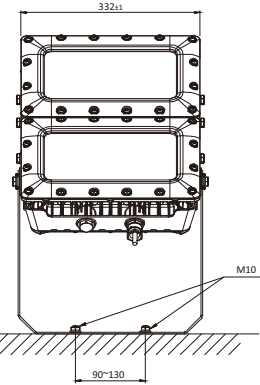
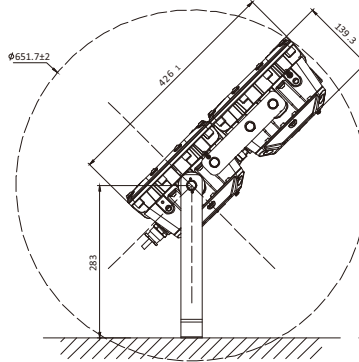
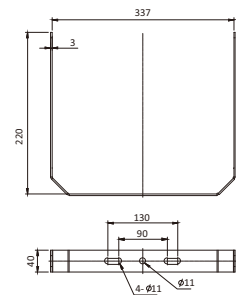


360° ROTATION (EVERY 7.5° IS A ROTATION ANGLE),



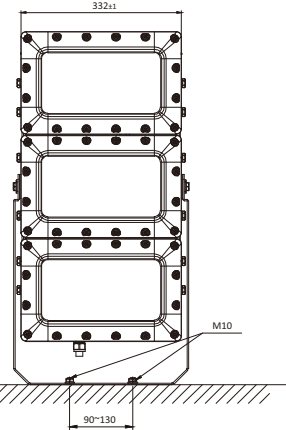
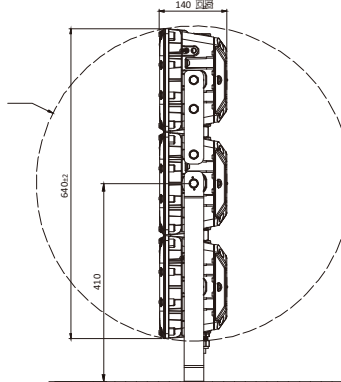
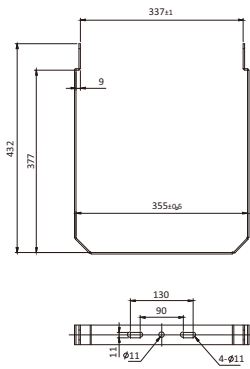
Single lamp

180° ROTATION (EVERY 7.5° IS A ROTATION ANGLE),



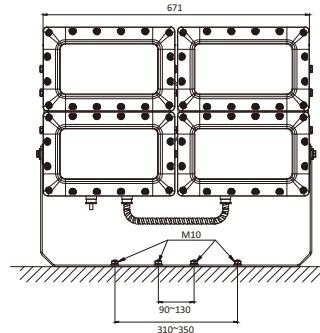
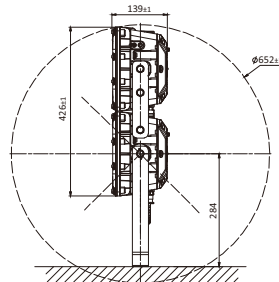
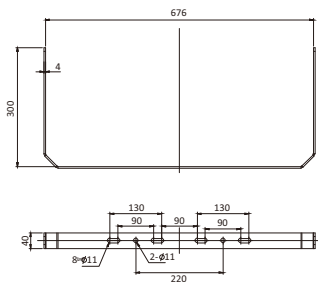
Two lamps

360° ROTATION (EVERY 7.5° IS A ROTATION ANGLE),



Three lamps

180° ROTATION (EVERY 7.5° IS A ROTATION ANGLE),



Four lamps

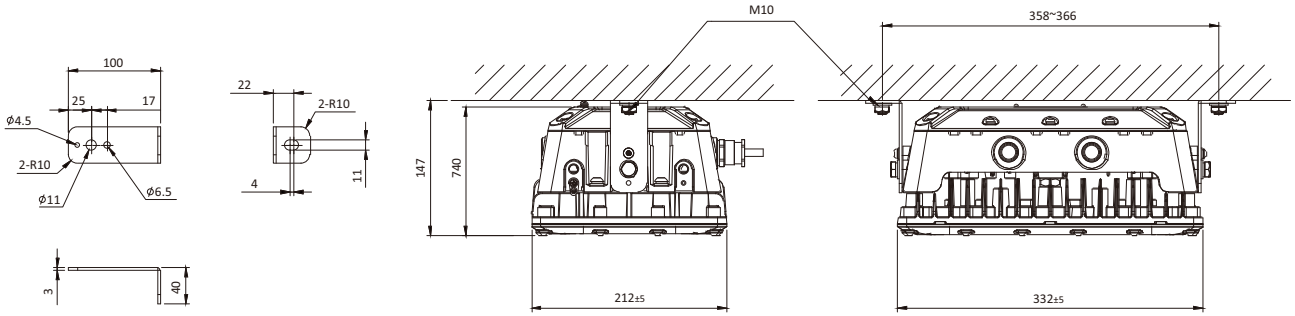
CE RoHS

CE & RoHS Certified LED Floodlight in Industrial Area.

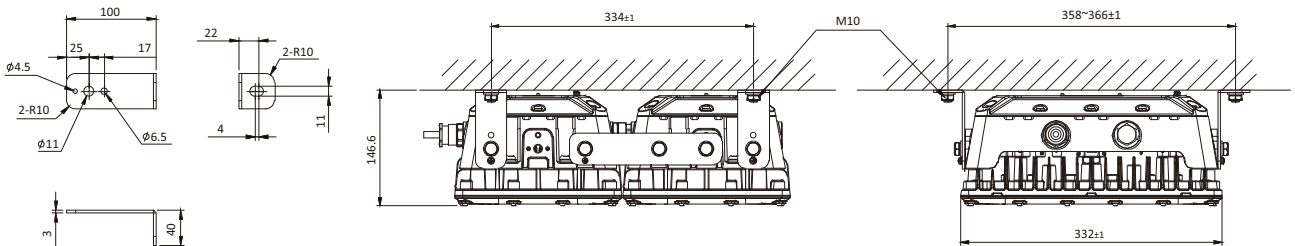
Installation Method

Ceiling Mount:

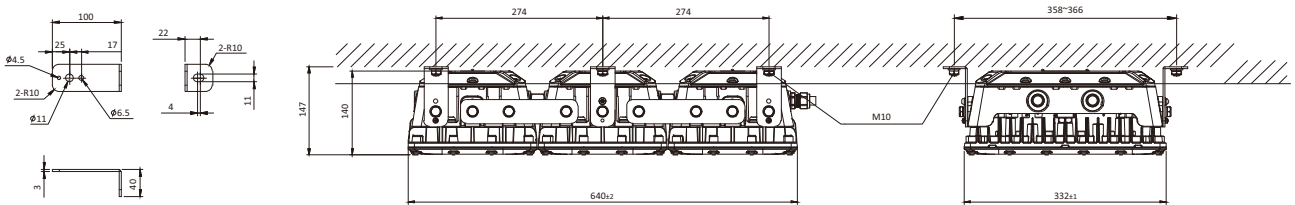
(unit:mm)



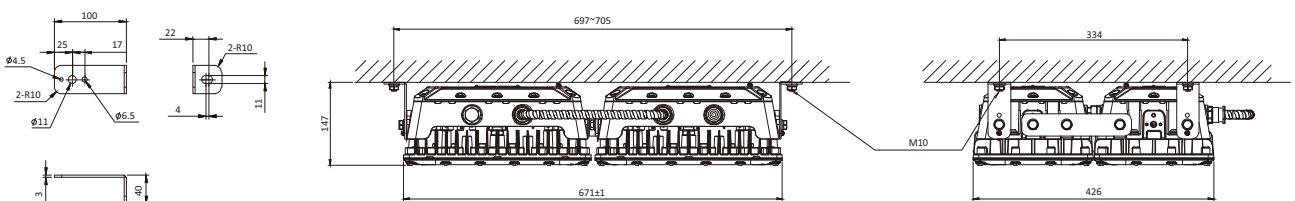
Single lamp



Two lamps



Three lamps



Four lamps

CE RoHS

CE & RoHS Certified LED Floodlight in Industrial Area.

Optional Parts

No.	Installation accessories	Part No.	Picture	Material	Weight(Kg)	QTY		Remark
1	Ceiling bracket	BR-TK-SUS316		SUS316	0.4	Single lamp	1	
						Two lamps	2	
						Three lamps	3	
						Four lamps	2	
2	Stanchion bracket	SBT-TK-SUS316		SUS316	0.8	1		
3	Stanchion bracket	SBT-TK-2-SUS316		SUS316	1	1		
4	Stanchion bracket	SBT-TK-3-SUS316		SUS316	1.6	1		
5	Stanchion bracket	SBT-TK-4-SUS316		SUS316	2	1		