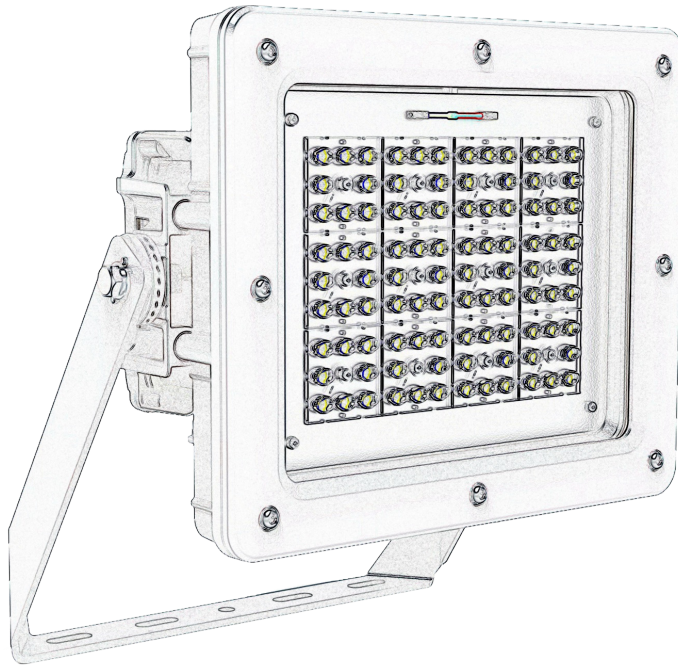


## Operation & Maintenance Manual Kseal-B Series-NV2.1



**CE RoHS**

**Important information:**

These instructions contain safety information, read and follow them carefully. KHJ will not accept any responsibility for injury, damage or loss which may occur due to incorrect installation, operation or maintenance

# Product Important Information

Standards	EN 55015, EN 61547, EN 61000-3-2, EN 61000-3-3, EN 60598-1, EN 60598-2-5, EN 62031, EN 62493, IEC 62321-1, IEC 62321-3-1, IEC 62321-4, IEC 62321-5, IEC 62321-6, IEC 62321-7-1, IEC 62321-7-2, IEC 62321-8
Certificate	CE, RoHS
Ambient Temp	-40°C-+55°C
Ingress Protection	IP66

## 01.Introduction-Seal Series LED light

- This user manual covers the range of industrial Seal Series LED normal luminaire. These luminaires are constructed with corrosion resistant epoxy coated aluminum alloy body and high impact resistance tempered glass diffuser.
- Seal Series LED are available from 80W to 300W, providing ideal solutions for a wide range of industrial applications.

## 02.Electrical Supplies

	Small size:332*282*167mm				Medium size:332*435*167mm		
Voltage Range(AC)	100~277VAC 347~480VAC				100~277VAC 347~480VAC	220~277VAC 347~480VAC	
Frequency Range(Hz)	50/60Hz				50/60Hz	50/60Hz	
Power Watts(W)	80W	100W	120W	150W	200W	240W	300W
Standard Current Range(A)	0.28~0.8	0.36~1.0	0.43~1.2	0.54~1.5	0.72~2.0	0.86~2.4	1.08~3.0

## 03.General

- These instructions should be read fully and carefully before attempting to install the luminaire. For details of servicing operations, opening etc.see section 5.
- Copies of these instructions should be held in a safe place for future reference. It is the responsibility of the installer to ensure that the apparatus selected is fit for its intended purpose and that the installation, operation and maintenance of the apparatus complies with applicable regulations, standards or codes of practice. Installation should be carried by qualified electrician only.
- Risk of electrostatic discharge:
  - a. Avoid mounting near fast moving streams of air
- Any specific installation instructions must be referred to The luminaire should be considered Class I to EN 60598 and effectively earthed.
- The information in this leaflet is correct at the time of publication. The company reserves the right to make specifications changes as required without notice.

### 3.1 Tools

- 4 mm and 5 mm flat blade screwdriver, large cross head screwdriver and inner hexagon counter wrench, suitable spanners for installing cable gland, pliers, knife, wire stripper and cutter.

### 3.2 Mounting

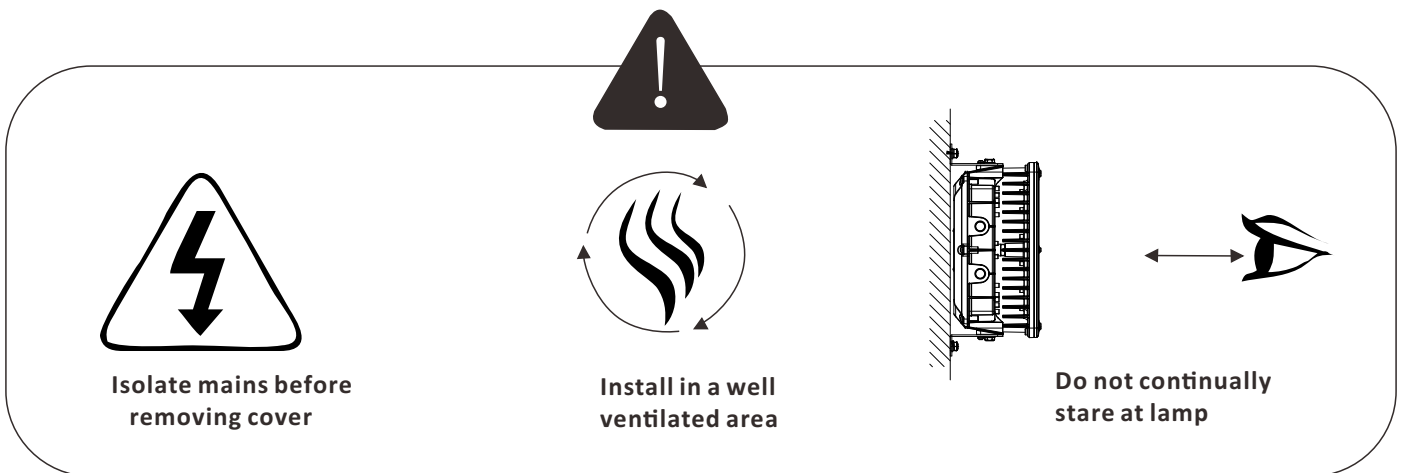
- Luminaire should be installed where access for maintenance is practical and in accordance with lighting design information. Refer to the note in 03. concerning electrostatic discharge.
- See 5.1 for installation mode and method.

### 3.3 Electrical Connections and Testing

- If any operation is to be done on any luminaire already connected to the electrical system, the luminaire must be isolated from the system.
- To access the mains terminals, loosen the fixing screws, remove the power cover.
- The wiring diagram is detailed in 5.2.1.  
The maximum amount of insulation allowed beyond the throat of the terminal is 4mm<sup>2</sup>.
- The normal method of insulation testing is to connect Live and Neutral together and test between this point.  
However, if this is not possible luminaire can be tested with an insulation tester that complies with IEC 364 with a maximum output current of 1mA and output voltage of 500V dc. (Units damaged by incorrect insulation testing can be detected).
- Before completing the wiring, ensure that all the connections are correctly introduced into place before reassembling the luminaire.

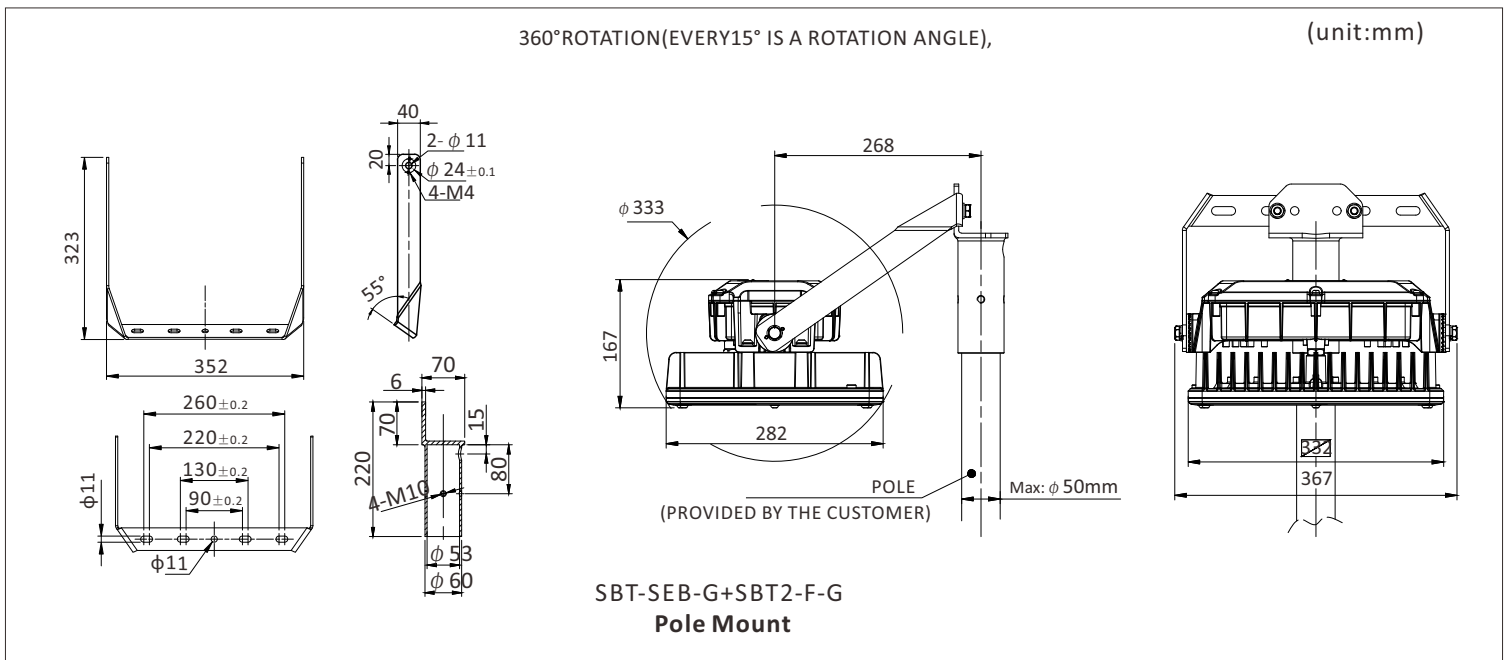
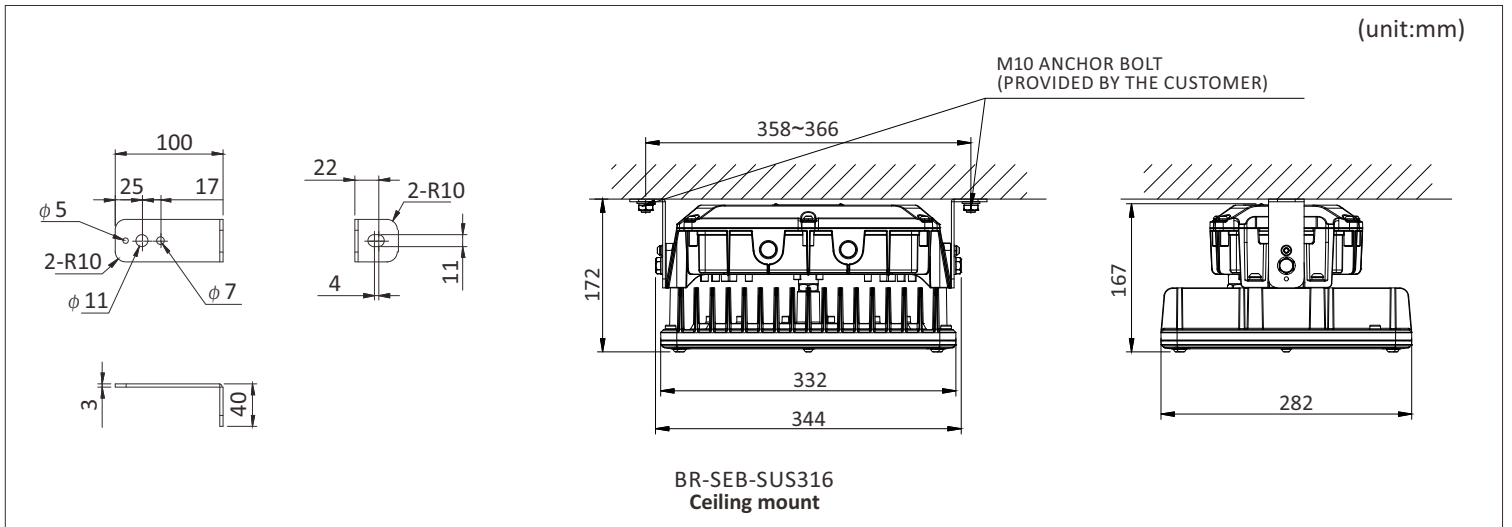
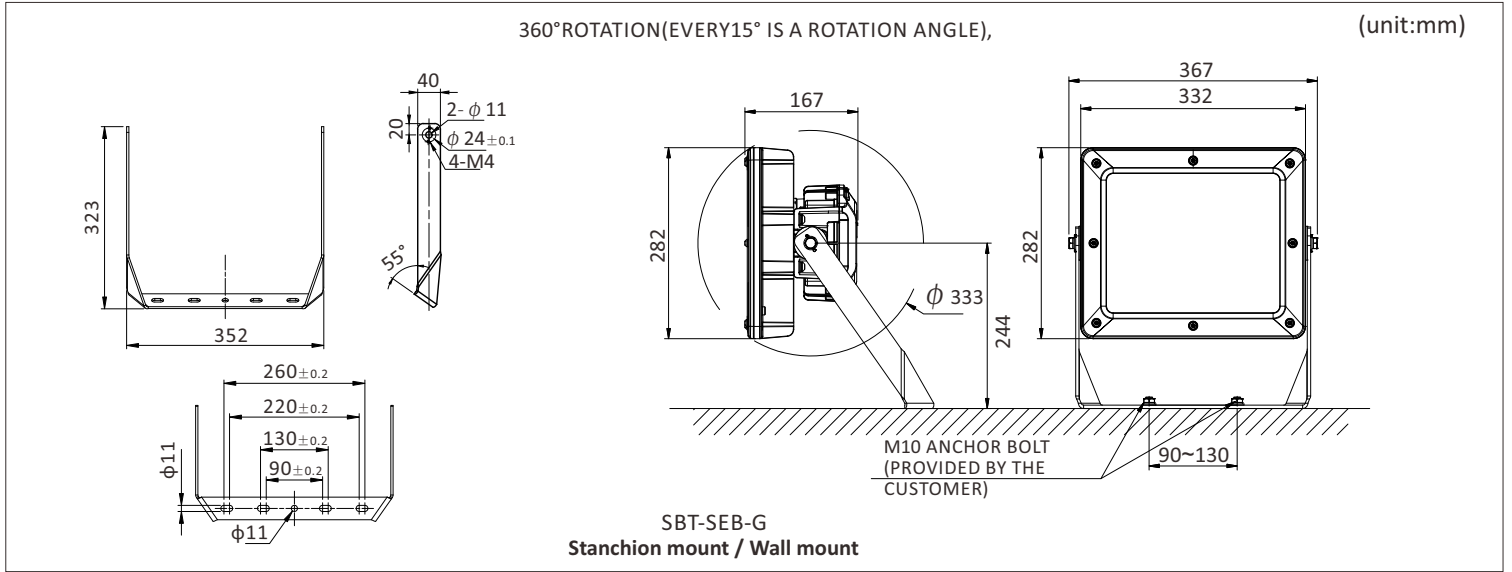
## 04.Safety Instruction

- Read this leaflet carefully before commencing to install the luminaire unit and retain it for future use.  
Installation can only be carried out by suitably qualified personnel.
- Check Product Important Information in this user manual to ascertain type of threaded cable entry on the luminaire.  
Select suitably cable glands and stopper plugs.
- The cable entry devices selected must maintain the IP rating of the luminaire.
- The incoming mains cable should not exceed a temperature rise of 20°C above the ambient conditions; select suitable cable.
- External fasteners must have a yield strength of at least 450Mpa.
- The luminaire must not be operated without all the individual LED covers in position, the IP66 rating must be maintained.



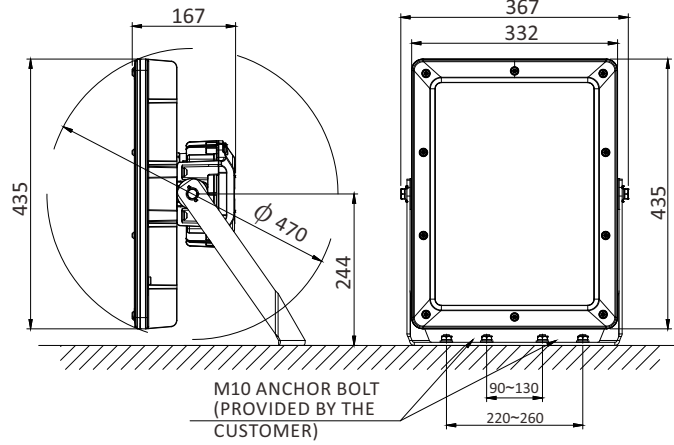
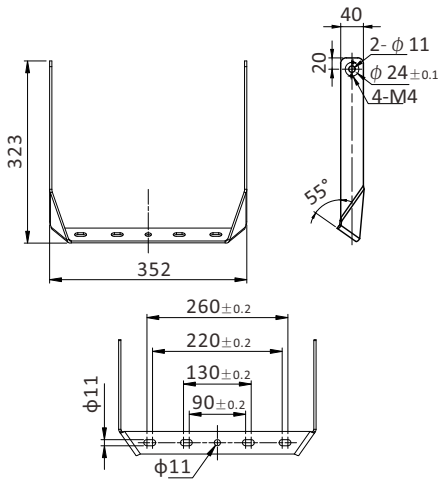
## 05.Installation Method

Based on the use of the scene and actual requirements, we have designed the following installation methods for customers to choose from (including but not limited to):



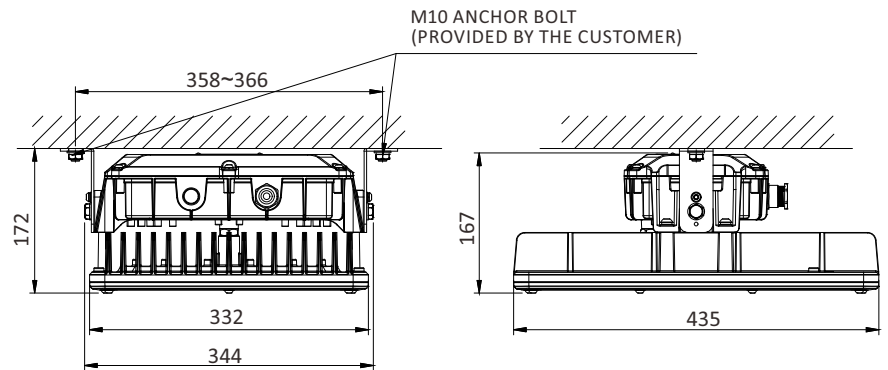
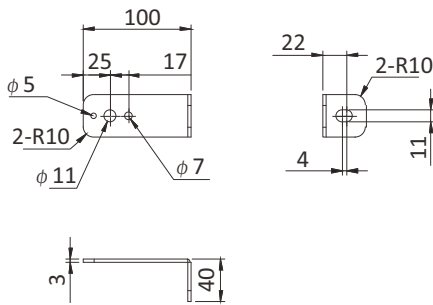
360° ROTATION (EVERY 15° IS A ROTATION ANGLE),

(unit:mm)



SBT-SEB-G  
Stanchion mount / Wall mount

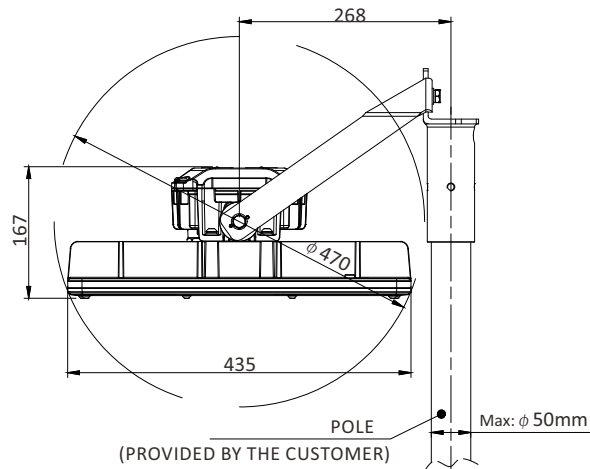
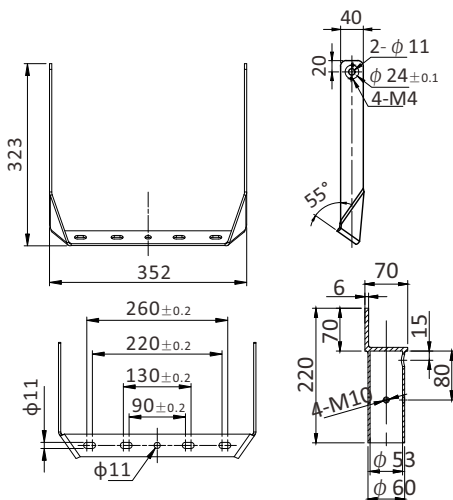
(unit:mm)



BR-SEB-SUS316  
Ceiling mount

360° ROTATION (EVERY 15° IS A ROTATION ANGLE),

(unit:mm)



SBT-SEB-G+SBT2-F-G  
Pole Mount

Remarks:

- External grounding cable cross-sectional area is not less than 4mm<sup>2</sup>.
- Entries into enclosures torque of locking cable introduction device 35 N.M~40 N.M.
- Select Suitable the cable glands or plug.
- If using cable gland and stopping plug of KHJ, please refer to below table for cable spec (including but not limited to):

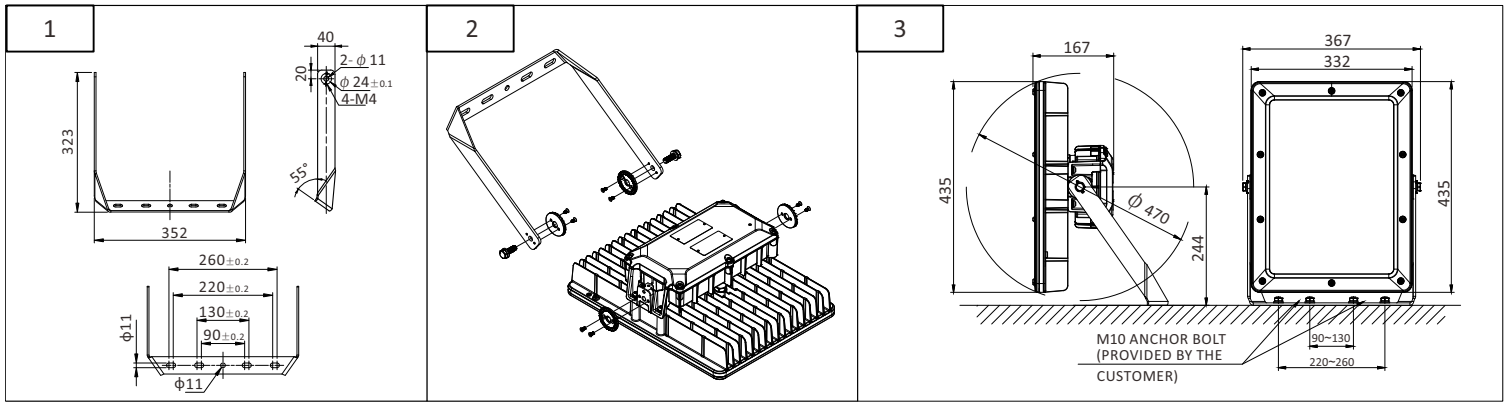
Type	Outer Diameter(mm)
M20 Non-Armoured cable gland	φ8-φ12
M25 Non-Armoured cable gland	φ10-φ14

- If you need to use other cables or different threads in actual installation, please contact the local dealer or our sales specialist.

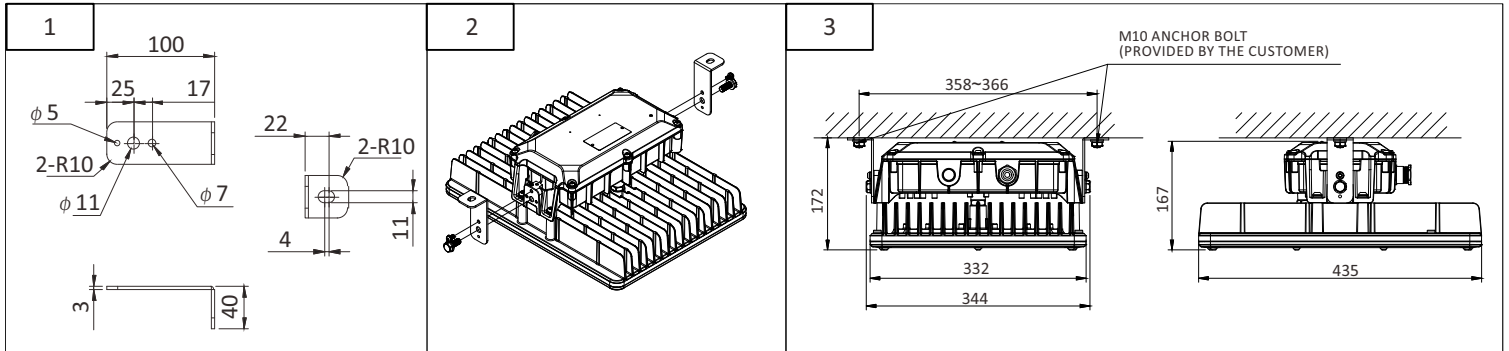
5.1 Installation Decomposition

It is the responsibility of the installer to ensure that the apparatus selected is fit for it is intended purpose and that the installation, operation and maintenance of the apparatus complies with applicable regulations, standards or codes of practice. Please refer to the following installation drawing for different installation methods.

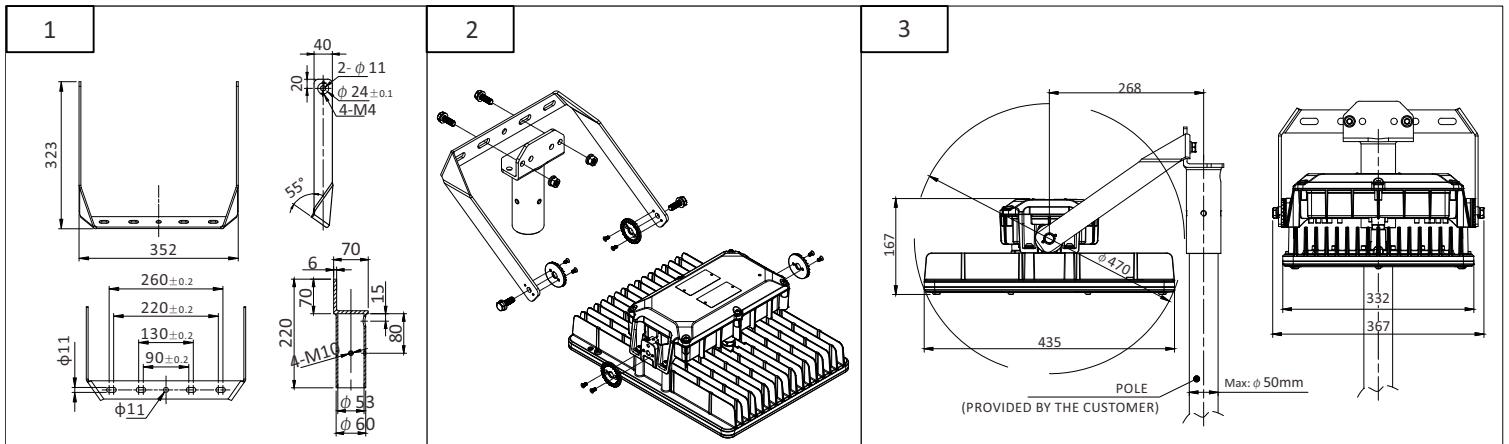
5.1.1 Stanchion Mount / Wall Mount(unit:mm)



5.1.2 Ceiling mount(unit:mm)



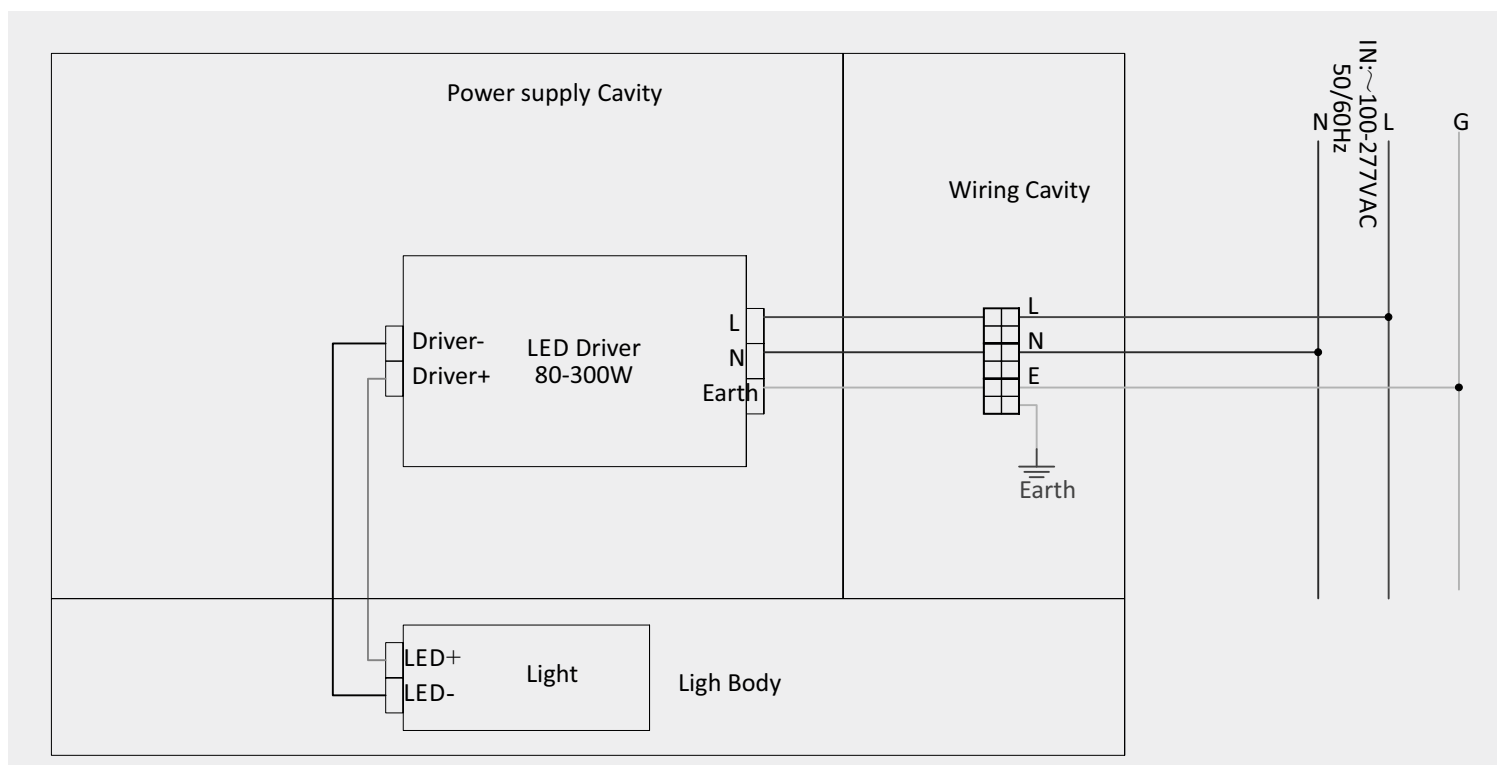
5.1.3 Pole Mount(unit:mm)



## 5.2 Electrical Principles and Connections

In addition to referring to the relevant contents of this manual, this product should be installed and maintained by qualified electrician only. When installed, ensure that the luminaire is effectively grounded (internal or external).

### 5.2.1 Electrical Principles(Non Emergency type)



## 5.3 Cascade

MCB Type	Rating	80W	100W	120W	150W	200W	240W	300W
B	16A	9	9	4	4	3	2	2
C	16A	14	14	8	8	6	4	4

According to MCB data sheet, the qty of luminaires in one Parallel connection is calculated at 230VAC

# 06.Repairs Maintenance

Visual tests and checks should be carried out at intervals described by the appropriate regulations, IEC(EN)60079-17, and should include the following (including but not limited to).

- Check for mechanical damage/corrosion.
- Check connections, fixings, glands and plugs.
- Check for undue accumulations of dust, dirt or moisture.
- Check for unauthorized modifications.

Periodic inspection of the enclosure seal should be checked out to ensure that the seal is sound.

If the luminaire has been subject to abnormal conditions, for example, severe mechanical impact or chemical spillage, it must be de-energised until it has been inspected by an authorized and competent person.

# 07.Cleaning of Luminaire

- The complete luminaire (without disassemble) can be cleaned with neutral water solution. After cleaning, rinse with clean water and wipe dry.
- It is forbidden to use any chemical or hydrocarbon solvent cleaner to clean the diffuser, otherwise serious damage may be caused.
- Please clean the luminaire regularly if it is used under dust environment.

## 08.Transportation

Weatherproof measures should be taken during transportation.

It is strictly forbidden to load and unload violently, and it is strictly forbidden to drop and roll from high altitude, so as to prevent mechanical damage.

## 09.Storage

The luminaire should be stored in ventilated, non-dropping and non-liquid warehouse at the temperature of  $-20^{\circ}\text{C}$  to  $+40^{\circ}\text{C}$  and relative humidity  $\leq 95\% \text{RH}$ .

The surroundings should be kept from corrosive gases which may damage metal and insulation.

## 10.Warning

- Do not open when energized.
- The end user shall use more than a  $4\text{mm}^2$  wire for external earthing purpose.
- End user shall use certified cable glands with suitable type of protection for installation purpose.
- Minimum IP66 for chosen cable glands.
- Clearances and creepage distances should be considered when installing the power cables.
- The specification and installation of power cables must be in accordance with user manual. The power cable shall be fixed as close as possible to the enclosure of the lamp after installation.
- Clean the luminaire regularly to prevent dust accumulation.
- All maintaining and repairing must be carried out by the qualified staff recognized by the manufacturer.
- POTENTIAL ELECTROSTATIC CHARGING HAZARD. Clean only with a damp cloth.

## 11.Optional Parts

No.	Installation Accessories	Part No.	Picture	Material	Weight(Kg)	QTY	Remarks
1	Ceiling Bracket	BR-SEB-SUS316		SUS316	0.9	1	Ceiling Mount
2	Stanchion Bracket	SBT-SEB-G		Q235	1.5	1	Stanchion Mount
3	Pole Mount Bracket	(SBT2-F-G) +(SBT-SEB-G)		SUS316 +Q235	3.0	1	Stanchion Mount

### Contact

SHENZHEN KHJ SEMICONDUCTOR LIGHTING CO., LTD.

Address: 4-5 Floor, Building 1, Chuangxin industrial park, Xintian community, Guanlan, Longhua new district, Shenzhen, China.

Tel: +86-755-82949977  
E-mail: khjledsales@khj.cn

**Web: [www.khjled.com](http://www.khjled.com)**

Fax: +86-755-82949800  
Web: [www.khjled.com](http://www.khjled.com)