



LED Explosion Proof Light

**ATEX & IECEX Certified LED Linear light in Hazardous Area.
Dolphin Series**

- ⚠ II 3 G Ex nR IIC T5 / T6 Gc
- ⚠ II 3 D Ex tb IIIC T95°C / T85°C Db





Features And Benefits:

- High efficacy LED Source with long lifespan, L70 > 100,000 hours @ 25°C ambient
- 5-year performance warranty
- Low THD around 10%, Less interference
- 4KV/Line-Line 6KV/Line-Earth
- Robust GRP housing(Glass Reinforced Plastic)
- Vibration and shock resistant
- Low maintenance

Applications:



Oil&Gas Exploration



Drilling



Oil Refinery



Petrochemical Plant



Power Plant



Pharmaceutical Plant



ATEX & IECEX Certified LED Linear light in Hazardous Area.

LED Linear light

Standard & Certificate:

Ex Mark:	Gas: II 3 G Ex nR IIC T5 / T6 Gc Dust: II 3 D Ex tb IIIC T95°C / T85°C Db
Certificate:	<ul style="list-style-type: none"> • ATEX Certification NO.: Pending • IECEX Certification NO.: Pending • CE • RoHS
Executive Standard:	<ul style="list-style-type: none"> • (IEC)EN 60079-0, (IEC)EN 60079-15, (IEC)EN 60079-31 • EN 55015, EN 61547, EN 61000-3-2, EN 61000-3-3, • EN 60598-1, EN 60598-2-5, EN 62031, EN 62493, • IEC 62321-4, IEC 62321-5, IEC 62321-6, IEC 62321-7-1, • IEC 62321-7-2, IEC 62321-8
Classification:	<ul style="list-style-type: none"> • Group II Zone 2 & 22

Electrical & Photometric Features:

Luminaire Efficacy:	140lm/W
Lifespan:	>100,000 hours
Operating Voltage:	110-277 VAC/220-240 VAC 155-392 VDC/311-339 VDC
Power:	Normal:18W/36W/48W/56W/72W Emergency:5W(18W/36W/48W/56W)
Frequency:	50/60Hz
Power Factor:	>0.98
THD:	<10%
CRI:	>70
Insulation Class:	I
Surge Protection:	4KV/6KV
LED Driver:	Over voltage protection/short circuit protection
Battery Capacity:	2.0 Ah
Battery Type:	Ni-Cd
Battery Lifespan:	500 cycles
Back up:	180 min
Charging time: (after full discharge)	24 hours

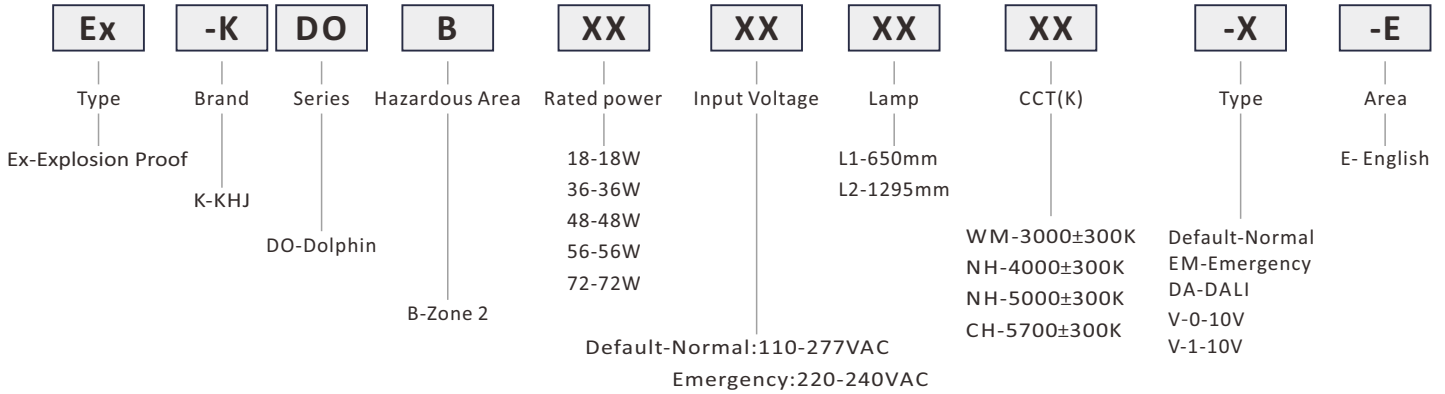
Mechanical Features:

Weight:	Normal:5.8Kg(0.6m)8.5Kg(1.2m)/ Emergency:6.8Kg(0.6m)9.5Kg(1.2m)
Size:	650*158*153mm(18W/36W/48W)/1295*158*153mm(36W/48W/56W/72W)
Ambient Temperature:	Normal:-40°C-+55°C / Emergency:-20°C-+55°C
Connecting Terminals:	4*1.0-4mm ² (L+N+PE)
Cable Entries:	2XM20*1.5 (M25*1.5 are optional)
Earthing Protection:	M4 (Internal & external earth bolts)
IP Code:	IP66
Enclosure Material:	Glass Reinforced Plastic
Enclosure Colour:	Grey RAL7040
Coating:	/
Exposed Fastener:	Stainless steel
Protective Cover:	PC,Stand 7J impact



ATEX & IECEX Certified LED Linear light in Hazardous Area.

Production Definition



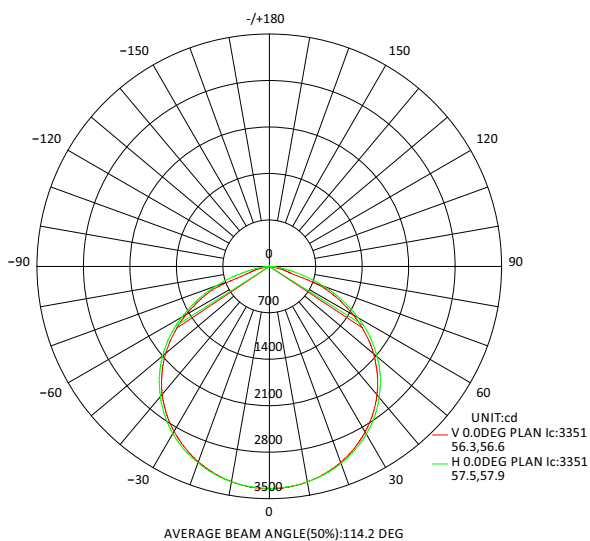
Ordering Information

P/N	Operating Voltage(V)	Luminous Flux(lm)	Power(W)	Color Temp.	CCT(K)
		Normal	Normal		
Ex-KDOB18L1WM-E	110~277 VAC (155~392 VDC)	2326	18	Warm white	3000±300
Ex-KDOB18L1NH-E		2520	18	Natural white	4000±300
Ex-KDOB18L1NH-E		2520	18	Natural white	5000±300
Ex-KDOB18L1CH-E		2520	18	Cool white	5700±300
Ex-KDOB36L1WM-E		4652	36	Warm white	3000±300
Ex-KDOB36L1NH-E		5040	36	Natural white	4000±300
Ex-KDOB36L1NH-E		5040	36	Natural white	5000±300
Ex-KDOB36L1CH-E		5040	36	Cool white	5700±300
Ex-KDOB48L1WM-E		6202	48	Warm white	3000±300
Ex-KDOB48L1NH-E		6720	48	Natural white	4000±300
Ex-KDOB48L1NH-E		6720	48	Natural white	5000±300
Ex-KDOB48L1CH-E		6720	48	Cool white	5700±300
Ex-KDOB36L2WM-E		4652	36	Warm white	3000±300
Ex-KDOB36L2NH-E		5040	36	Natural white	4000±300
Ex-KDOB36L2NH-E		5040	36	Natural white	5000±300
Ex-KDOB36L2CH-E		5040	36	Cool white	5700±300
Ex-KDOB48L2WM-E		6202	48	Warm white	3000±300
Ex-KDOB48L2NH-E		6720	48	Natural white	4000±300
Ex-KDOB48L2NH-E		6720	48	Natural white	5000±300
Ex-KDOB48L2CH-E		6720	48	Cool white	5700±300
Ex-KDOB56L2WM-E		7236	56	Warm white	3000±300
Ex-KDOB56L2NH-E		7840	56	Natural white	4000±300
Ex-KDOB56L2NH-E		7840	56	Natural white	5000±300
Ex-KDOB56L2CH-E		7840	56	Cool white	5700±300
Ex-KDOB72L2WM-E		9304	72	Warm white	3000±300
Ex-KDOB72L2NH-E		10080	72	Natural white	4000±300
Ex-KDOB72L2NH-E		10080	72	Natural white	5000±300
Ex-KDOB72L2CH-E		10080	72	Cool white	5700±300

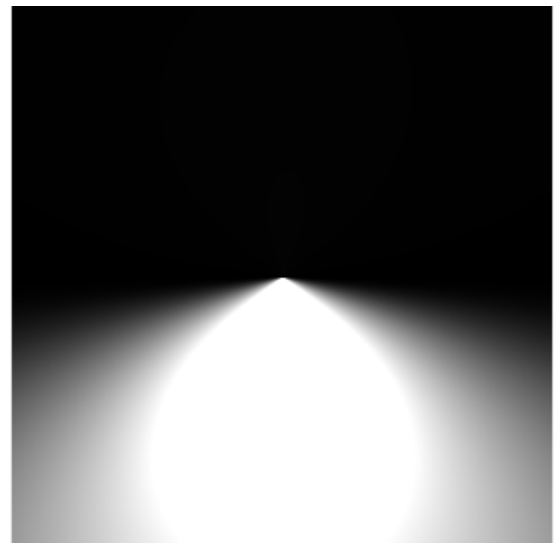
ATEX & IECEX Certified LED Linear light in Hazardous Area.

P/N	Operating Voltage(V)	Luminous Flux(lm)		Power(W)		Color Temp.	CCT(K)
		Normal	Emergency	Normal	Emergency		
Ex-KDOB18L1WM-EM-E	220-240 VAC (311-339 VDC)	2326	646	18	5	Warm white	3000±300
Ex-KDOB18L1NH-EM-E		2520	700	18		Natural white	4000±300
Ex-KDOB18L1NH-EM-E		2520	700	18		Natural white	5000±300
Ex-KDOB18L1CH-EM-E		2520	700	18		Cool white	5700±300
Ex-KDOB36L1WM-EM-E		4652	646	36		Warm white	3000±300
Ex-KDOB36L1NH-EM-E		5040	700	36		Natural white	4000±300
Ex-KDOB36L1NH-EM-E		5040	700	36		Natural white	5000±300
Ex-KDOB36L1CH-EM-E		5040	700	36		Cool white	5700±300
Ex-KDOB48L1WM-EM-E		6202	646	48		Warm white	3000±300
Ex-KDOB48L1NH-EM-E		6720	700	48		Natural white	4000±300
Ex-KDOB48L1NH-EM-E		6720	700	48		Natural white	5000±300
Ex-KDOB48L1CH-EM-E		6720	700	48		Cool white	5700±300
Ex-KDOB36L2WM-EM-E		4652	646	36		Warm white	3000±300
Ex-KDOB36L2NH-EM-E		5040	700	36		Natural white	4000±300
Ex-KDOB36L2NH-EM-E		5040	700	36		Natural white	5000±300
Ex-KDOB36L2CH-EM-E		5040	700	36		Cool white	5700±300
Ex-KDOB48L2WM-EM-E		6202	646	48		Warm white	3000±300
Ex-KDOB48L2NH-EM-E		6720	700	48		Natural white	4000±300
Ex-KDOB48L2NH-EM-E		6720	700	48		Natural white	5000±300
Ex-KDOB48L2CH-EM-E		6720	700	48		Cool white	5700±300
Ex-KDOB56L2WM-EM-E		7236	646	56		Warm white	3000±300
Ex-KDOB56L2NH-EM-E		7840	700	56		Natural white	4000±300
Ex-KDOB56L2NH-EM-E		7840	700	56		Natural white	5000±300
Ex-KDOB56L2CH-EM-E		7840	700	56		Cool white	5700±300

Candela Distribution

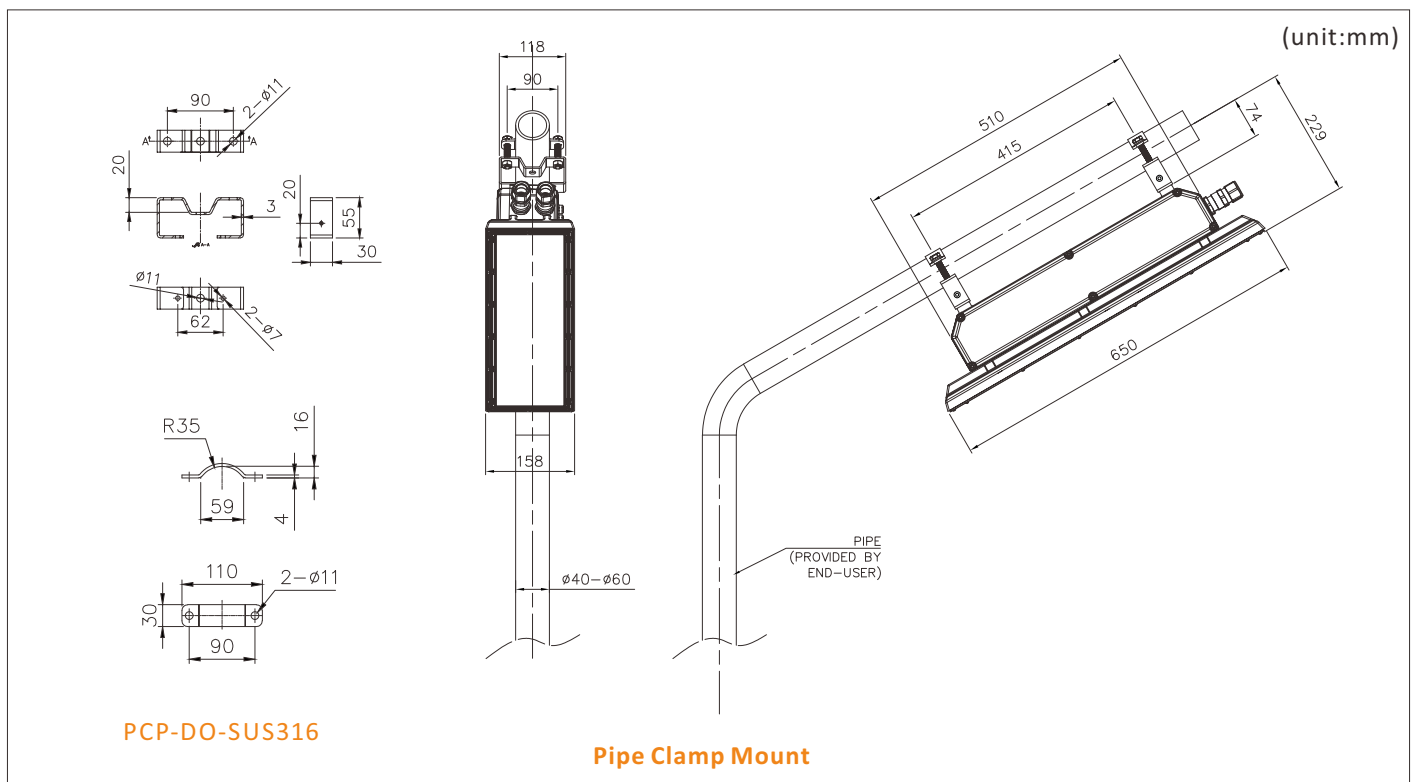
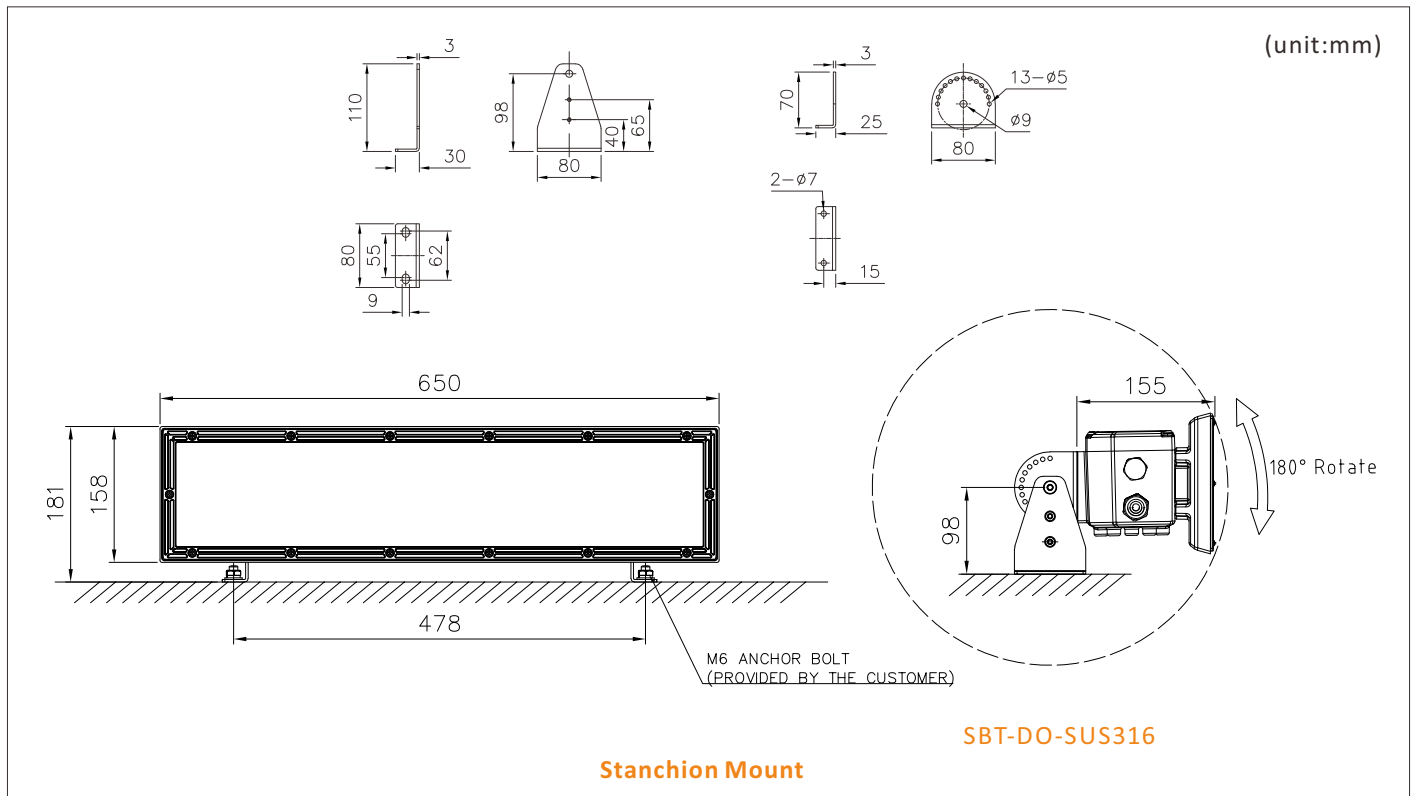


H7V7(120°)/High Efficacy LED Source

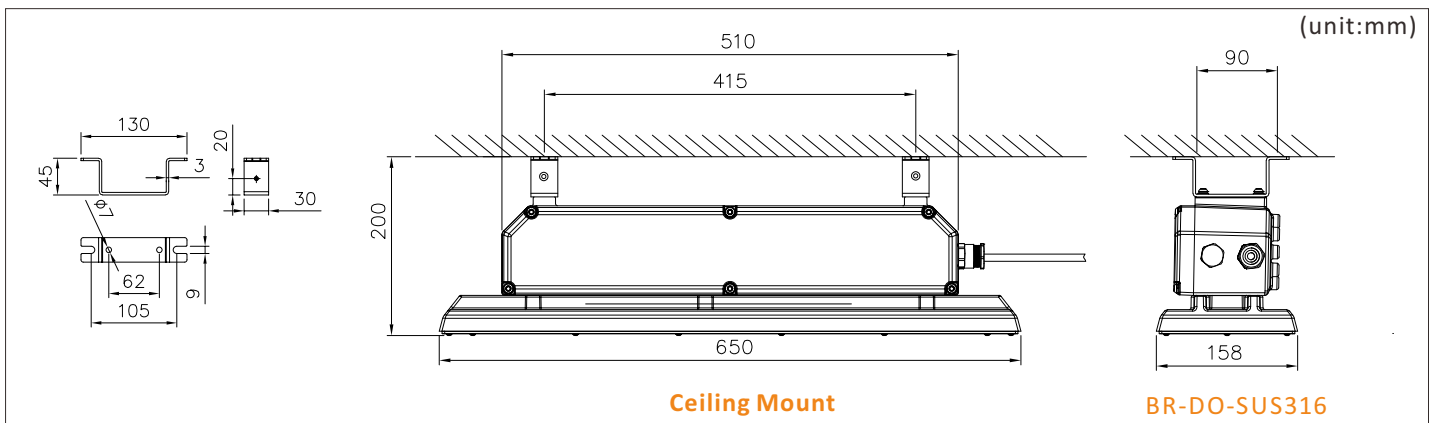
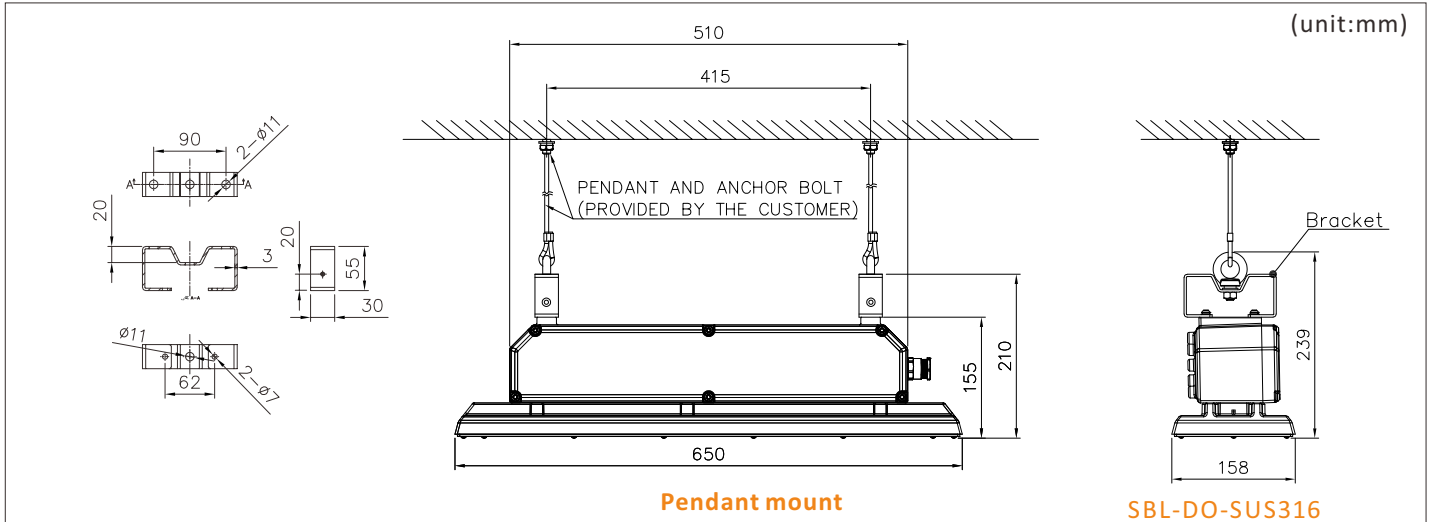


Installation Method

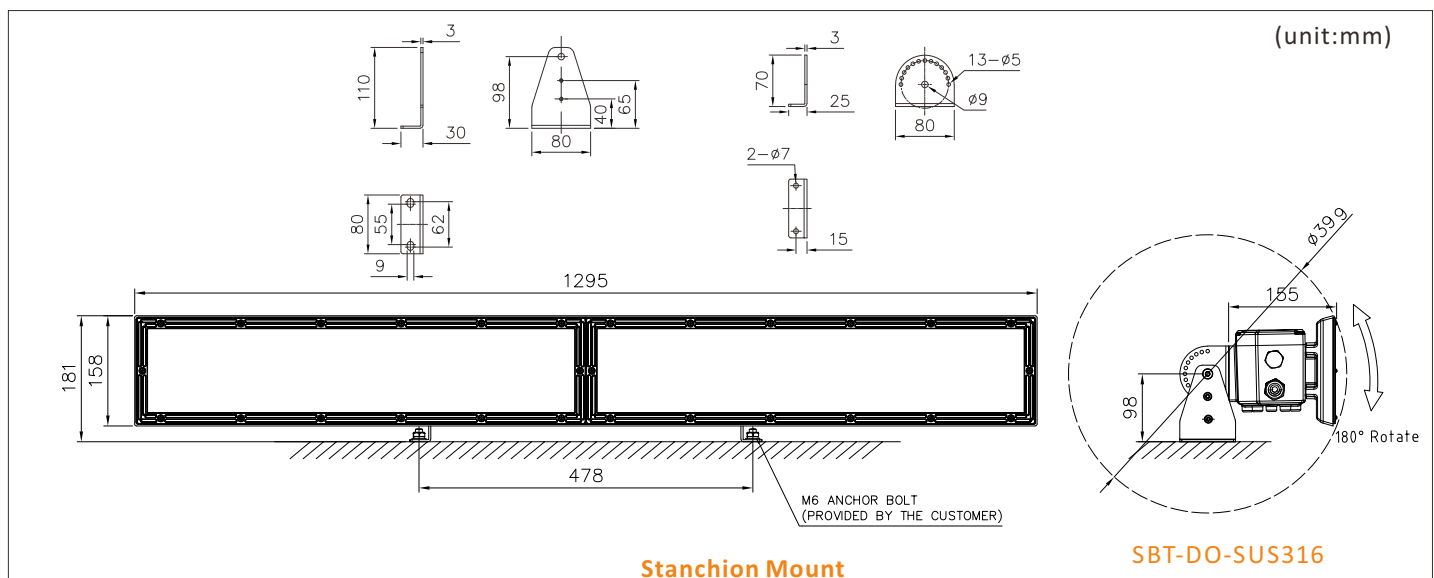
size:650*158*155mm:



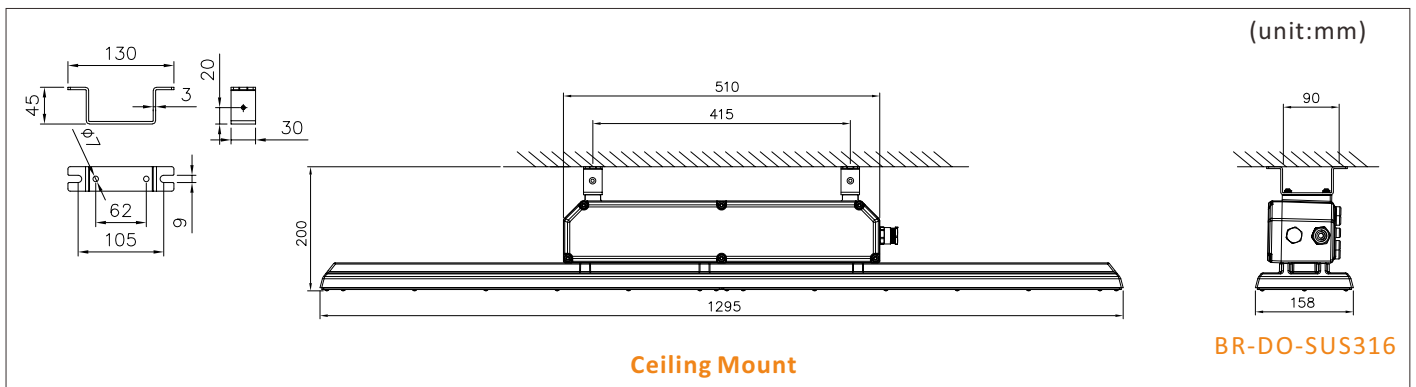
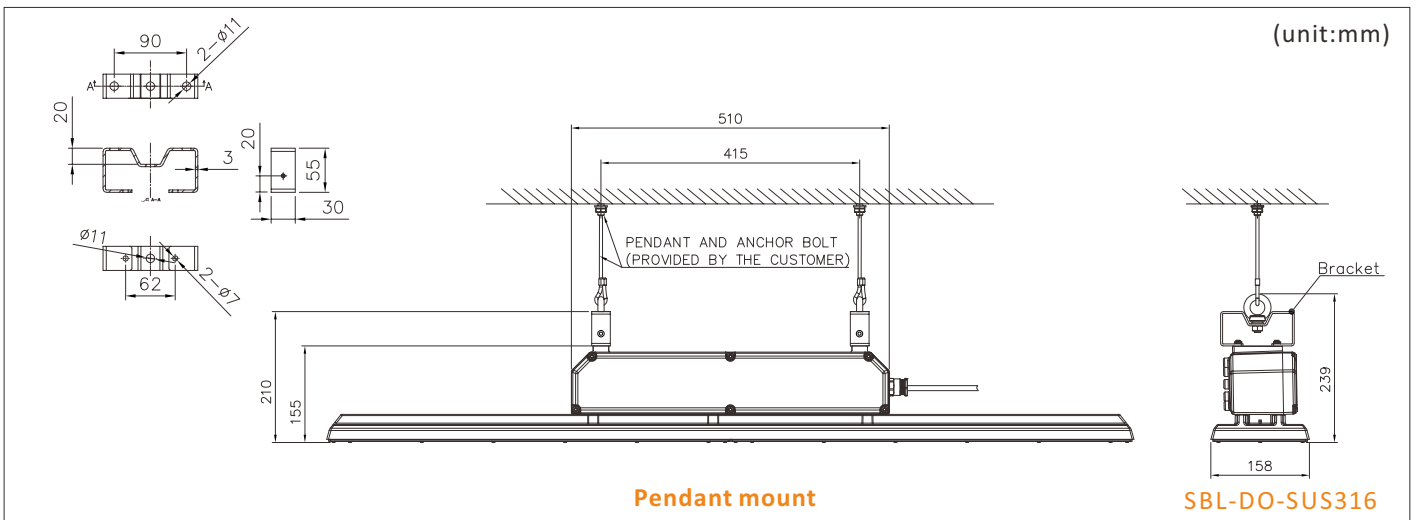
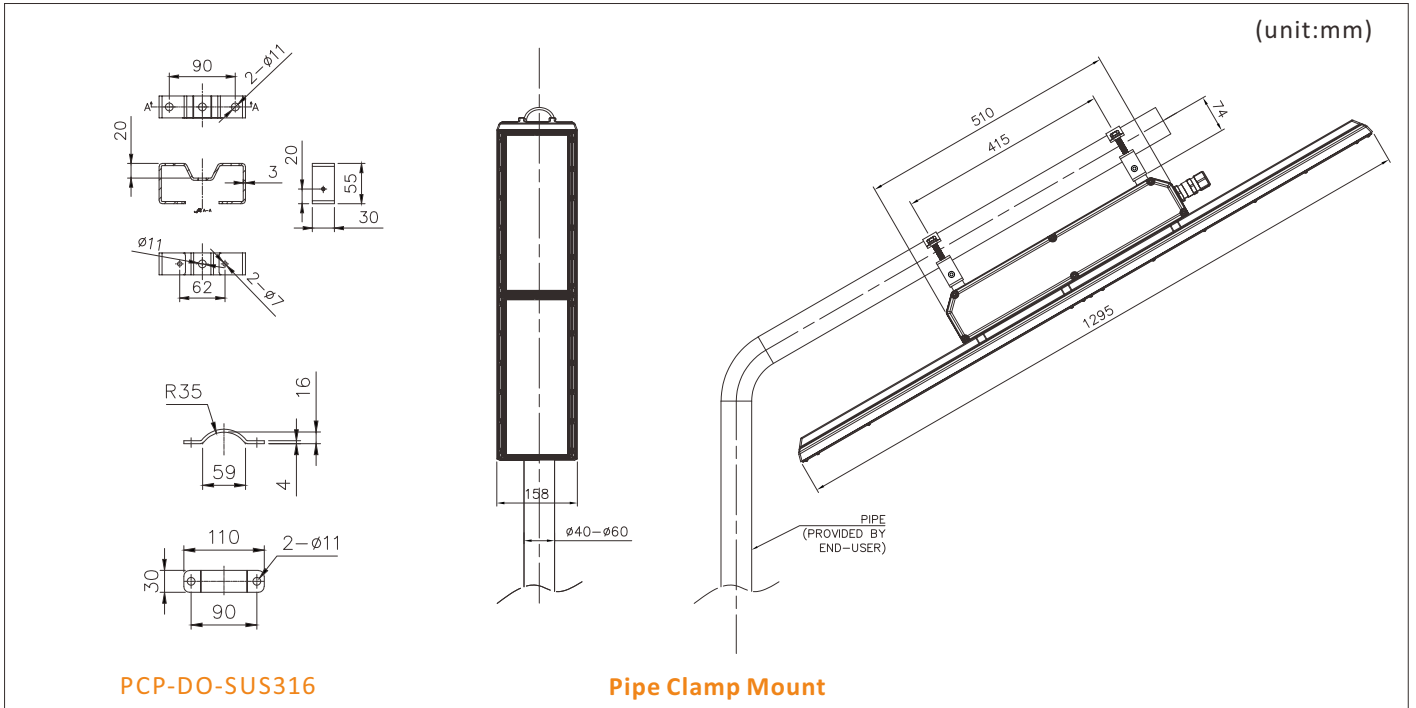
Installation Method



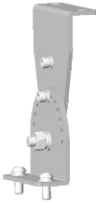

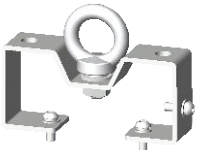
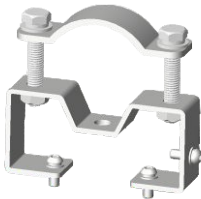
size:1295*158*155mm



Installation Method



Optional Parts

No.	Installation accessories	Part No.	Picture	Material	Weight(Kg)	QTY	Remark
1	Stanchion Bracket	SBT-DO-SUS316		SUS316	0.4	2	Stanchion Mount
2	Bracket	BR-DO-SUS316		SUS316	0.16	2	Ceiling Mount
3	Loop Bracket	SBL-DO-SUS316		SUS316	0.3	2	Pendant Mount
4	Pipe Clamp	PCP-DO-SUS316		SUS316	0.4	2	Pipe clamp