



## LED Explosion Proof Portable Light

**ATEX & IECEx Certified LED Portable light in Hazardous Area.**

**Forest Frog Series**

- ⚡ II 2 G Ex db IIC T6...T4 Gb
- ⚡ II 2 D Ex tb IIIC T80°C...T130°C Db





## Features And Benefits:

- High efficacy LED Source with long lifespan, L70 > 100,000 hours @ 25°C ambient
- 3-year performance warranty
- C/W battery level indicator function
- Robust aluminium housing and strong tempered glass
- Vibration and shock resistant
- Low maintenance

## Applications:



Oil&Gas Exploration



Drilling



Oil Refinery



Petrochemical Plant



Power Plant



Pharmaceutical Plant



ATEX & IECEX Certified LED Portable light in Hazardous Area.

# LED Portable Light

## Standard & Certificate:

Ex Mark:	Gas: Ⓜ II2 G Ex db IIC T6...T4 Gb Dust: Ⓜ II2 D Ex tb IIIC T80°C...T130°C Db
Certificate:	<ul style="list-style-type: none"> <li>• ATEX Certification NO.:EPT 18 ATEX 2977 X      • CE      • ABS</li> <li>• IECEX Certification NO.:IECEX CQM 15.0039X      • RoHS</li> </ul>
Executive Standard:	<ul style="list-style-type: none"> <li>• (IEC)EN 60079-0, (IEC)EN 60079-1, (IEC)EN 60079-28, (IEC)EN 60079-31</li> <li>• EN 55015, EN 61547, EN 61000-3-2, EN 61000-3-3</li> <li>• EN 60598-1, EN 60598-2-5, EN 62031, EN 62493</li> <li>• IEC 62321-4, IEC 62321-5, IEC 62321-6,</li> <li>• IEC 62321-7-1, IEC 62321-7-2, IEC 62321-8</li> </ul>
Classification:	• Group II Zone 1 & 21 and 2 & 22

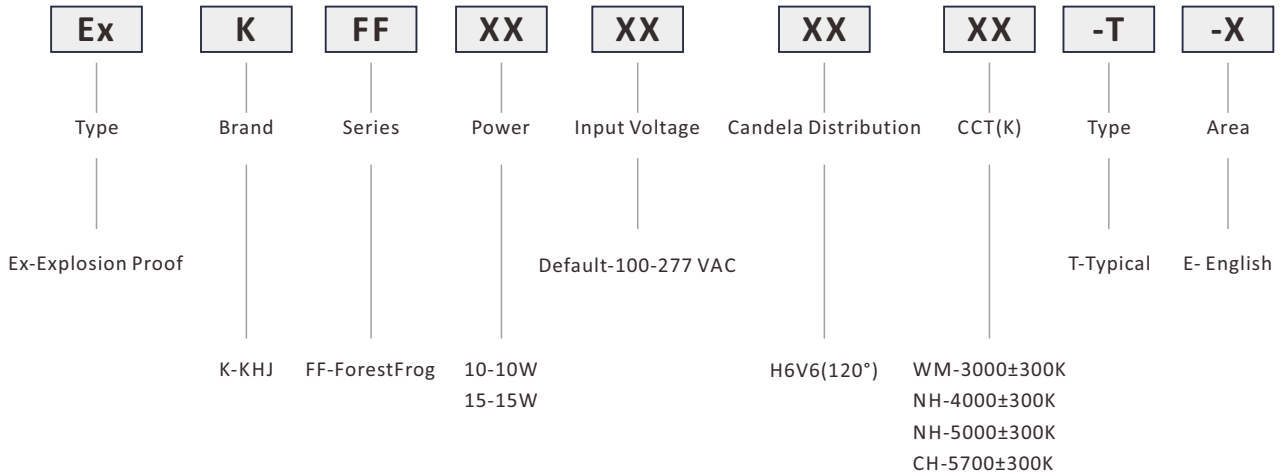
## Electrical & Photometric Features:

Luminaire Efficacy:	136.5lm/W
Lifespan:	>100,000 hours
Charge Voltage:	100-277 VAC,141-392 VDC
Power:	10W/15W
Battery Capacity:	4.4 Ah
Battery Type:	Lithium battery
Battery Lifespan:	500 cycles
Light Duration:	>10h(10W) >6h(15W)
Charging Time: (after full discharge)	3h
Frequency:	50/60Hz
Insulation Class:	I
LED Driver:	Over voltage protection/short circuit protection

## Mechanical Features:

Weight:	6.5Kg(Magnetic)/5.2Kg(Bracket)
Size:	209*198*293mm(Magnetic)/209*236*303mm(Bracket)
Ambient Temperature:	-20°C--+55°C
Earthing Protection:	M4 (Internal & external earth bolts)
IP Code:	IP66
Enclosure Material:	Die-casting aluminium alloy
Enclosure Colour:	Orange,RAL2011
Coating:	Epoxy powder coating
Exposed Fastener:	Stainless steel
Protective Cover:	Tempered glass,Stand 7J impact

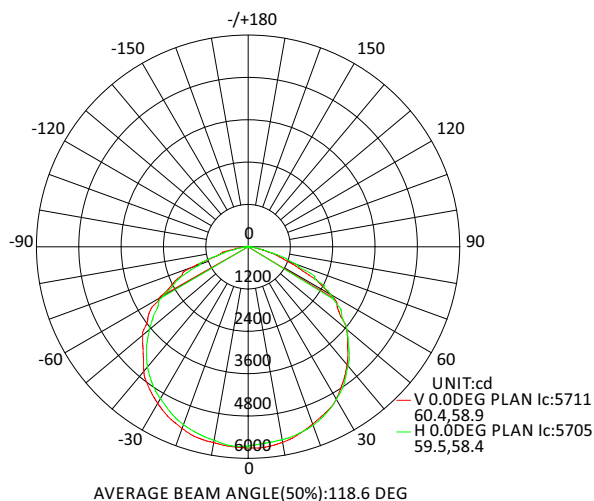
## Production Definition



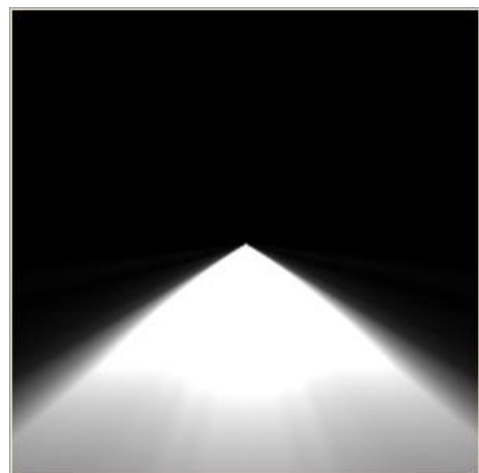
## Ordering information

P/N	Operating Voltage(V)	Luminous Flux(lm)	Power(W)	CRI	Color Temp.	CCT(K)	Temp. Classification
							-20°C~+55°C
Ex-KFF10H6V6WM-T-E	100~277 AC (141~392 DC)	1260	10	80	Warm white	3000±300	T6
Ex-KFF10H6V6NH-T-E		1365	10	70	Natural white	4000±300	
Ex-KFF10H6V6NH-T-E		1365	10	70	Natural white	5000±300	
Ex-KFF10H6V6CH-T-E		1365	10	70	Cool white	5700±300	
Ex-KFF15H6V6WM-T-E		1890	15	80	Warm white	3000±300	
Ex-KFF15H6V6NH-T-E		2047	15	70	Natural white	4000±300	
Ex-KFF15H6V6NH-T-E		2047	15	70	Natural white	5000±300	
Ex-KFF15H6V6CH-T-E		2047	15	70	Cool white	5700±300	

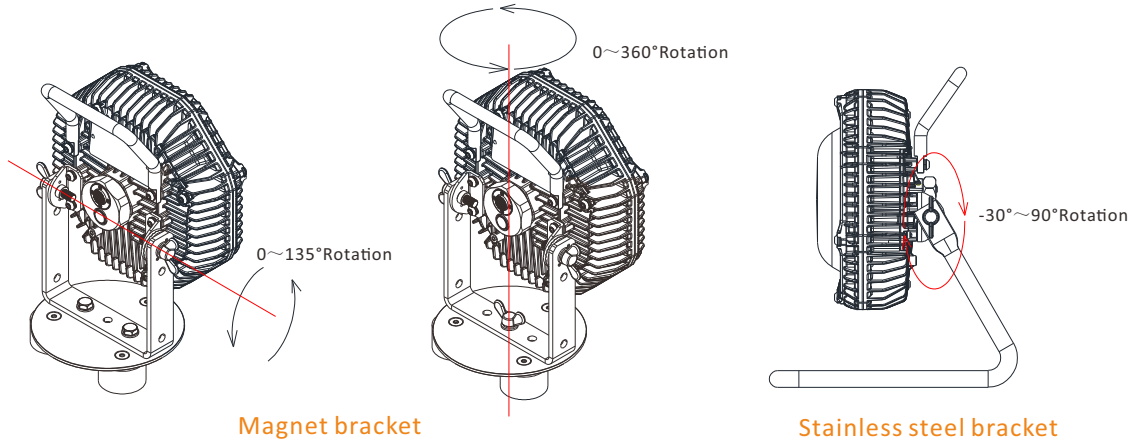
## Candela Distribution



H6V6(120°)/High efficacy LED Source

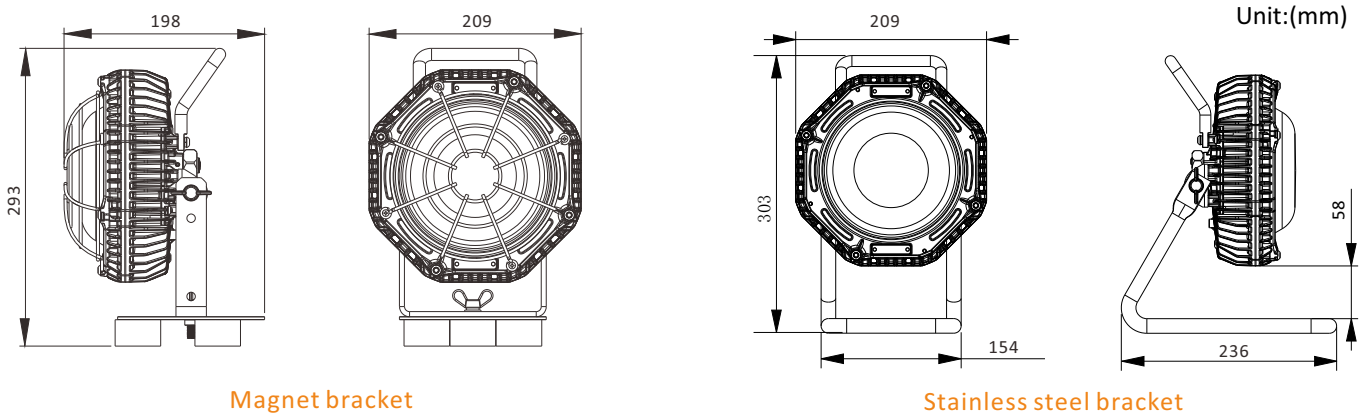


## Installation Method



Remarks: The thickness of adsorbed substance should be not less than 3mm.

## Size



## Optional Parts

No.	Installation accessories	Part No.	Picture	Material	Weight(Kg)	QTY	Remark
1	Magnetic Bracket	MB-FF-O		Q235	1.2	1	Magnet bracket
2	Bracket	PB-FF-O		SUS304	0.56	1	Stainless steel bracket