

LED Explosion Proof Light

**ATEX & IECEx Certified LED Floodlight/bay light in Hazardous Area.
Golden Frog Series**

⚡ II2 G Ex d IIB T5 or T6 Gb

⚡ II2 D Ex t IIIC T95°C or T80°C Db Ip66





Features And Benefits:

- High efficacy LED Source with long lifespan, L70 > 100,000 hours @ 25°C ambient
- 5-year performance warranty
- Low THD around 10%, Less interference
- 5KV Surge Protection
- Robust aluminium housing and strong tempered glass
- Vibration and shock resistant
- Low maintenance

Applications:



Oil&Gas Exploration



Drilling



Oil Refinery



Petrochemical Plant



Power Plant



Pharmaceutical Plant



ATEX & IECEX Certified LED Floodlight/bay light in Hazardous Area.

LED Floodlight/bay light

Standard & Certificate:

Ex Mark:	Gas: Ⓜ II 2 G Ex d IIB T5 or T6 Gb Dust: Ⓜ II 2 D Ex t IIIC T95°C or T80°C Db IP66
Certificate:	<ul style="list-style-type: none"> • ATEX Certification NO.: LCIE 12 ATEX 3070X • IECEx Certification NO.: IECEx CQM 12.0033X • CE • RoHS
Executive Standard:	<ul style="list-style-type: none"> • (IEC)EN 60079-0, (IEC)EN 60079-1, (IEC)EN 60079-31 • EN 55015, EN 61547, EN 61000-3-2, EN 61000-3-3, • EN 60598-1, EN 60598-2-5, EN 62031, EN 62493, • IEC 62321-4, IEC 62321-5, IEC 62321-6, IEC 62321-7-1, • IEC 62321-7-2, IEC 62321-8
Classification:	<ul style="list-style-type: none"> • Group II Zone 1 & 21 and 2 & 22

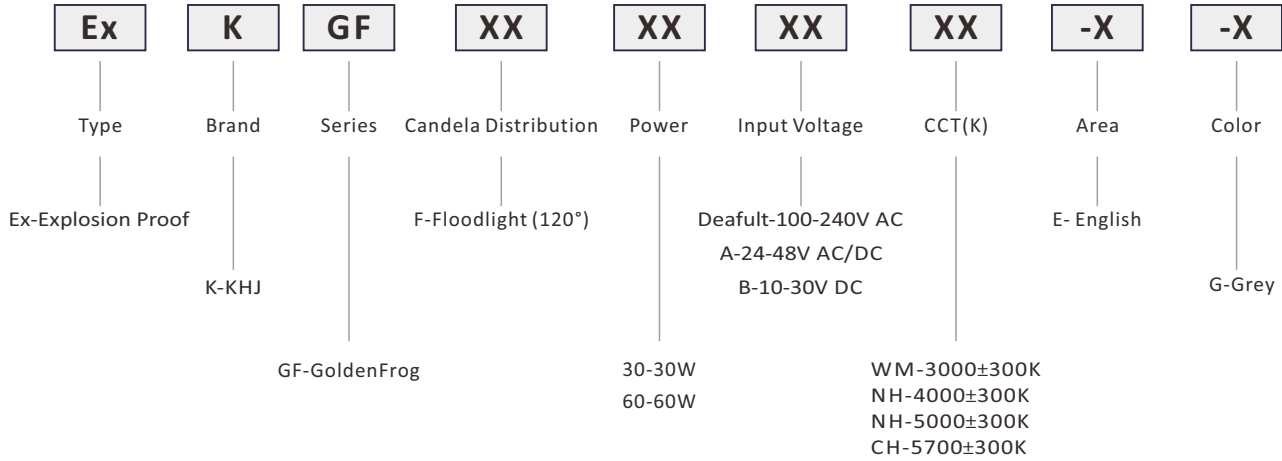
Electrical & Photometric Features:

Luminaire Efficacy:	150lm/W
Lifespan:	>100,000 hours
Operating Voltage:	24-48 VAC/100-240 VAC 10-30 VDC/24-48 VDC/141-339 VDC
Power:	30W/60W
Frequency:	50/60Hz
Power Factor:	>0.98
THD:	<10%
CRI:	>70
Insulation Class:	I
Surge Protection:	5KV
LED Driver:	Over voltage protection/short circuit protection

Mechanical Features:

Weight:	5.5Kg
Size:	311*284*190mm
Ambient Temperature:	-40°C-+55°C
Connecting Terminals:	3*1.0-4.0mm ² (L+N+PE)
Cable Entries:	2XNPT 3/4" (M20*1.5, M25*1.5 are optional)
Earthing Protection:	M4 (Internal & external earth bolts)
IP Code:	IP66
Enclosure Material:	Die-casting aluminium alloy
Enclosure Colour:	Grey RAL7040
Coating:	Epoxy powder coating
Exposed Fastener:	Stainless steel
Protective Cover:	Tempered glass, Stand 7J impact

Production Definition

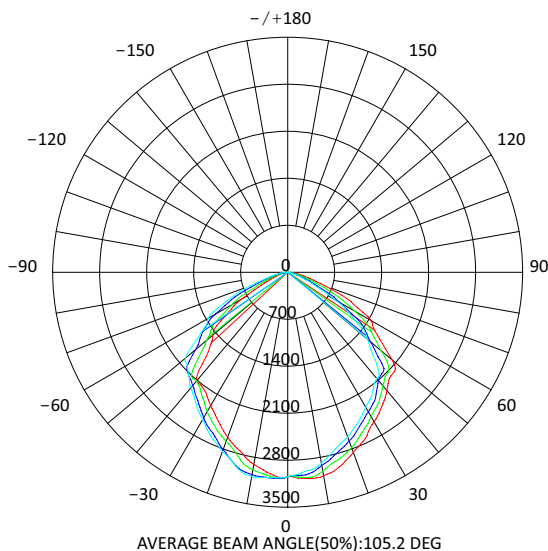


Ordering information

P/N	Operating Voltage(V)	Luminous Flux(lm)	Power(W)	Color Temp.	CCT(K)	Beam Distribution	Temp. Classification -40℃~+55℃
Ex-KGFF30WM-E-G	100~240 AC (141~339 DC)	4050	30	Warm white	3000±300	120°	T6
Ex-KGFF30NH-E-G		4500	30	Natural white	4000±300	120°	T6
Ex-KGFF30NH-E-G		4500	30	Natural white	5000±300	120°	T6
Ex-KGFF30CH-E-G		4500	30	Cool white	5700±300	120°	T6
Ex-KGFF60WM-E-G		8100	60	Warm white	3000±300	120°	T6/T5
Ex-KGFF60NH-E-G		9000	60	Natural white	4000±300	120°	T6/T5
Ex-KGFF60NH-E-G		9000	60	Natural white	5000±300	120°	T6/T5
Ex-KGFF60CH-E-G		9000	60	Cool white	5700±300	120°	T6/T5

Remark: Operating voltage including Default-100~240V AC; A-24-48V AC/DC; B-10-30V DC

Candela Distribution



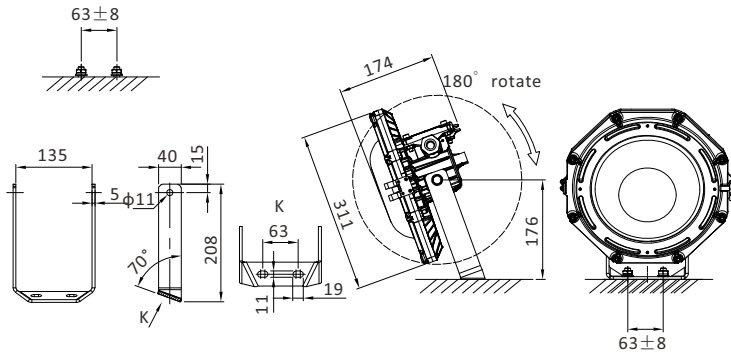
F-Flood light(120°)/High efficacy LED Source



Installation Method

Stanchion Mount:

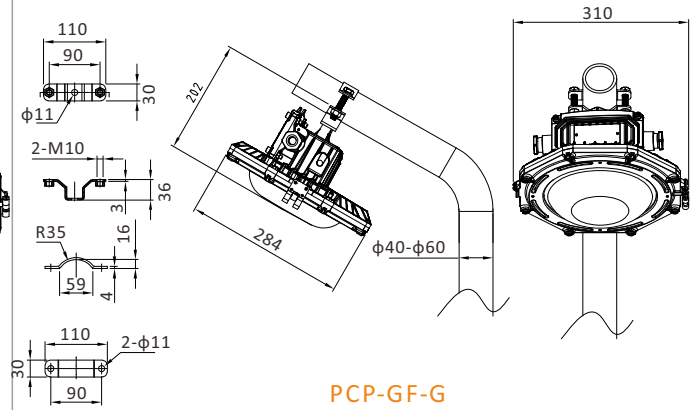
(unit:mm)



SBT-GF-G

Pipe Clamp:

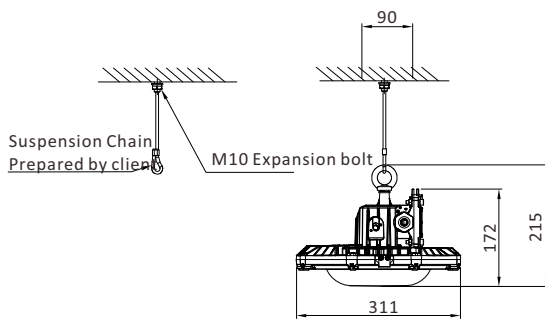
(unit:mm)



PCP-GF-G

Pendant Mount:

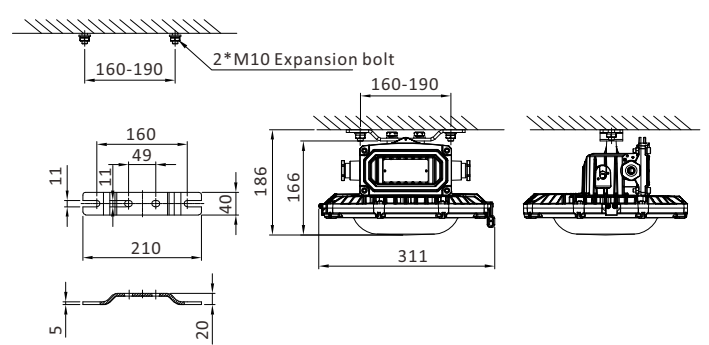
(unit:mm)



LO-GF-MC

Ceiling Mount:

(unit:mm)



BR-GF-G

Optional Parts

No.	Installation accessories	Part No.	Picture	Material	Weight(Kg)	QTY	Remark
1	Bracket	BR-GF-G		Q235	0.4	1	Ceiling mount
2	Stanchion Bracket	SBT-GF-G		Q235	0.4	1	Stanchion mount
3	Guard	GU-GF-MC		SUS304	0.3	1	/
4	Loop	LO-GF-MC		SUS316	0.1	1	Pendant mount
5	Pipe Clamp	PCP-GF-G		Q235	0.27	1	Pipe clamp