



## LED Industrial Light

**CE & RoHS Certified LED Floodlight/bay light in Industrial Area.  
Golden Frog Series**

**CE RoHS**

[www.khjled.com](http://www.khjled.com)



## Features And Benefits:

- High efficacy LED Source with long lifespan, L70 > 100,000 hours @ 25°C ambient
- 5-year performance warranty
- Low THD around 10%, Less interference
- 5KV Surge Protection
- Robust aluminium housing and strong tempered glass
- Vibration and shock resistant
- Low maintenance

## Applications:



Cement plants



Warehouse



Factory



Power Generation



Power Transmission



Shipping industry

# CE RoHS

CE & RoHS Certified LED Floodlight/bay light in Industrial Area.

## LED Floodlight/bay light

### Standard & Certificate:

Certificate:	• CE • RoHS • ABS
Executive Standard:	• EN 55015, EN 61547, EN 61000-3-2, EN 61000-3-3 • EN 60598-1, EN 60598-2-5, EN 62031, EN 62493 • IEC 62321-4, IEC 62321-5, IEC 62321-6 • IEC 62321-7-1, IEC 62321-7-2, IEC 62321-8

### Electrical & Photometric Features:

Luminaire Efficacy:	150lm/W
Lifespan:	>100,000 hours
Operating Voltage:	24-48 VAC/100-277 VAC 10-30 VDC/24-48 VDC/141-392 VDC
Power:	30W/60W
Frequency:	50/60Hz
Power Factor:	>0.98
THD:	<10%
CRI:	>70
Insulation Class:	I
Surge Protection:	5KV
LED Driver:	Over voltage protection/short circuit protection

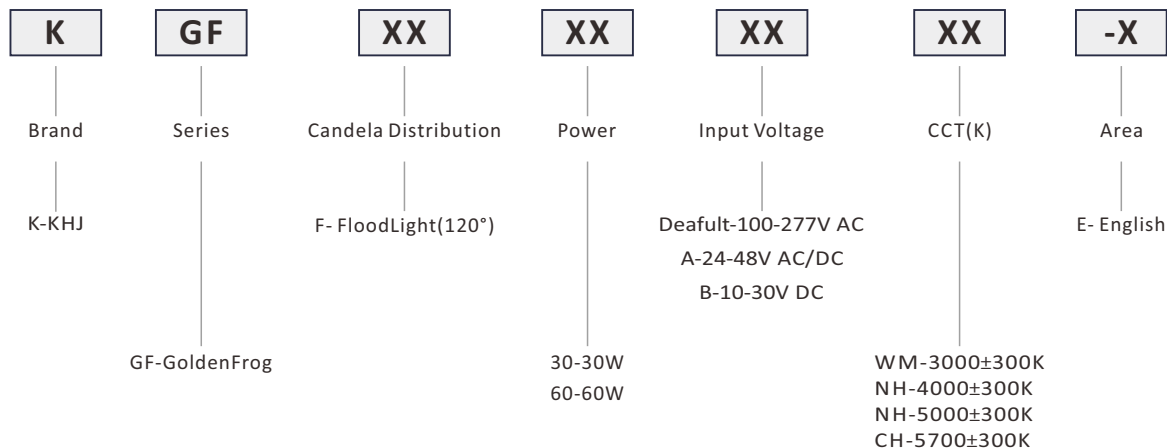
### Mechanical Features:

Weight:	5.5Kg
Size:	311*284*190mm
Ambient Temperature:	-40°C-+55°C
Connecting Terminals:	3*1.0-4.0mm <sup>2</sup> (L+N+PE)
Cable Entries:	2XM25*1.5 (M20*1.5 is optional)
Earthing Protection:	M4 (Internal & external earth bolts)
IP Code:	IP66
Enclosure Material:	Die-casting aluminium alloy
Enclosure Colour:	Grey RAL7040)
Coating:	Epoxy powder coating
Exposed Fastener:	Stainless steel
Protective Cover:	Tempered glass,Stand 7J impact

# CE RoHS

CE & RoHS Certified LED Floodlight/bay light in Industrial Area.

## Production Definition

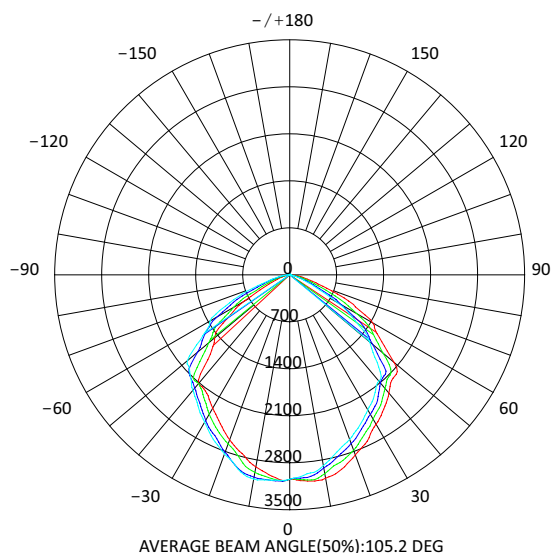


## Ordering information

P/N	Operating Voltage(V)	Luminous Flux(lm)	Power(W)	Color Temp.	CCT(K)
KGFF30WM-E	100~240 AC (141~339 DC)	4050	30	Warm white	3000±300
KGFF30NH-E		4500	30	Natural white	4000±300
KGFF30NH-E		4500	30	Natural white	5000±300
KGFF30CH-E		4500	30	Cool white	5700±300
KGFF60WM-E		8100	60	Warm white	3000±300
KGFF60NH-E		9000	60	Natural white	4000±300
KGFF60NH-E		9000	60	Natural white	5000±300
KGFF60CH-E		9000	60	Cool white	5700±300

Remark: Operating voltage including Default-100~240V AC; A-24-48V AC/DC; B-10-30V DC

## Candela Distribution



F-Flood light(120°)/High efficacy LED Source



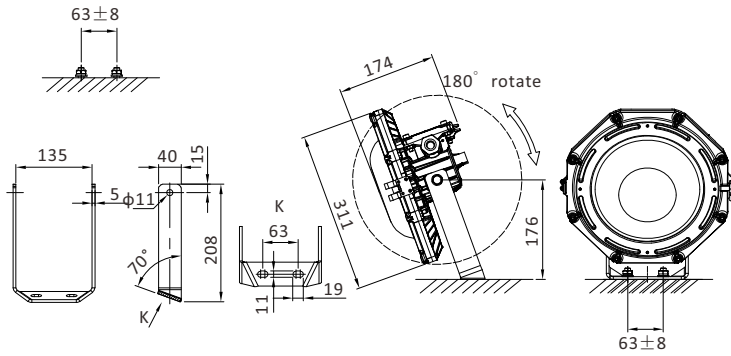
# CE RoHS

CE & RoHS Certified LED Floodlight/bay light in Industrial Area.

## Installation Method

### Stanchion Mount:

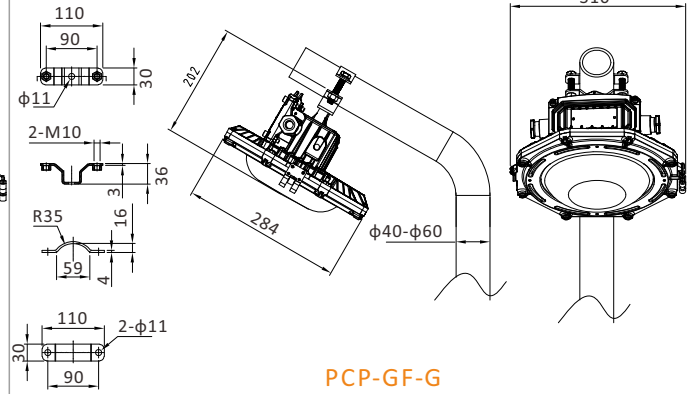
(unit:mm)



SBT-GF-G

### Pipe Clamp:

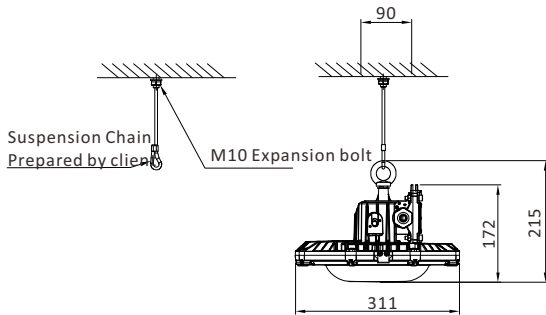
(unit:mm)



PCP-GF-G

### Pendant Mount:

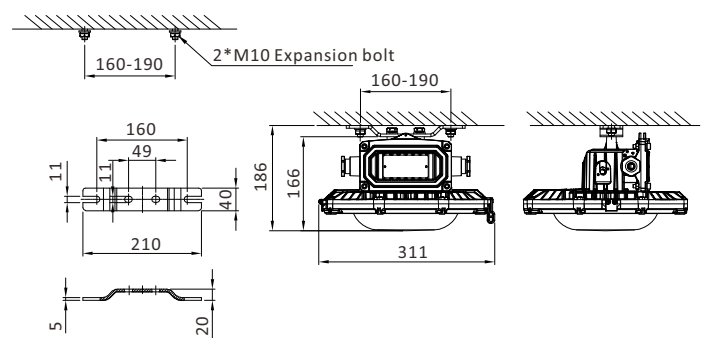
(unit:mm)



LO-GF-MC

### Ceiling Mount:

(unit:mm)



BR-GF-G

## Optional Parts

No.	Installation accessories	Part No.	Picture	Material	Weight(Kg)	QTY	Remark
1	Bracket	BR-GF-G		Q235	0.4	1	Ceiling mount
2	Stanchion Bracket	SBT-GF-G		Q235	0.4	1	Stanchion mount
3	Guard	GU-GF-MC		SUS304	0.3	1	/
4	Loop	LO-GF-MC		SUS316	0.1	1	Pendant mount
5	Pipe Clamp	PCP-GF-G		Q235	0.27	1	Pipe clamp
6	Safety Chain	SSR-GF-SUS304		SUS304	0.06	1	0.8m