



LED Explosion Proof Light

**ATEX & IECEx Certified LED Floodlight/bay light
High bay light in Hazardous Area.**

SeaLion Series

⚡ II2 G Ex db II C T4/T5 Gb

⚡ II2 D Ex tb II C T115°C/105°/T95°C Db IP66





Features And Benefits:

- High efficacy LED Source with long lifespan, L70 > 100,000 hours @ 25°C ambient
- 5-year performance warranty
- Low THD around 10%, Less interference
- 4KV/Line-Line 6KV/Line-Earth
- Robust aluminium housing and strong tempered glass
- Vibration and shock resistant
- Low maintenance

Applications:



Oil&Gas Exploration



Drilling



Oil Refinery



Petrochemical Plant



Power Plant



Pharmaceutical Plant



ATEX & IECEx Certified LED Floodlight/bay light/High bay light in Hazardous Area.

Standard & Certificate:

Ex Mark:	Gas: Ⓜ II2 G Ex db IIC T4/T5 Gb Dust: Ⓜ II2 D Ex tb IIIC T115°C/105° /T95°C Db IP66
Certificate:	• ATEX Certification NO.: TÜV 20 ATEX 8608 X •CE • IECEx Certification NO.: IECEx TUR 20.0086X •RoHS
Executive Standard:	• (IEC)EN 60079-0,(IEC)EN 60079-1 • (IEC)EN 60079-31 • EN 55015,EN 61000-3-3,EN 61547,EN 61000-3-2 • EN 60598-1,EN 62493,EN 60598-2-5,EN 62031 • IEC 62321-4,IEC 62321-7-1,IEC 62321-5,IEC 62321-7-2 • IEC 62321-6,IEC 62321-8
Classification:	Group II, Zone 1 & 21 and 2 & 22

Electrical & Photometric Features:

Luminaire Efficacy:	136.5lm/W
Lifespan:	>100,000 hours
Operating Voltage:	20-30 VAC/100-277 VAC/347-480 VAC 20-30 VDC/28-42 VDC/141-392 VDC/491-679 VDC
Power:	30W/45W/60W/80W/100W/120W/150W/200W/240W/300W
Frequency:	50/60Hz
Power Factor:	>0.98
THD:	<10%
Insulation Class:	I
Surge Protection:	4KV/6KV
LED Driver:	Over voltage protection/short circuit protection

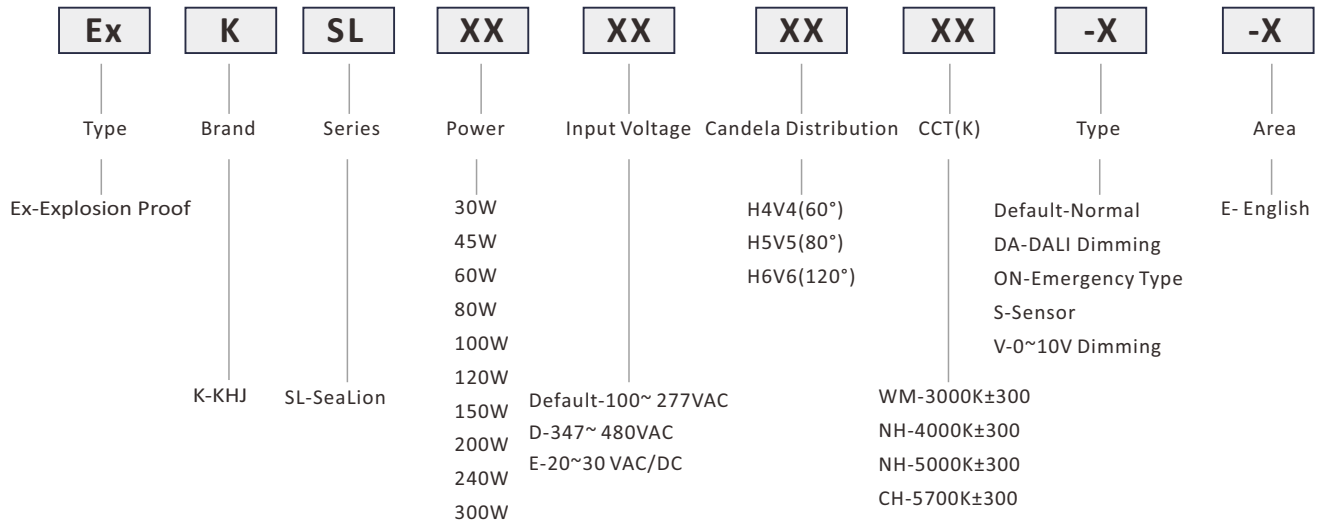
Mechanical Features:

Weight:	8.5Kg(30-80W)/11Kg(100-150W)/14Kg(200-300W)
Size:	φ 275*195mm(30-80W)/ φ 330*197mm(100-150W) φ 415*197mm(200-300W)
Ambient Temperature:	-40°C-+55°C(30-300W)/-40°C-+65°C(30W/45W/60W/100W/120W)
Connecting Terminals:	3*1.0-4mm ² (L+N+PE)
Cable Entries:	2XNPT 3/4" (M20*1.5, M25*1.5 are optional)
Earthing Protection:	M4 (Internal & external earth bolts)
IP Code:	IP66
Enclosure Material:	Die-casting aluminium alloy
Enclosure Colour:	Grey RAL7040
Coating:	Epoxy powder coating
Exposed Fastener:	Stainless steel
Protective Cover:	Tempered glass,Stand 7J impact

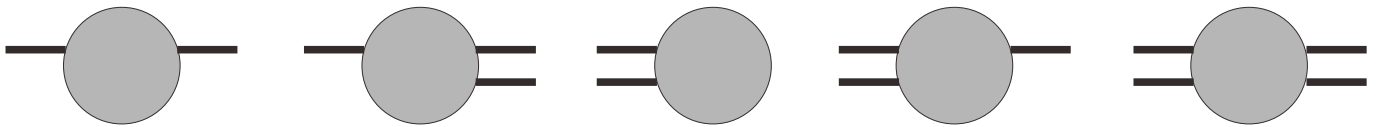
Product Differentiation

Rated Power	Operating Voltage:			Temp. Classification		Emergency optional -20°C-+55°C
	100-277VAC	347-480VAC	20-30VAC/DC	-40°C-+55°C	-40°C-+65°C	
30W	●	/	/	T5	T4	●
45W	●	/	/	T5	T4	●
60W	●	●	/	T5	T4	●
80W	●	●	/	T5	/	●
100W	●	●	●	T5	T4	●
120W	●	●	●	T5	T4	●
150W	●	●	●	T5	/	●
200W	●	●	/	T5	/	●
240W	●	●	/	T5	/	●
300W	●	/	/	T4	/	/

Production Definition



Entry Type



Remark: 300W is only available with the cable entry at one side

Ordering Information

P/N	Operating Voltage(V)	Luminous Flux(lm)	Power(W)	CRI	Color Temp.	CCT(K)	Temp. Classification	
							-40°C~+55°C	-40°C~+65°C
Ex-KSL30*WM-E	100~277 AC (141~392 DC)	3795	30	70	Warm white	3000±300	T5	T4
Ex-KSL30*NH-E		4095	30	70	Natural white	4000±300	T5	T4
Ex-KSL30*NH-E		4095	30	70	Natural white	5000±300	T5	T4
Ex-KSL30*CH-E		4095	30	70	Cool white	5700±300	T5	T4
Ex-KSL45*WM-E		5693	45	70	Warm white	3000±300	T5	T4
Ex-KSL45*NH-E		6143	45	70	Natural white	4000±300	T5	T4
Ex-KSL45*NH-E		6143	45	70	Natural white	5000±300	T5	T4
Ex-KSL45*CH-E		6143	45	70	Cool white	5700±300	T5	T4
Ex-KSL60*WM-E		7590	60	70	Warm white	3000±300	T5	T4
Ex-KSL60*NH-E		8190	60	70	Natural white	4000±300	T5	T4
Ex-KSL60*NH-E		8190	60	70	Natural white	5000±300	T5	T4
Ex-KSL60*CH-E		8190	60	70	Cool white	5700±300	T5	T4
Ex-KSL80*WM-E		10120	80	70	Warm white	3000±300	T5	/
Ex-KSL80*NH-E		10920	80	70	Natural white	4000±300	T5	/
Ex-KSL80*NH-E		10920	80	70	Natural white	5000±300	T5	/
Ex-KSL80*CH-E		10920	80	70	Cool white	5700±300	T5	/



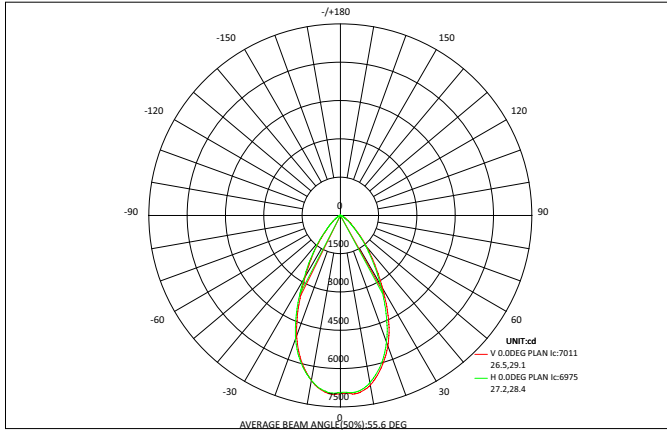
ATEX & IECEx Certified LED Floodlight/bay light/High bay light in Hazardous Area.

Ordering Information

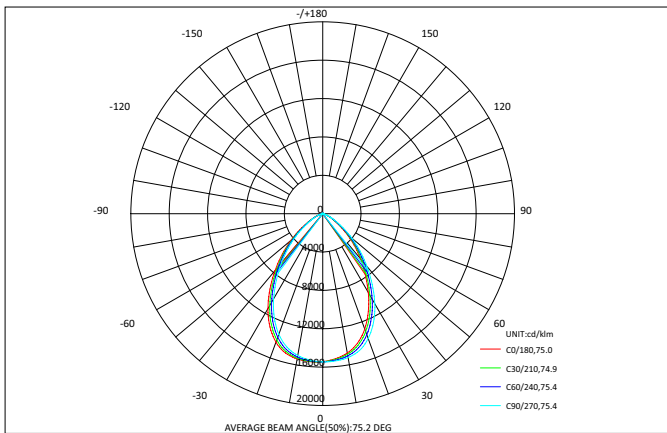
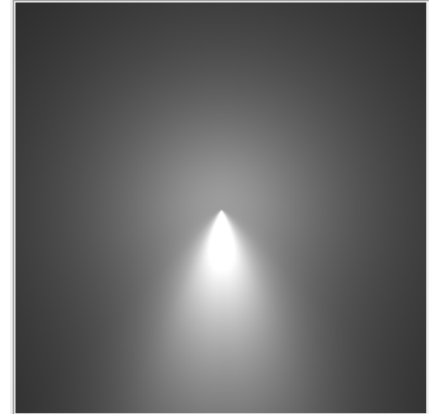
P/N	Operating Voltage(V)	Luminous Flux(lm)	Power(W)	CRI	Color Temp.	CCT(K)	Temp. Classification	
							-40℃-+55℃	-40℃-+65℃
Ex-KSL100*WM-E	100~277 AC (141~392 DC)	12650	100	70	Warm white	3000±300	T5	T4
Ex-KSL100*NH-E		13650	100	70	Natural white	4000±300	T5	T4
Ex-KSL100*NH-E		13650	100	70	Natural white	5000±300	T5	T4
Ex-KSL100*CH-E		13650	100	70	Cool white	5700±300	T5	T4
Ex-KSL120*WM-E		15180	120	70	Warm white	3000±300	T5	T4
Ex-KSL120*NH-E		16380	120	70	Natural white	4000±300	T5	T4
Ex-KSL120*NH-E		16380	120	70	Natural white	5000±300	T5	T4
Ex-KSL120*CH-E		16380	120	70	Cool white	5700±300	T5	T4
Ex-KSL150*WM-E		18975	150	70	Warm white	3000±300	T5	/
Ex-KSL150*NH-E		20475	150	70	Natural white	4000±300	T5	/
Ex-KSL150*NH-E		20475	150	70	Natural white	5000±300	T5	/
Ex-KSL150*CH-E		20475	150	70	Cool white	5700±300	T5	/
Ex-KSL200*WM-E		25300	200	70	Warm white	3000±300	T5	/
Ex-KSL200*NH-E		27300	200	70	Natural white	4000±300	T5	/
Ex-KSL200*NH-E		27300	200	70	Natural white	5000±300	T5	/
Ex-KSL200*CH-E		27300	200	70	Cool white	5700±300	T5	/
Ex-KSL240*WM-E		30360	240	70	Warm white	3000±300	T5	/
Ex-KSL240*NH-E		32760	240	70	Natural white	4000±300	T5	/
Ex-KSL240*NH-E		32760	240	70	Natural white	5000±300	T5	/
Ex-KSL240*CH-E		32760	240	70	Cool white	5700±300	T5	/
Ex-KSL300*WM-E		37950	300	70	Warm white	3000±300	T4	/
Ex-KSL300*NH-E		40950	300	70	Natural white	4000±300	T4	/
Ex-KSL300*NH-E		40950	300	70	Natural white	5000±300	T4	/
Ex-KSL300*CH-E		40950	300	70	Cool white	5700±300	T4	/

Remarks: 1.*Stands for beam angle, including H4V4 / H5V5 / H6V6 .
2.For beam angle H4V4 and H5V5,the luminous flux will be 15% less;

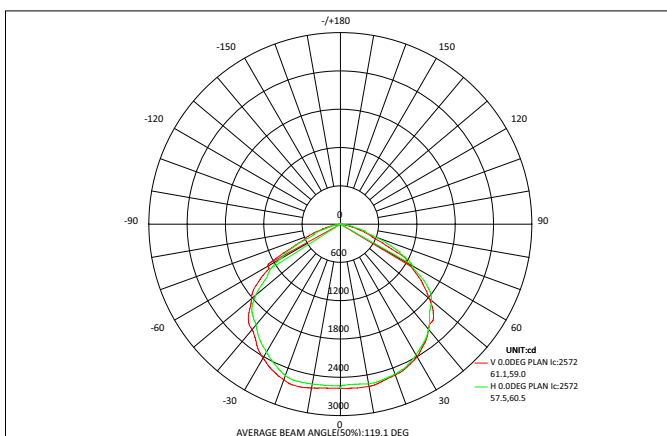
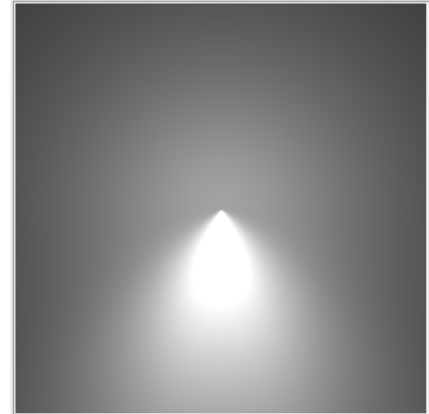
Candela Distribution



H4V4(60°)/High Efficacy LED Source



H5V5(80°)/High Efficacy LED Source



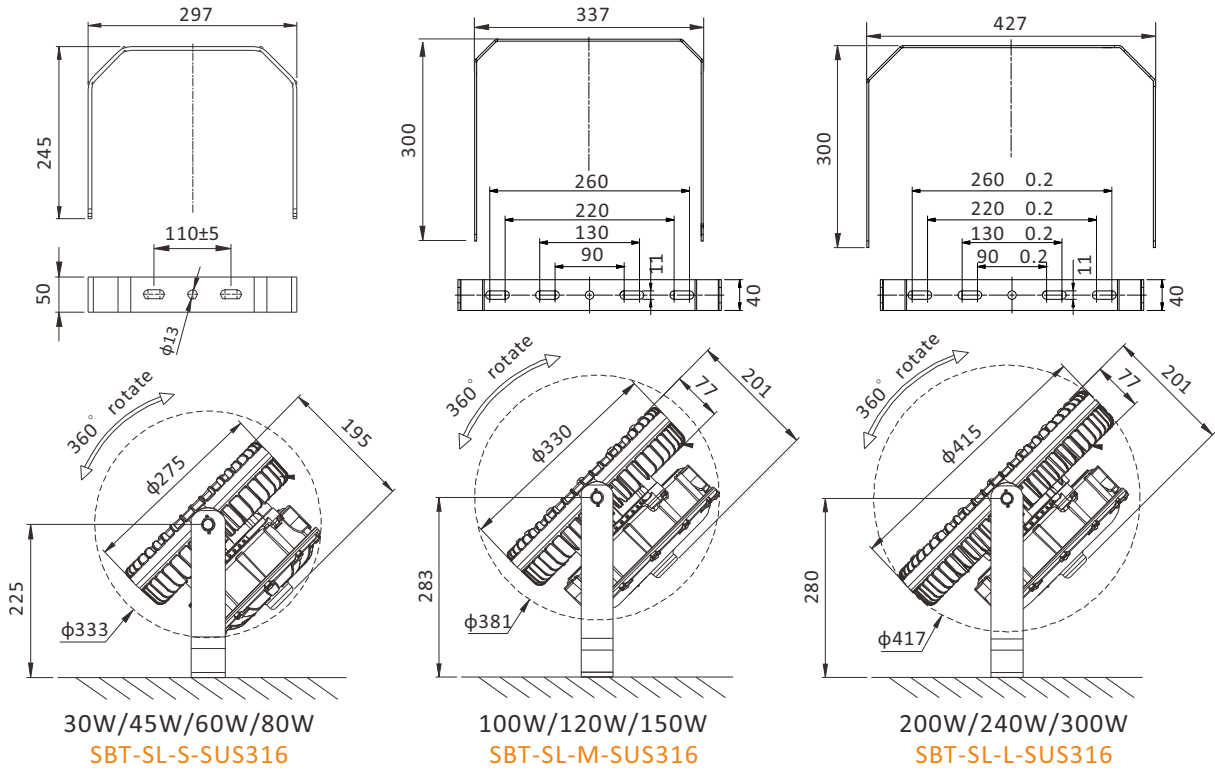
H6V6(120°)/High Efficacy LED Source



Installation Method

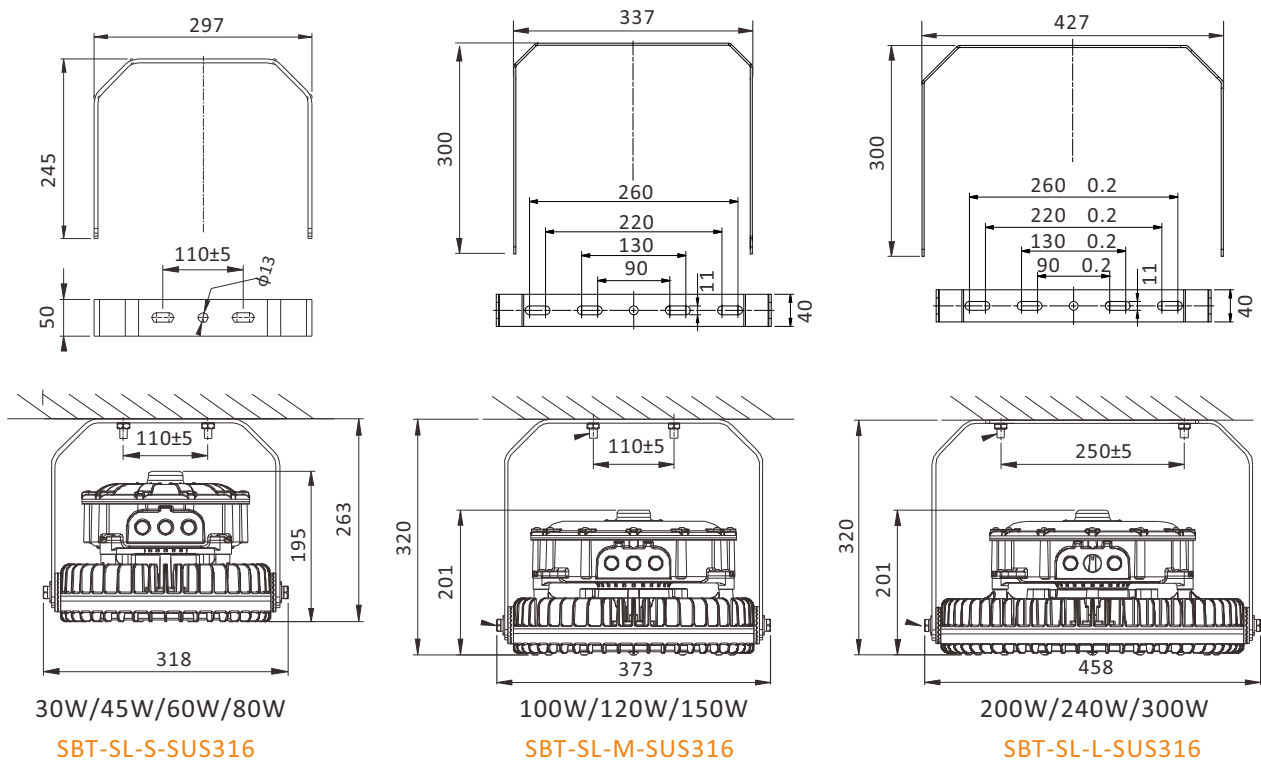
Stanchion Mount:

(unit:mm)



Ceiling Mount:

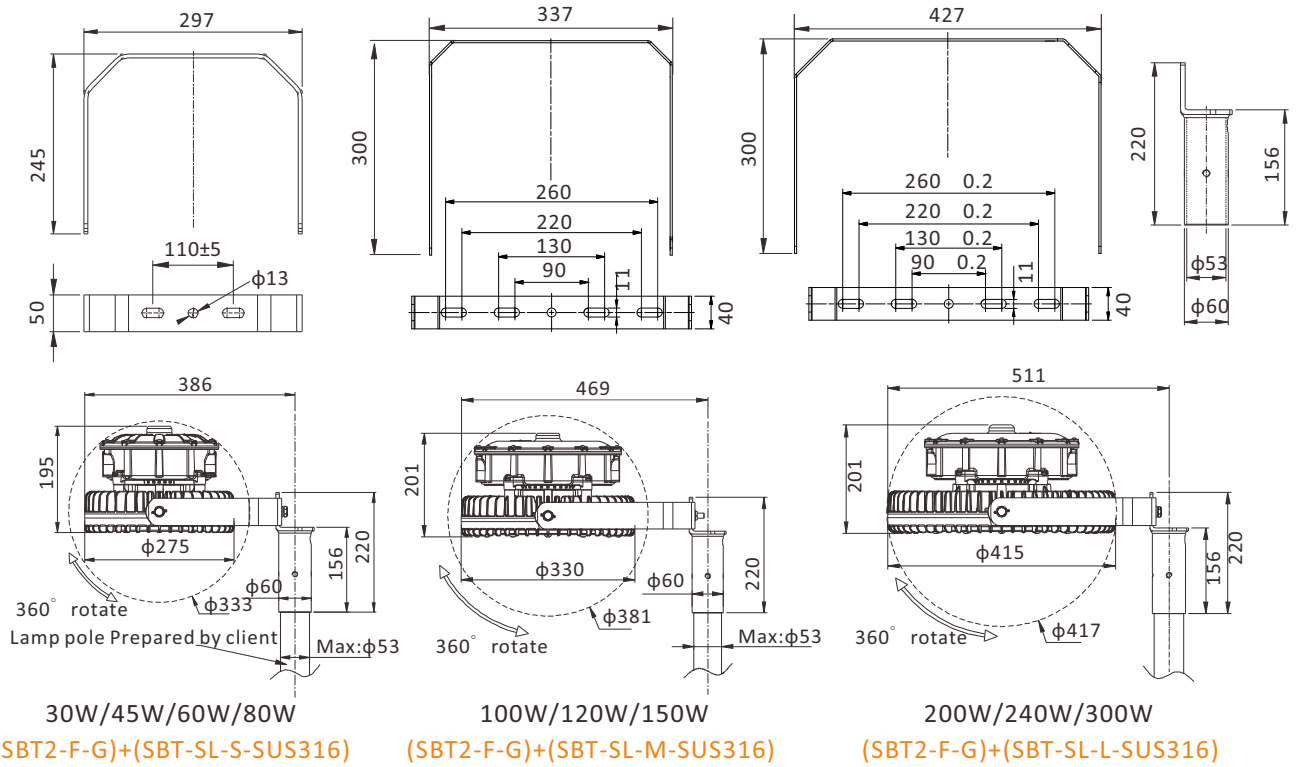
(unit:mm)



Installation Method

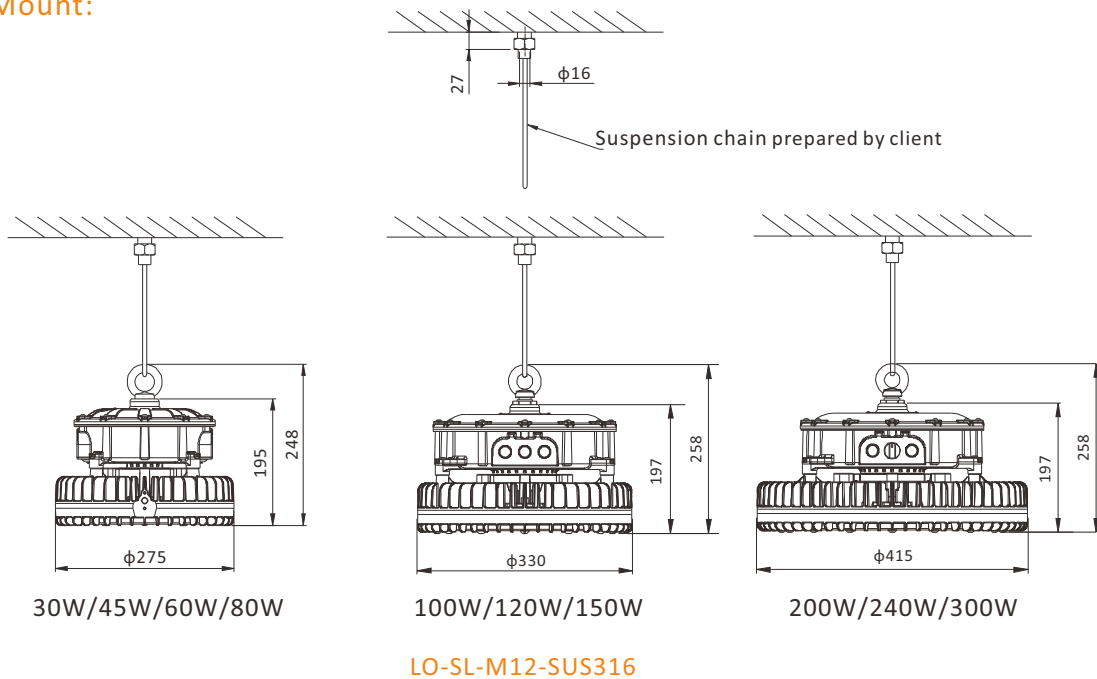
Pole Mount:

(unit:mm)



Pendant Mount:

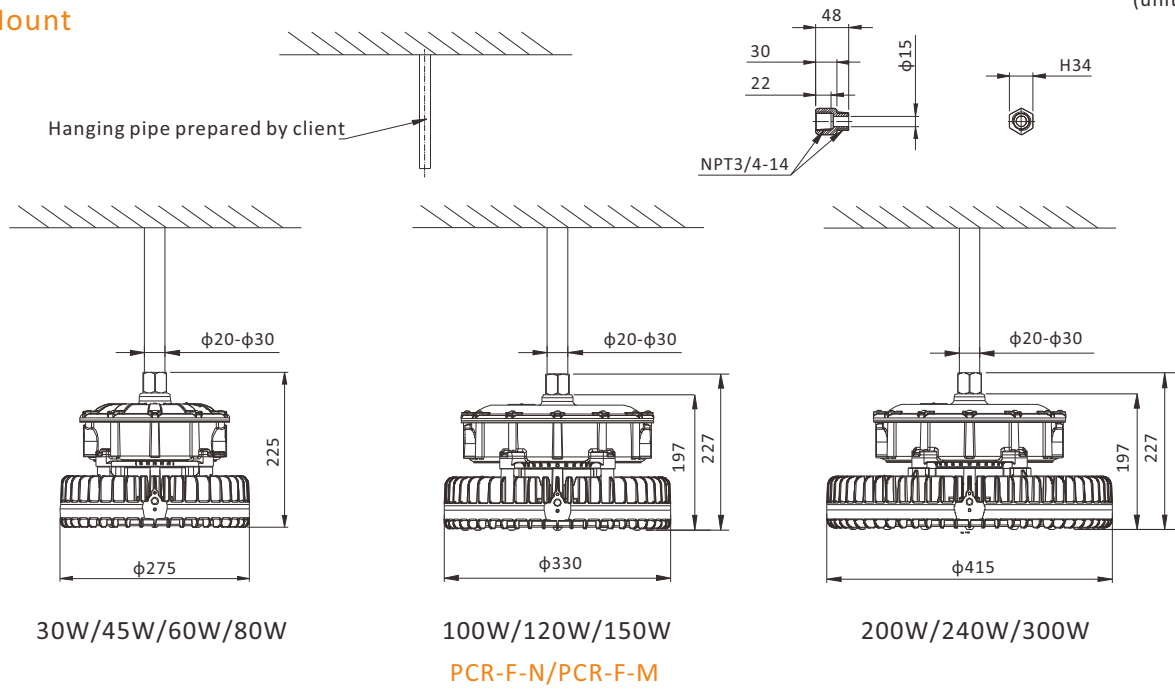
(unit:mm)



Installation Method

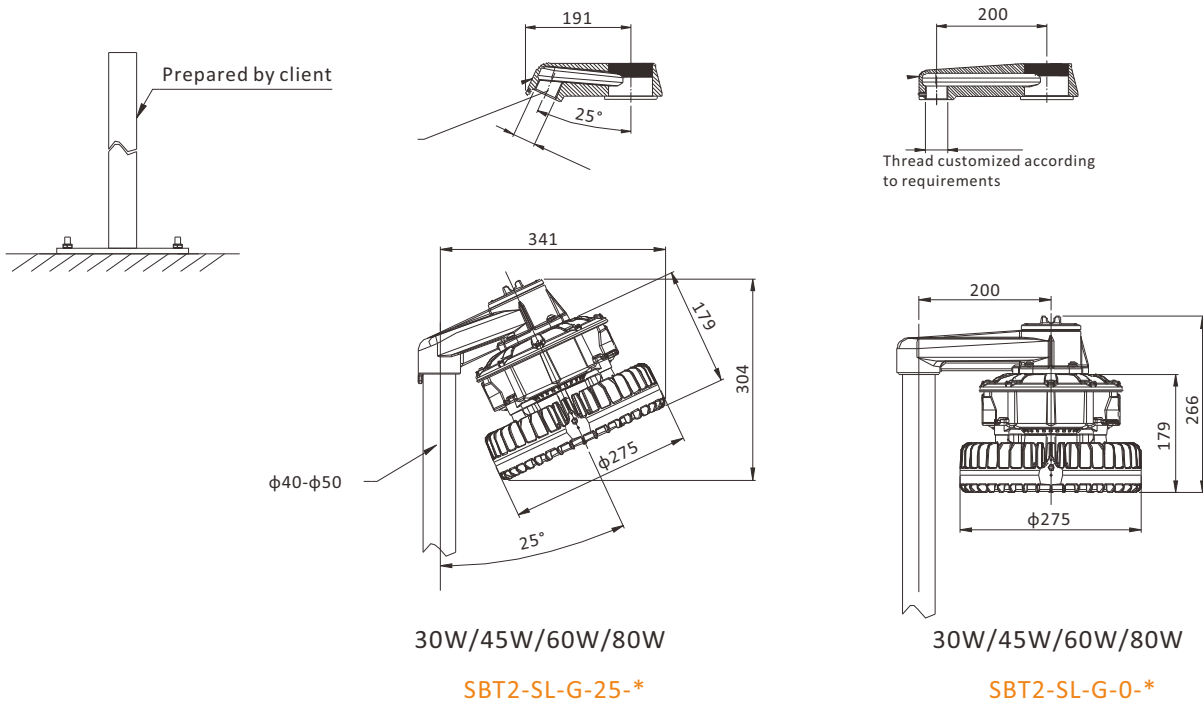
Pipe Mount

(unit:mm)



Pole Mount

(unit:mm)



Optional Parts

No.	Installation Accessories	Part No.	Picture	Material	Weight(Kg)	QTY	Remarks
1	Stanchion Bracket	SBT-SL-L-SUS316		SUS316	1.8	1	Ceiling Mount Stanchion Mount Wall Mount (200W/240W/300W)
2	Stanchion Bracket	SBT-SL-M-SUS316		SUS316	1.5	1	Ceiling Mount Stanchion Mount Wall Mount (100W/120W/150W)
3	Stanchion Bracket	SBT-SL-S-SUS316		SUS316	1.3	1	Ceiling Mount Stanchion Mount Wall Mount (30W/45W/60W/80W)
4	Loop	LO-SL-M12-SUS316		SUS316	0.26	1	Pendant Mount
5	Pipe Connector	PCR-F-N PCR-F-M		SUS304	0.28	1	Pipe Mount
6	25° Pole Mount Bracket	SBT2-SL-G-25-*		ADC12	1.14	1	Pole Mount (30W/45W/60W/80W)
7	0° Pole Mount Bracket	SBT2-SL-G-0-*		ADC12	1.34	1	Pole Mount (30W/45W/60W/80W)
8	Pole Mount Bracket	(SBT2-F-G) +(SBT-SL-S-SUS316)		SUS316+Q235	3.56	1	Pole Mount (30W/45W/60W/80W)
9	Pole Mount Bracket	(SBT2-F-G) +(SBT-SL-M-SUS316)		SUS316+Q235	3.76	1	Pole Mount (100W/120W/150W)
10	Pole Mount Bracket	(SBT2-F-G) +(SBT-SL-L-SUS316)		SUS316+Q235	4.06	1	Pole Mount (200W/240W/300W)