



LED Explosion Proof Light

**ATEX & IECEx Certified LED Floodlight/bay light
High bay light in Hazardous Area.**

Seal Series

- ⚡ II 2 G Ex ec II C T4/T5 Gc
- ⚡ II 2 D Ex tc II C T115°C/105°C/T95°C Dc IP66





Features And Benefits:

- High efficacy LED Source with long lifespan, L70 > 100,000 hours @ 25°C ambient
- 5-year performance warranty
- Low THD around 10%, Less interference
- 4KV/Line-Line 6KV/Line-Earth
- Robust aluminium housing and strong tempered glass
- Vibration and shock resistant
- Low maintenance

Applications:



Oil&Gas Exploration



Drilling



Oil Refinery



Petrochemical Plant



Power Plant



Pharmaceutical Plant



ATEX & IECEX Certified LED Floodlight/bay light/High bay light in Hazardous Area.

Standard & Certificate:	
Ex Mark:	Gas: Ⓜ II 2 G Ex ec IIC T4/T5 Gc Dust: Ⓜ II 2 D Ex tc IIIC T115°C/105°C/T95°C Dc IP66
Certificate:	<ul style="list-style-type: none"> • ATEX Certification NO.: Pending • IECEX Certification NO.: Pending • CE • RoHS
Executive Standard:	<ul style="list-style-type: none"> • (IEC)EN 60079-0, (IEC)EN 60079-7 • (IEC)EN 60079-31 • EN 55015, EN 61547, EN 61000-3-2, EN 61000-3-3, • EN 60598-1, EN 60598-2-5, EN 62031, EN 62493, • IEC 62321-1, IEC 62321-3-1, IEC 62321-4, IEC 62321-5, • IEC 62321-6, IEC 62321-7-1, IEC 62321-7-2, IEC 62321-8
Classification:	Group II, Zone 2 & 22

Electrical & Photometric Features:	
Luminaire Efficacy:	150lm/W
Lifespan:	>100,000 hours
Operating Voltage:	100~277VAC 141~392VDC(standard) 347~480VAC 491~679VDC(optional)
Power:	30W/45W/55W/80W/100W/120W/150W/200W/240W/300W
Frequency:	50/60Hz
Power Factor:	>0.98
THD:	<10%
Insulation Class:	I
Surge Protection:	4KV/6KV
LED Driver:	Over voltage protection/short circuit protection

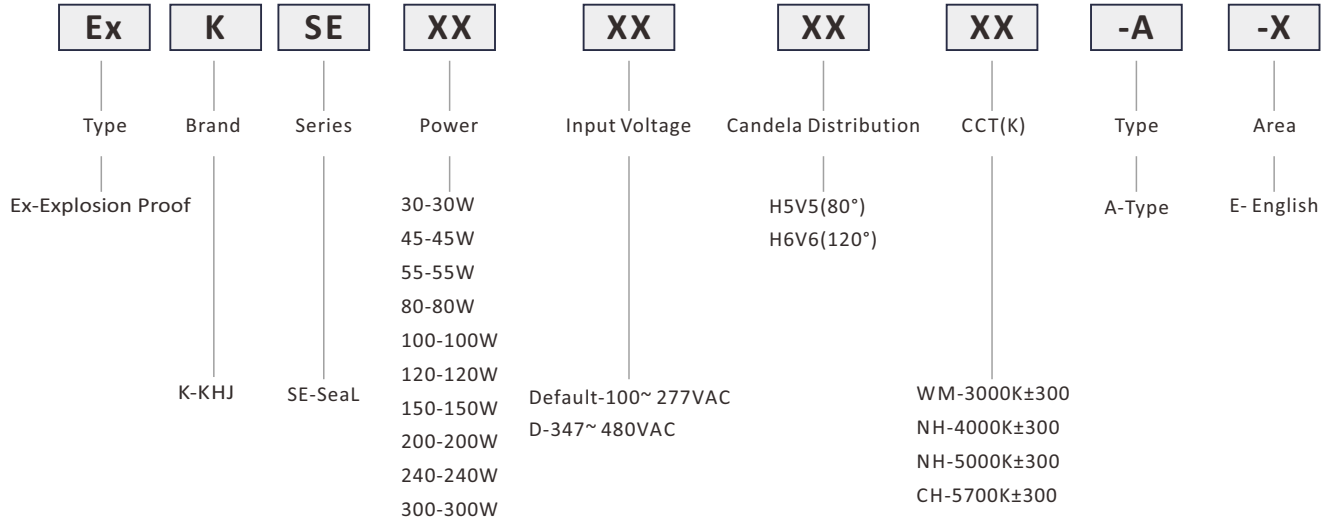
Mechanical Features:	
Weight:	2.4Kg(30W/45W/55W)/6.3Kg(80W/100W/120W/150W)/9.1Kg(200W/240W/300W)
Size:	φ 215*146mm(30W/45W/55W)/ φ 330*160mm(80W/100W/120W/150W) φ 415*160mm(200W/240W/300W)
Ambient Temperature:	-40°C~+55°C(30-300W)/-40°C~+65°C(30W/45W/55W/100W/120W)
Connecting Terminals:	3*1.0-4mm ² (L+N+PE)
Cable Entries:	2XNPT 3/4" (M20*1.5, M25*1.5 are optional)
Earthing Protection:	M4 (Internal & external earth bolts)
IP Code:	IP66
Enclosure Material:	Die-casting aluminium alloy
Enclosure Colour:	Grey RAL7040
Coating:	Epoxy powder coating
Exposed Fastener:	Stainless steel
Protective Cover:	Tempered glass, Stand 7J impact

Product Differentiation					
Rated Power	Operating Voltage:		Temp. Classification		Emergency optional
	100-277VAC	347-480VAC	-40°C~+55°C	-40°C~+65°C	-20°C~+55°C
30W	●	●	T5	T4	/
45W	●	●	T5	T4	/
55W	●	●	T5	T4	/
80W	●	●	T5	/	●
100W	●	●	T5	T4	●
120W	●	●	T5	T4	●
150W	●	●	T5	/	●
200W	●	●	T5	/	●
240W	●	●	T5	/	●
300W	●	●	T4	/	/



ATEX & IECEx Certified LED Floodlight/bay light/High bay light in Hazardous Area.

Production Definition



Ordering Information

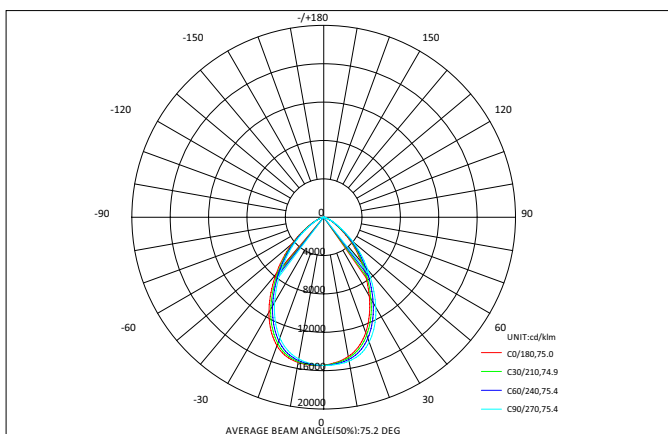
P/N	Operating Voltage(V)	Luminous Flux(lm)	Power(W)	CRI	Color Temp.	CCT(K)	Temp. Classification	
							-40°C-+55°C	-40°C-+65°C
Ex-KSE30*WM-A-E	100~277 AC (347~480 DC)	4185	30	70	Warm white	3000±300	T5	T4
Ex-KSE30*NH-A-E		4500	30	70	Natural white	4000±300	T5	T4
Ex-KSE30*NH-A-E		4500	30	70	Natural white	5000±300	T5	T4
Ex-KSE30*CH-A-E		4500	30	70	Cool white	5700±300	T5	T4
Ex-KSE45*WM-A-E		6278	45	70	Warm white	3000±300	T5	T4
Ex-KSE45*NH-A-E		6750	45	70	Natural white	4000±300	T5	T4
Ex-KSE45*NH-A-E		6750	45	70	Natural white	5000±300	T5	T4
Ex-KSE45*CH-A-E		6750	45	70	Cool white	5700±300	T5	T4
Ex-KSE55*WM-A-E		7673	55	70	Warm white	3000±300	T5	T4
Ex-KSE55*NH-A-E		8250	55	70	Natural white	4000±300	T5	T4
Ex-KSE55*NH-A-E		8250	55	70	Natural white	5000±300	T5	T4
Ex-KSE55*CH-A-E		8250	55	70	Cool white	5700±300	T5	T4
Ex-KSE80*WM-A-E		11160	80	70	Warm white	3000±300	T5	/
Ex-KSE80*NH-A-E		12000	80	70	Natural white	4000±300	T5	/
Ex-KSE80*NH-A-E		12000	80	70	Natural white	5000±300	T5	/
Ex-KSE80*CH-A-E		12000	80	70	Cool white	5700±300	T5	/
Ex-KSE100*WM-A-E		13950	100	70	Warm white	3000±300	T5	T4
Ex-KSE100*NH-A-E		15000	100	70	Natural white	4000±300	T5	T4
Ex-KSE100*NH-A-E		15000	100	70	Natural white	5000±300	T5	T4
Ex-KSE100*CH-A-E		15000	100	70	Cool white	5700±300	T5	T4

Ordering Information

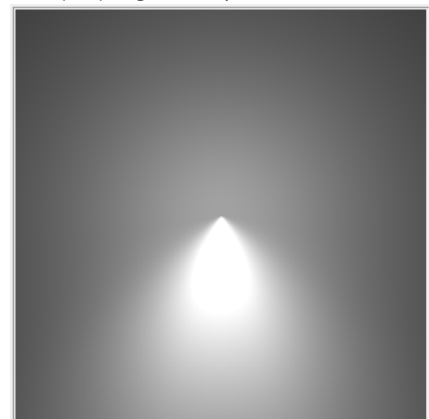
P/N	Operating Voltage(V)	Luminous Flux(lm)	Power(W)	CRI	Color Temp.	CCT(K)	Temp. Classification	
							-40℃-+55℃	-40℃-+65℃
Ex-KSE120*WM-A-E	100~277 AC (347~480 DC)	16740	120	70	Warm white	3000±300	T5	T4
Ex-KSE120*NH-A-E		18000	120	70	Natural white	4000±300	T5	T4
Ex-KSE120*NH-A-E		18000	120	70	Natural white	5000±300	T5	T4
Ex-KSE120*CH-A-E		18000	120	70	Cool white	5700±300	T5	T4
Ex-KSE150*WM-A-E		20925	150	70	Warm white	3000±300	T5	/
Ex-KSE150*NH-A-E		22500	150	70	Natural white	4000±300	T5	/
Ex-KSE150*NH-A-E		22500	150	70	Natural white	5000±300	T5	/
Ex-KSE150*CH-A-E		22500	150	70	Cool white	5700±300	T5	/
Ex-KSE200*WM-A-E		27900	200	70	Warm white	3000±300	T5	/
Ex-KSE200*NH-A-E		30000	200	70	Natural white	4000±300	T5	/
Ex-KSE200*NH-A-E		30000	200	70	Natural white	5000±300	T5	/
Ex-KSE200*CH-A-E		30000	200	70	Cool white	5700±300	T5	/
Ex-KSE240*WM-A-E		33480	240	70	Warm white	3000±300	T5	/
Ex-KSE240*NH-A-E		36000	240	70	Natural white	4000±300	T5	/
Ex-KSE240*NH-A-E		36000	240	70	Natural white	5000±300	T5	/
Ex-KSE240*CH-A-E		36000	240	70	Cool white	5700±300	T5	/
Ex-KSE300*WM-A-E		41850	300	70	Warm white	3000±300	T4	/
Ex-KSE300*NH-A-E		45000	300	70	Natural white	4000±300	T4	/
Ex-KSE300*NH-A-E		45000	300	70	Natural white	5000±300	T4	/
Ex-KSE300*CH-A-E		45000	300	70	Cool white	5700±300	T4	/

Remarks: 1.*Stands for beam angle, including H5V5 / H6V6 .
2.For beam angle H5V5,the luminous flux will be 8% less;

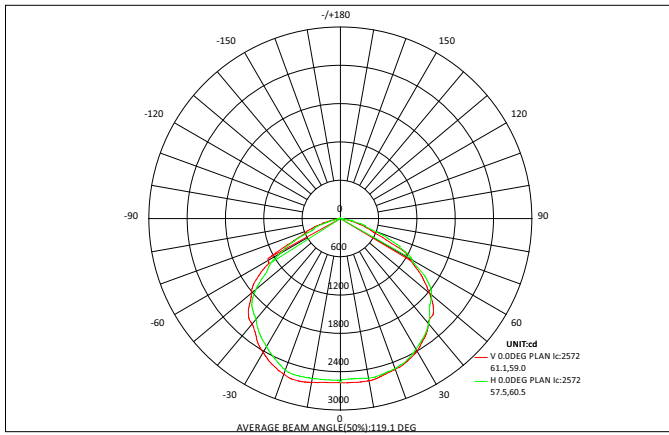
Candela Distribution



H5V5(80°)/High Efficacy LED Source



Candela Distribution



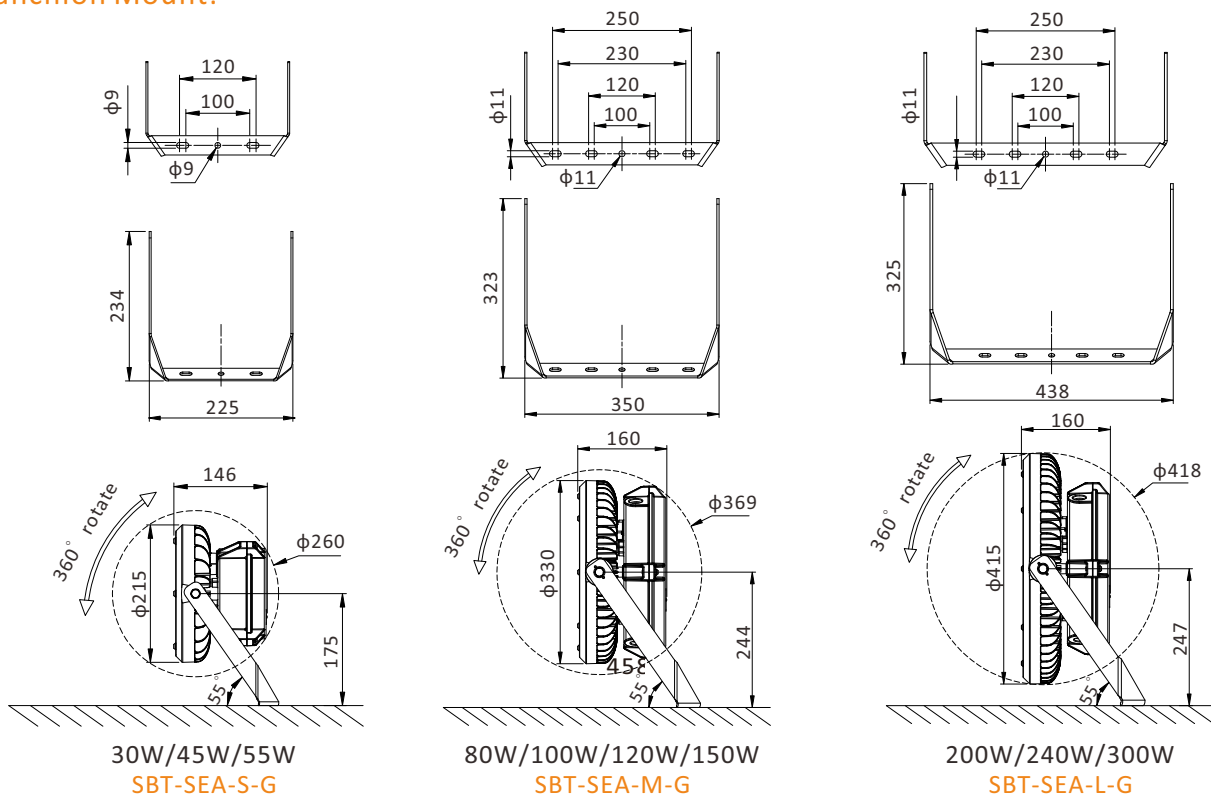
H6V6(120°)/High Efficacy LED Source



Installation Method

Stanchion Mount:

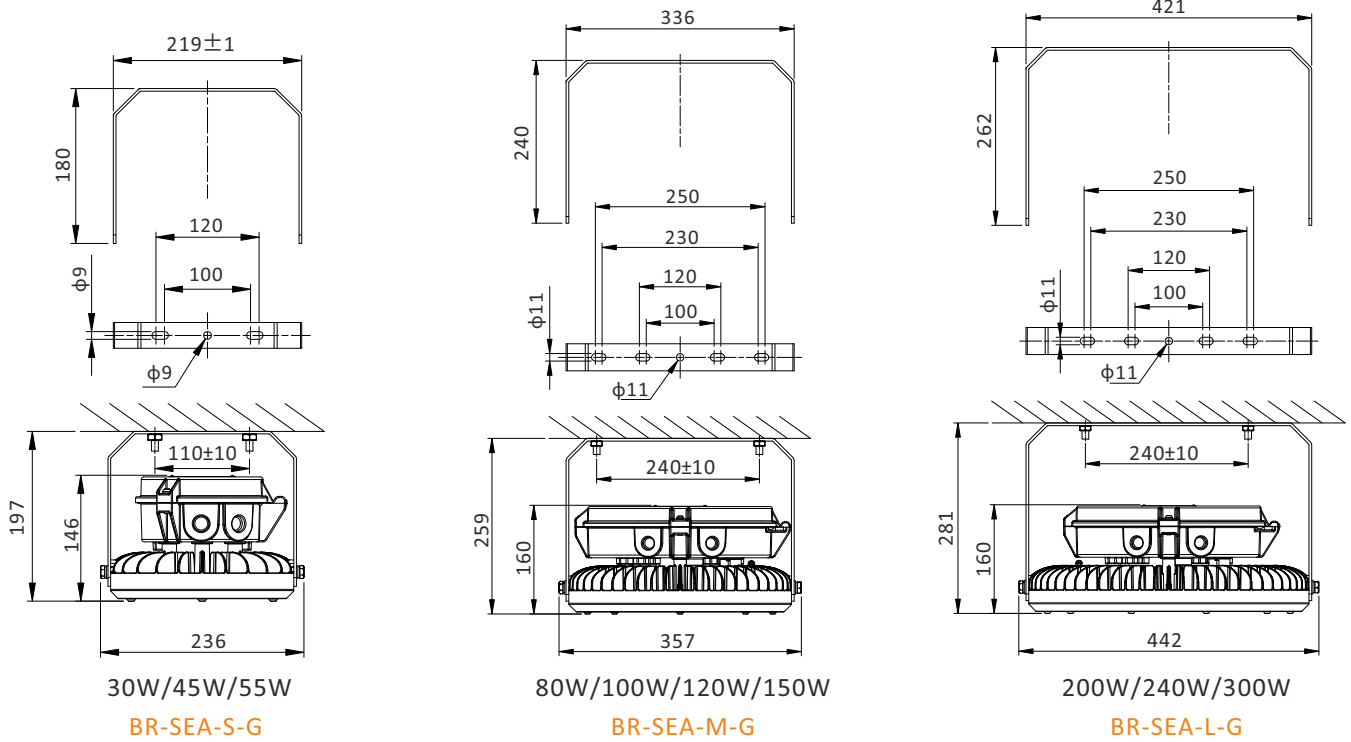
(unit:mm)



Installation Method

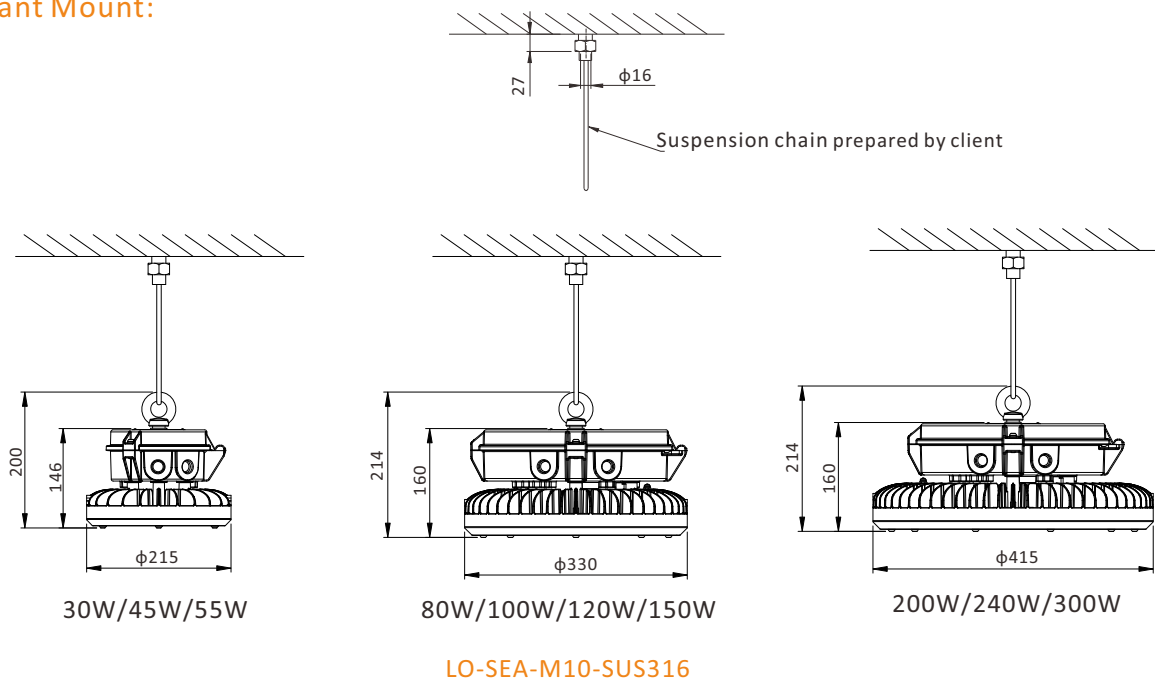
Ceiling Mount:

(unit:mm)



Pendant Mount:

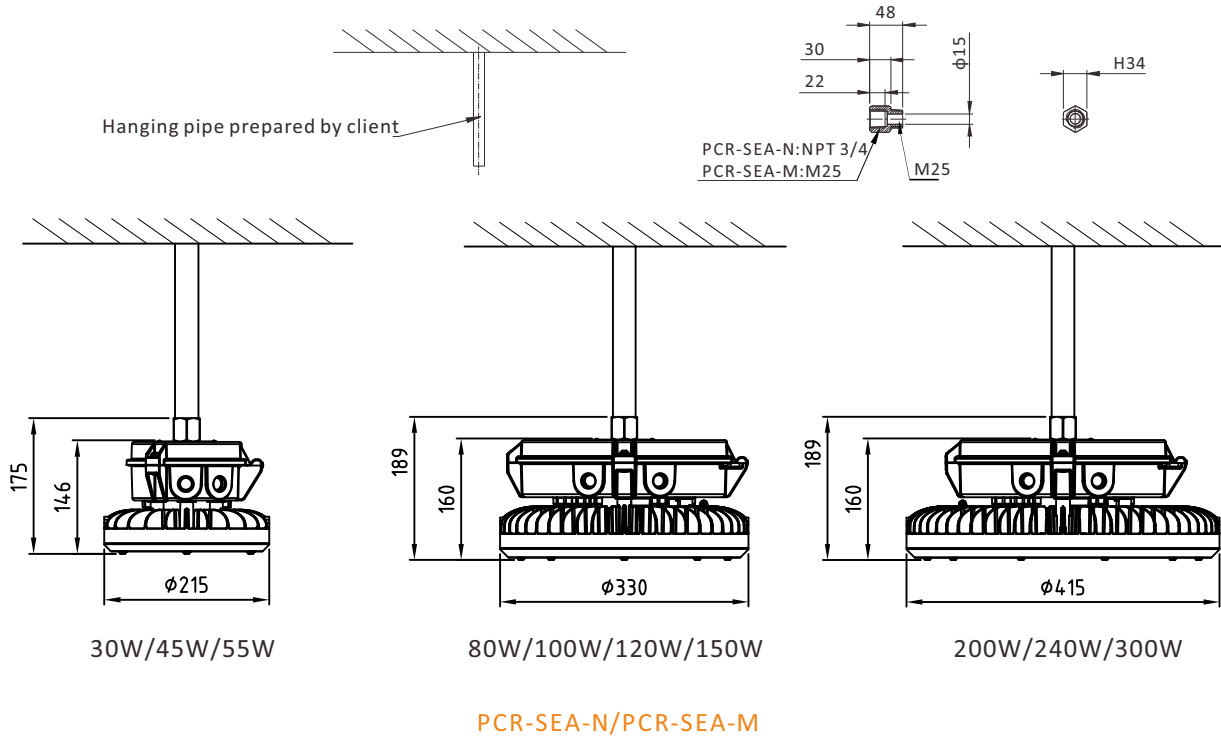
(unit:mm)



Installation Method

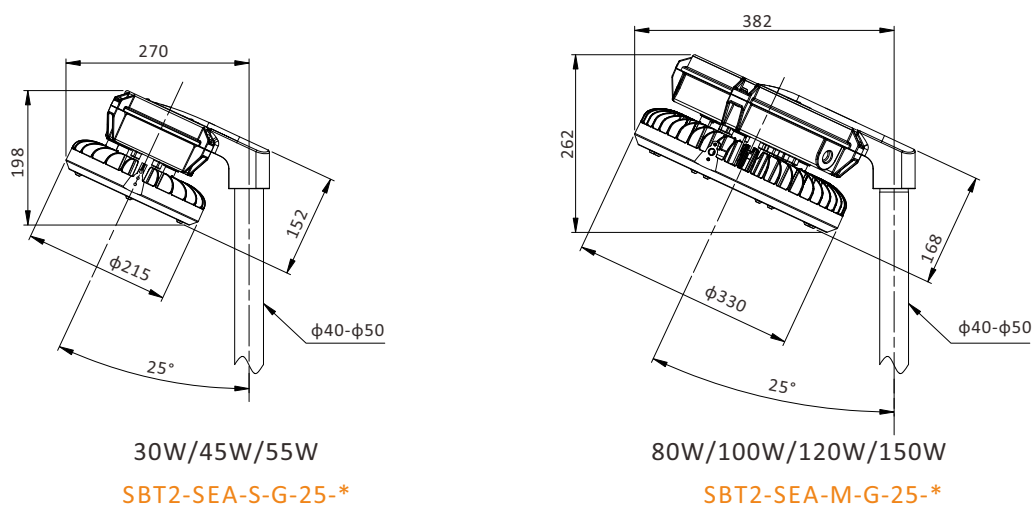
Pipe Mount

(unit:mm)













Pole Mount

(unit:mm)



Note: *for lighting pole thread types: ,G1-1/4 G1-1/2 M42 M48 NPT1-1/4 NPT1-1/2(Optional)

Optional Parts

No.	Installation Accessories	Part No.	Picture	Material	Weight(Kg)	QTY	Remarks
1	Stanchion Bracket	SBT-SEA-L-G		Q235	1.8	1	Stanchion Mount (200W/240W/300W)
2	Stanchion Bracket	SBT-SEA-M-G		Q235	1.5	1	Stanchion Mount (80W/100W/120W/150W)
3	Stanchion Bracket	SBT-SEA-S-G		Q235	1.3	1	Stanchion Mount (30W/45W/55W)
4	Ceiling Bracket	BR-SEA-L-G		Q235	1.8	1	Ceiling Mount Wall Mount (200W/240W/300W)
5	Ceiling Bracket	BR-SEA-M-G		Q235	1.5	1	Ceiling Mount Wall Mount (80W/100W/120W/150W)
6	Ceiling Bracket	BR-SEA-S-G		Q235	1.3	1	Ceiling Mount Wall Mount (30W/45W/55W)
7	Loop	LO-SEA-M10-SUS316		SUS316	0.26	1	Pendant Mount
8	Pipe Connector	PCR-SEA-N PCR-SEA-M		SUS316	0.35	1	Pipe Mount
9	25° Pole Mount Bracket	SBT2-SEA-M-G-25-*		ADC12	1.34	1	Pole Mount (80W/100W/120W/150W)
10	25° Pole Mount Bracket	SBT2-SEA-S-G-25-*		ADC12	1.14	1	Pole Mount (30W/45W/55W)