



LED Explosion Proof Light

ATEX & IECEx Certified LED Floodlight/bay light
High bay light in Hazardous Area.
Seal-A Series

-  II 3 G Ex nR IIC T5/T6 Gc
-  II 3 D Ex tc IIC T80°C/T95°C Dc





Features And Benefits:

- High efficacy LED Source with long lifespan, L70 > 100,000 hours @ 25°C ambient
- 5-year performance warranty
- Low THD around 10%, Less interference
- 4KV/Line-Line 6KV/Line-Earth
- Robust aluminium housing and strong tempered glass
- Vibration and shock resistant
- Low maintenance

Applications:



Oil&Gas Exploration



Drilling



Oil Refinery



Petrochemical Plant



Power Plant



Pharmaceutical Plant



ATEX & IECEX Certified LED Floodlight/bay light/High bay light in Hazardous Area.

LED Floodlight/bay light/High bay light

Standard & Certificate:

Ex Mark:	Gas: II 3 G Ex nR IIC T5/T6 Gc Dust: II 3 D Ex tc IIIC T80°C/T95°C Dc
Certificate:	<ul style="list-style-type: none"> • ATEX Certification NO.: TÜV 25 ATEX 9310 X • IECEX Certification NO.: IECEX TUR 25.0050X • CE • RoHS
Executive Standard:	<ul style="list-style-type: none"> • IEC 60079-0:2017, Edition 7.0, EN IEC 60079-0:2018, • IEC 60079-31:2022, Edition 3.0, EN 60079-31:2014, • IEC 60079-15: 2017, Edition 5.0, EN IEC 60079-15: 2019 • EN 55015, EN 61547, EN 61000-3-2, EN 61000-3-3, • EN 60598-1, EN 60598-2-5, EN 62031, EN 62493, • IEC 62321-1, IEC 62321-3-1, IEC 62321-4, IEC 62321-5, • IEC 62321-6, IEC 62321-7-1, IEC 62321-7-2, IEC 62321-8
Classification:	Group II, Zone 2 & 22

Electrical & Photometric Features:

Luminaire Efficacy:	150lm/W
Lifespan:	>100,000 hours
Operating Voltage:	100~277VAC 141~392VDC(30-240W) , 220~277VAC 311~392VDC(300W) 347~480VAC 491~679VDC(80-300W optional)
Power:	30W/45W/60W/80W/100W/120W/150W/200W/240W/300W
Frequency:	50/60Hz
Power Factor:	>0.98
THD:	<10%
CRI:	>70
Insulation Class:	I
Surge Protection:	4KV/6KV
LED Driver:	Over voltage protection/short circuit protection

Mechanical Features:

Weight:	2.4Kg(30W/45W/60W)/6.3Kg(80W/100W/120W/150W)/9.1Kg(200W/240W/300W)
Size:	ϕ 215*146mm(30W/45W/60W)/ ϕ 330*160mm(80W/100W/120W/150W) ϕ 415*160mm(200W/240W/300W)
Ambient Temperature:	-40°C~+55°C(30-300W)/-40°C~+65°C(30W/45W/60W)
Connecting Terminals:	3*1.0-4mm ² (L+N+PE)
Cable Entries:	2XNPT 3/4" (M20*1.5, M25*1.5 are optional)
Earthing Protection:	M4 (Internal & external earth bolts)
IP Code:	IP66
Enclosure Material:	Die-casting aluminium alloy
Enclosure Colour:	Grey RAL7040
Coating:	Epoxy powder coating
Exposed Fastener:	Stainless steel
Protective Cover:	Tempered glass, Stand 7J impact



ATEX & IECEx Certified LED Floodlight/bay light/High bay light in Hazardous Area.

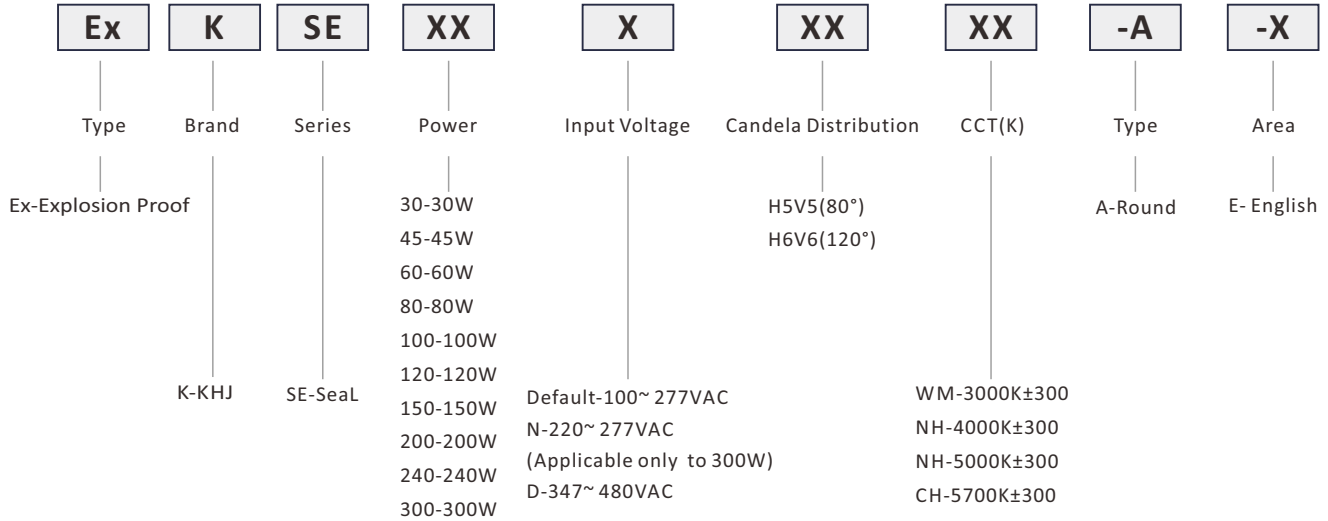
LED Floodlight/bay light/High bay light

Product Differentiation					
P/N	Rated Voltage	Rated Power (W)	Ta (°C)	Gas (Ex nR)	Dust (°C)
Ex-KSE30-A	100~277VAC	30W	-40-65°C	T5	95°C
Ex-KSE30-A		30W	-40-59°C	T6	80°C
Ex-KSE45-A		45W	-40-65°C	T5	95°C
Ex-KSE45-A		45W	-40-59°C	T6	80°C
Ex-KSE60-A		60W	-40-65°C	T5	95°C
Ex-KSE60-A		60W	-40-59°C	T6	80°C
Ex-KSE80-A		80W	-40-55°C	T6	80°C
Ex-KSE100-A		100W	-40-55°C	T6	80°C
Ex-KSE120-A		120W	-40-55°C	T6	80°C
Ex-KSE150-A		150W	-40-55°C	T6	80°C
Ex-KSE200-A		200W	-40-55°C	T5	95°C
Ex-KSE200-A		200W	-40-52°C	T6	80°C
Ex-KSE240-A		240W	-40-55°C	T5	95°C
Ex-KSE240-A		240W	-40-52°C	T6	80°C
Ex-KSE300N-A	220~277VAC	300W	-40-50°C	T5	95°C
Ex-KSE300N-A		300W	-40-39°C	T6	80°C
Ex-KSE80D-A	347~480VAC	80W	-40-55°C	T6	80°C
Ex-KSE100D-A		100W	-40-55°C	T6	80°C
Ex-KSE120D-A		120W	-40-55°C	T5	95°C
Ex-KSE120D-A		120W	-40-48°C	T6	80°C
Ex-KSE150D-A		150W	-40-55°C	T5	95°C
Ex-KSE150D-A		150W	-40-48°C	T6	80°C
Ex-KSE200D-A		200W	-40-55°C	T5	95°C
Ex-KSE200D-A		200W	-40-49°C	T6	80°C
Ex-KSE240D-A		240W	-40-55°C	T5	95°C
Ex-KSE240D-A		240W	-40-49°C	T6	80°C
Ex-KSE300D-A		300W	-40-49°C	T5	95°C
Ex-KSE300D-A		300W	-40-37°C	T6	80°C



ATEX & IECEx Certified LED Floodlight/bay light/High bay light in Hazardous Area.

Production Definition



Ordering Information

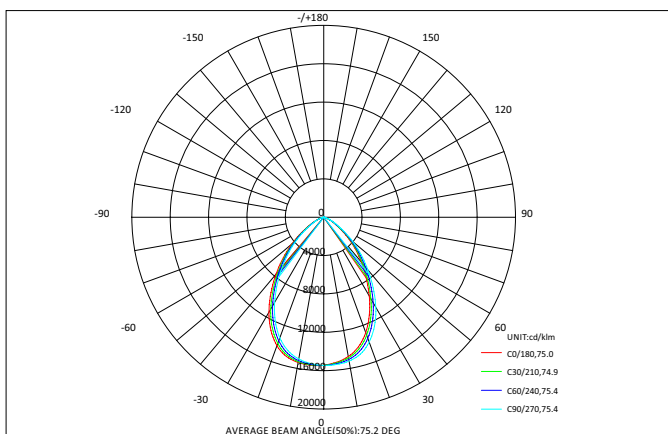
P/N	Operating Voltage(V)	Luminous Flux(lm)	Power(W)	Color Temp.	CCT(K)
Ex-KSE30*WM-A-E	100~277 AC (141~392 DC)	4185	30	Warm white	3000±300
Ex-KSE30*NH-A-E		4500	30	Natural white	4000±300
Ex-KSE30*NH-A-E		4500	30	Natural white	5000±300
Ex-KSE30*CH-A-E		4500	30	Cool white	5700±300
Ex-KSE45*WM-A-E		6278	45	Warm white	3000±300
Ex-KSE45*NH-A-E		6750	45	Natural white	4000±300
Ex-KSE45*NH-A-E		6750	45	Natural white	5000±300
Ex-KSE45*CH-A-E		6750	45	Cool white	5700±300
Ex-KSE60*WM-A-E		7673	60	Warm white	3000±300
Ex-KSE60*NH-A-E		8250	60	Natural white	4000±300
Ex-KSE60*NH-A-E		8250	60	Natural white	5000±300
Ex-KSE60*CH-A-E		8250	60	Cool white	5700±300
Ex-KSE80*WM-A-E		11160	80	Warm white	3000±300
Ex-KSE80*NH-A-E		12000	80	Natural white	4000±300
Ex-KSE80*NH-A-E		12000	80	Natural white	5000±300
Ex-KSE80*CH-A-E		12000	80	Cool white	5700±300
Ex-KSE100*WM-A-E		13950	100	Warm white	3000±300
Ex-KSE100*NH-A-E		15000	100	Natural white	4000±300
Ex-KSE100*NH-A-E		15000	100	Natural white	5000±300
Ex-KSE100*CH-A-E		15000	100	Cool white	5700±300

Ordering Information

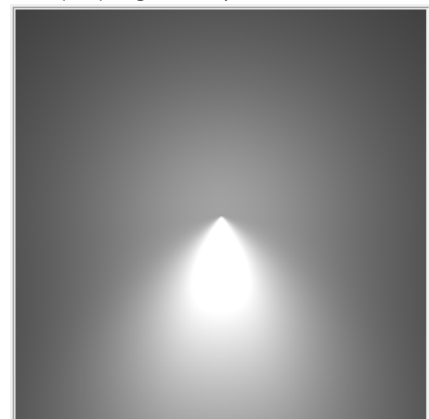
P/N	Operating Voltage(V)	Luminous Flux(lm)	Power(W)	Color Temp.	CCT(K)
Ex-KSE120*WM-A-E	100~277 AC (141~392 DC)	16740	120	Warm white	3000±300
Ex-KSE120*NH-A-E		18000	120	Natural white	4000±300
Ex-KSE120*NH-A-E		18000	120	Natural white	5000±300
Ex-KSE120*CH-A-E		18000	120	Cool white	5700±300
Ex-KSE150*WM-A-E		20925	150	Warm white	3000±300
Ex-KSE150*NH-A-E		22500	150	Natural white	4000±300
Ex-KSE150*NH-A-E		22500	150	Natural white	5000±300
Ex-KSE150*CH-A-E		22500	150	Cool white	5700±300
Ex-KSE200*WM-A-E		27900	200	Warm white	3000±300
Ex-KSE200*NH-A-E		30000	200	Natural white	4000±300
Ex-KSE200*NH-A-E		30000	200	Natural white	5000±300
Ex-KSE200*CH-A-E		30000	200	Cool white	5700±300
Ex-KSE240*WM-A-E		33480	240	Warm white	3000±300
Ex-KSE240*NH-A-E		36000	240	Natural white	4000±300
Ex-KSE240*NH-A-E		36000	240	Natural white	5000±300
Ex-KSE240*CH-A-E		36000	240	Cool white	5700±300
Ex-KSE300N*WM-A-E	220~277 AC (311~392 DC)	41850	300	Warm white	3000±300
Ex-KSE300N*NH-A-E		45000	300	Natural white	4000±300
Ex-KSE300N*NH-A-E		45000	300	Natural white	5000±300
Ex-KSE300N*CH-A-E		45000	300	Cool white	5700±300

Remarks: 1. *Stands for beam angle, including H5V5 / H6V6, H5V5 is only available for 80-300W.
2. For beam angle H5V5, the luminous flux will be 8% less;

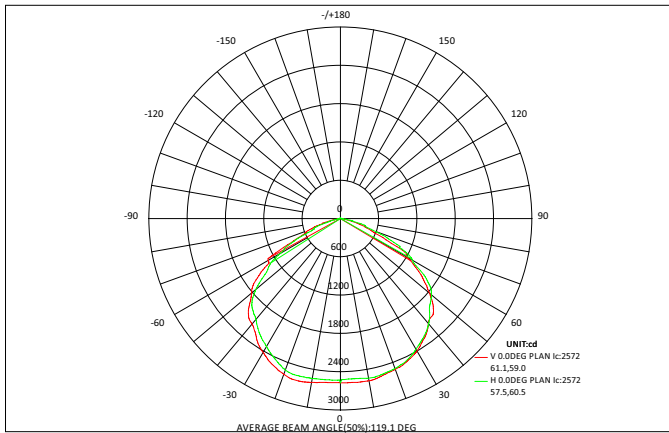
Candela Distribution



H5V5(80°)/High Efficacy LED Source



Candela Distribution



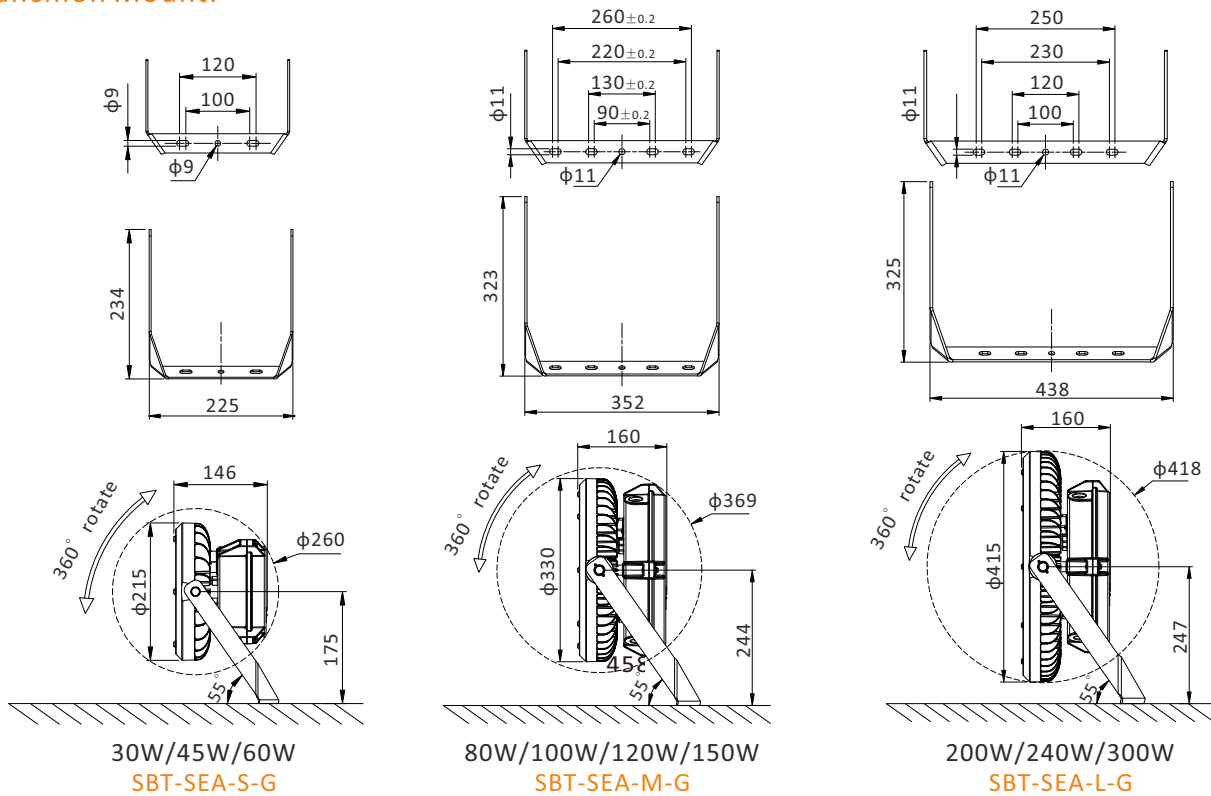
H6V6(120°)/High Efficacy LED Source



Installation Method

Stanchion Mount:

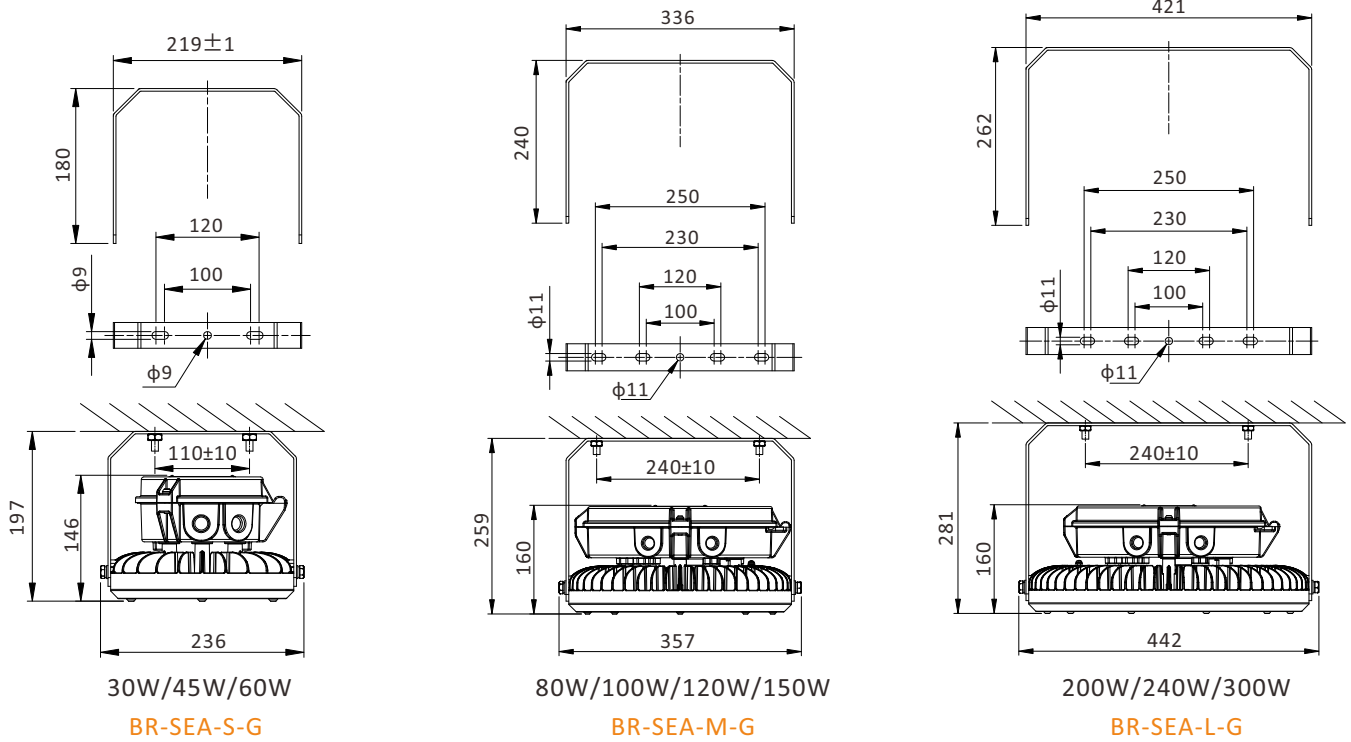
(unit:mm)



Installation Method

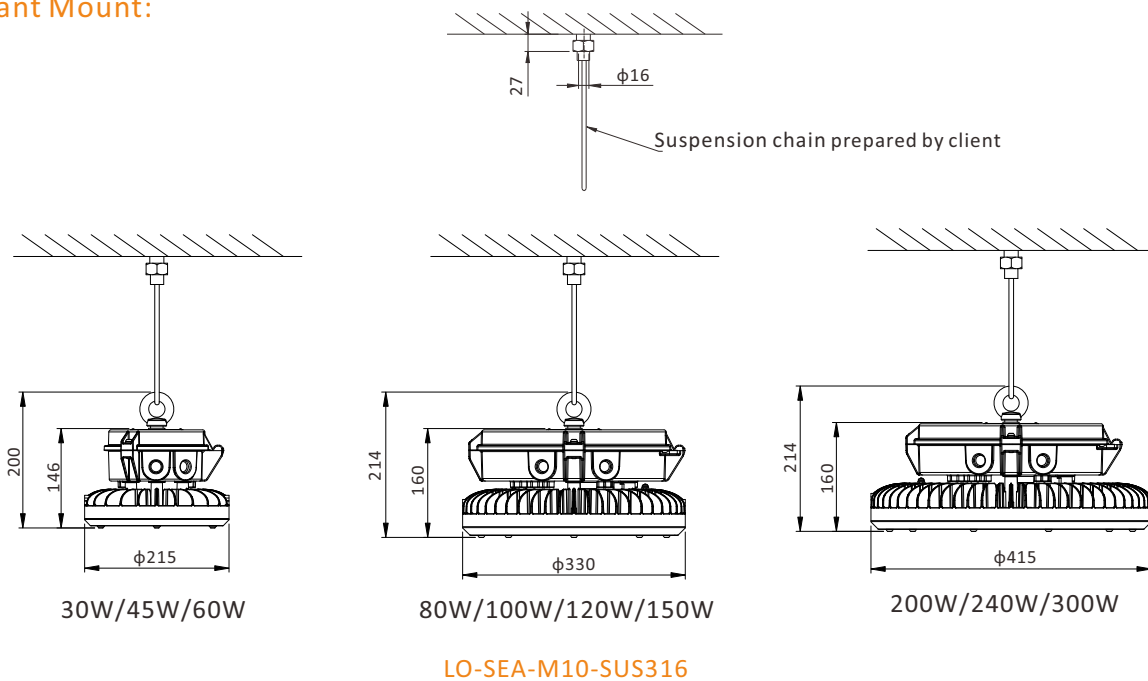
Ceiling Mount:

(unit:mm)



Pendant Mount:

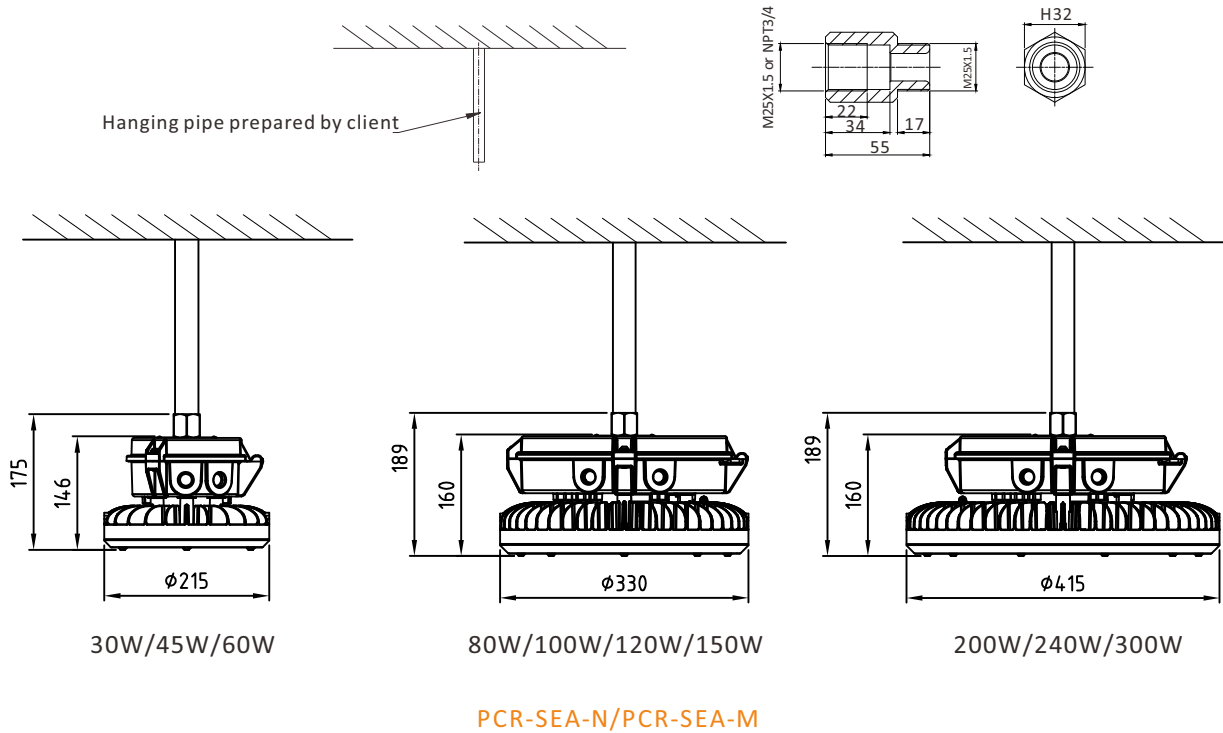
(unit:mm)



Installation Method

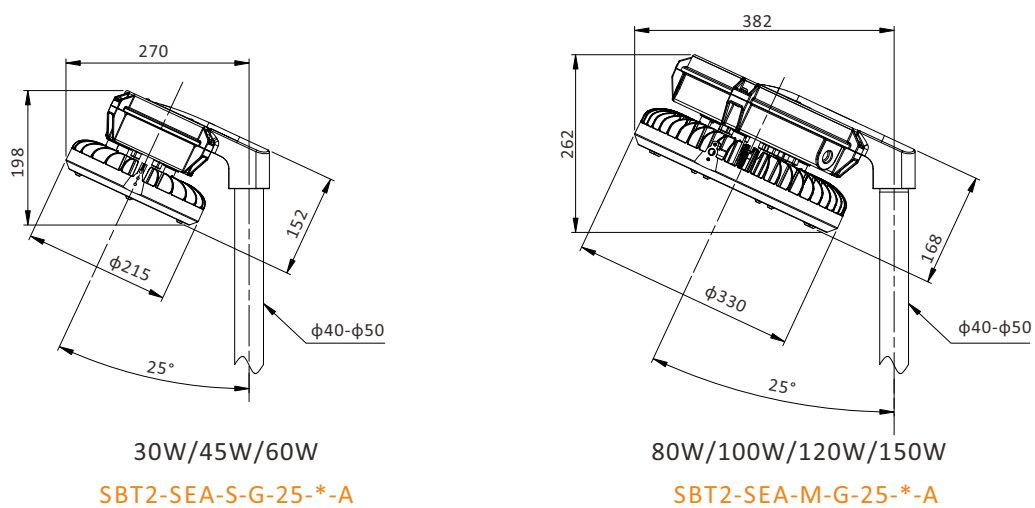
Pipe Mount

(unit:mm)



Pole Mount

(unit:mm)

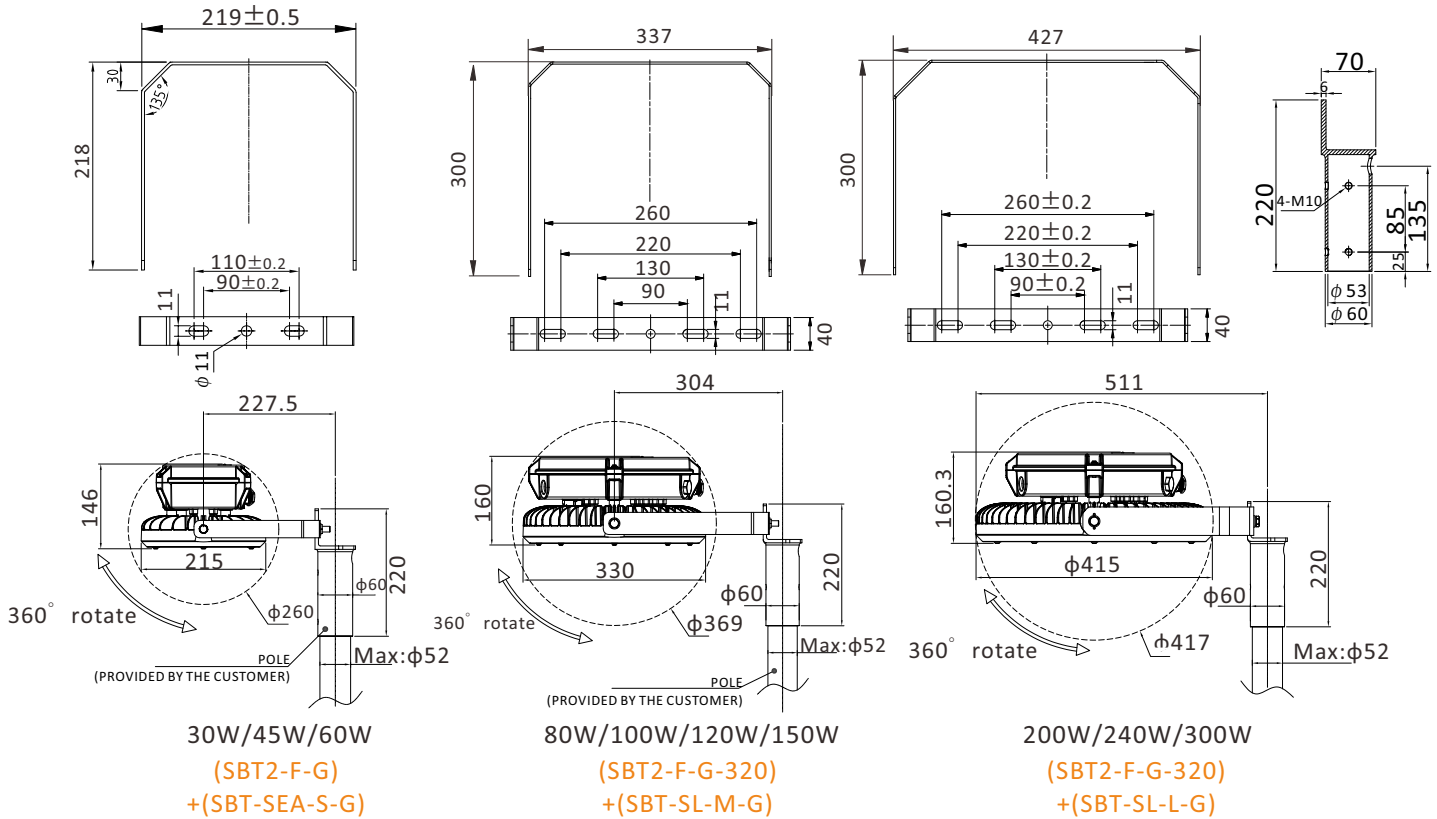


Note: *for lighting pole thread types: ,G1-1/4、G1-1/2、M42、M48、NPT1-1/4、NPT1-1/2(Optional)

Installation Method

(unit:mm)

Pole Mount:



Optional Parts

No.	Installation Accessories	Part No.	Picture	Material	Weight(Kg)	QTY	Remarks
1	Stanchion Bracket	SBT-SEA-L-G		Q235	1.8	1	Stanchion Mount (200W/240W/300W)
2	Stanchion Bracket	SBT-SEA-M-G		Q235	1.5	1	Stanchion Mount (80W/100W/120W/150W)
3	Stanchion Bracket	SBT-SEA-S-G		Q235	1.3	1	Stanchion Mount (30W/45W/60W)
4	Ceiling Bracket	BR-SEA-L-G		Q235	1.8	1	Ceiling Mount Wall Mount (200W/240W/300W)

Optional Parts

No.	Installation Accessories	Part No.	Picture	Material	Weight(Kg)	QTY	Remarks
5	Ceiling Bracket	BR-SEA-M-G		Q235	1.5	1	Ceiling Mount Wall Mount (80W/100W/120W/150W)
6	Ceiling Bracket	BR-SEA-S-G		Q235	1.3	1	Ceiling Mount Wall Mount (30W/45W/60W)
7	Loop	LO-SEA-M10-SUS316		SUS316	0.26	1	Pendant Mount
8	Pipe Connector	PCR-SEA-N PCR-SEA-M		SUS316	0.28	1	Pipe Mount
9	25° Pole Mount Bracket	SBT2-SEA-M-G-25-* -A		ADC12	1.34	1	Pole Mount (80W/100W/120W/150W)
10	25° Pole Mount Bracket	SBT2-SEA-S-G-25-* -A		ADC12	1.14	1	Pole Mount (30W/45W/60W)
11	Pole Mount Bracket	(SBT2-F-G) +(SBT-SEA-S-G)		Q235	3.40	1	Pole Mount (30W/45W/60W)
12	Pole Mount Bracket	(SBT2-F-G-320) +(SBT-SL-M-G)		Q235	3.76	1	Pole Mount (80W/100W/120W/150W)
13	Pole Mount Bracket	(SBT2-F-G-320) +(SBT-SL-L-G)		Q235	4.06	1	Pole Mount (200W/240W/300W)