



LED Industrial Light

CE & RoHS Certified LED Floodlight/bay light
High bay light in Industrial Area.
SeaL-B Series

CE RoHS

www.khjled.com



Features And Benefits:

- High efficacy LED Source with long lifespan, L70 > 100,000 hours @ 25°C ambient
- 5-year performance warranty
- Low THD around 10%, Less interference
- 4KV/Line-Line 6KV/Line-Earth
- Robust aluminium housing and strong tempered glass
- Vibration and shock resistant
- Low maintenance

Applications:



Cement plants



Warehouse



Factory



Power Generation



Power Transmission



Shipping industry

CE RoHS

CE & RoHS Certified LED Floodlight/bay light/High bay light in Industrial Area.

LED Floodlight/bay light/High bay light

Standard & Certificate:

Certificate:	• CE	• RoHS
Executive Standard:	• EN 55015, EN 61547, EN 61000-3-2, EN 61000-3-3, • EN 60598-1, EN 60598-2-5, EN 62031, EN 62493, • IEC 62321-1, IEC 62321-3-1, IEC 62321-4, IEC 62321-5, • IEC 62321-6, IEC 62321-7-1, IEC 62321-7-2, IEC 62321-8	

Electrical & Photometric Features:

Luminaire Efficacy:	150lm/W
Lifespan:	>100,000 hours
Operating Voltage:	100~277VAC 141~392VDC
Power:	80W/100W/120W/150W/200W/240W/300W
Frequency:	50/60Hz
Power Factor:	>0.98
THD:	<10%
Insulation Class:	I
Surge Protection:	4KV/6KV
LED Driver:	Over voltage protection/short circuit protection

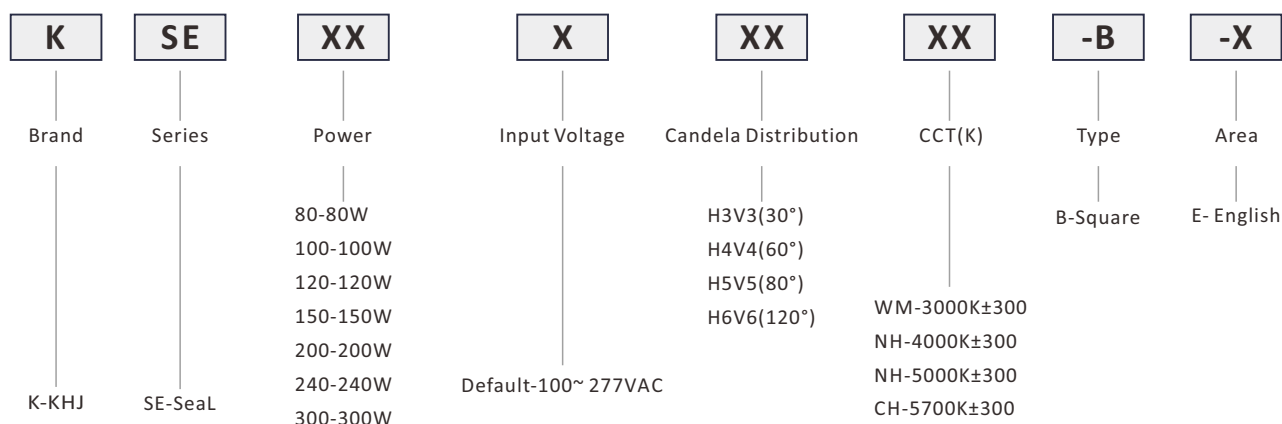
Mechanical Features:

Weight:	5.9Kg(80W/100W/120W/150W)/8.4Kg(200W/240W/300W)
Size:	332*282*72mm(80W/100W/120W/150W) 332*435*72mm(200W/240W/300W)
Ambient Temperature:	-40°C~+55°C
Connecting Terminals:	3*1.0mm ² (L+N+PE)
Earthing Protection:	M4 (Internal & external earth bolts)
IP Code:	IP66
Enclosure Material:	Die-casting aluminium alloy
Enclosure Colour:	Grey RAL7040
Coating:	Epoxy powder coating
Exposed Fastener:	Stainless steel
Protective Cover:	Tempered glass, Stand 7J impact

CE RoHS

CE & RoHS Certified LED Floodlight/bay light/High bay light in Industrial Area.

Production Definition



Ordering Information

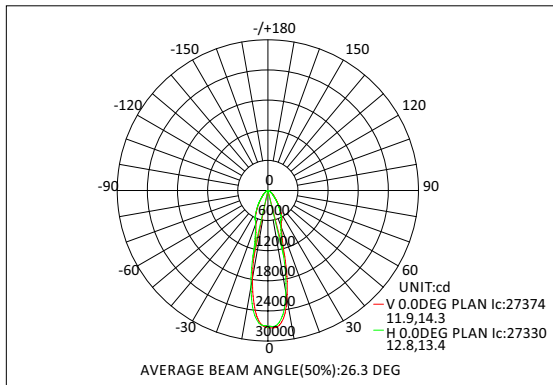
P/N	Operating Voltage(V)	Luminous Flux(lm)	Power(W)	Color Temp.	CCT(K)
KSE80*WM-B-E	100~277 AC (141~392 DC)	11160	80	Warm white	3000±300
KSE80*NH-B-E		12000	80	Natural white	4000±300
KSE80*NH-B-E		12000	80	Natural white	5000±300
KSE80*CH-B-E		12000	80	Cool white	5700±300
KSE100*WM-B-E		13950	100	Warm white	3000±300
KSE100*NH-B-E		15000	100	Natural white	4000±300
KSE100*NH-B-E		15000	100	Natural white	5000±300
KSE100*CH-B-E		15000	100	Cool white	5700±300
KSE120*WM-B-E		16740	120	Warm white	3000±300
KSE120*NH-B-E		18000	120	Natural white	4000±300
KSE120*NH-B-E		18000	120	Natural white	5000±300
KSE120*CH-B-E		18000	120	Cool white	5700±300
KSE150*WM-B-E		20925	150	Warm white	3000±300
KSE150*NH-B-E		22500	150	Natural white	4000±300
KSE150*NH-B-E		22500	150	Natural white	5000±300
KSE150*CH-B-E		22500	150	Cool white	5700±300
KSE200*WM-B-E		27900	200	Warm white	3000±300
KSE200*NH-B-E		30000	200	Natural white	4000±300
KSE200*NH-B-E		30000	200	Natural white	5000±300
KSE200*CH-B-E		30000	200	Cool white	5700±300
KSE240*WM-B-E		33480	240	Warm white	3000±300
KSE240*NH-B-E		36000	240	Natural white	4000±300
KSE240*NH-B-E		36000	240	Natural white	5000±300
KSE240*CH-B-E		36000	240	Cool white	5700±300
KSE300*WM-B-E		41850	300	Warm white	3000±300
KSE300*NH-B-E		45000	300	Natural white	4000±300
KSE300*NH-B-E		45000	300	Natural white	5000±300
KSE300*CH-B-E		45000	300	Cool white	5700±300

Remarks: 1.*Stands for beam angle , including H3V3 / H4V4 / H5V5 / H6V6.
2.For beam angle H3V3and H4V4,the luminous flux will be 8% less;

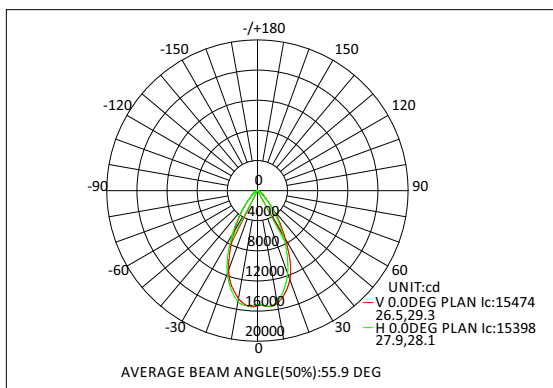
CE RoHS

CE & RoHS Certified LED Floodlight/bay light/High bay light in Industrial Area.

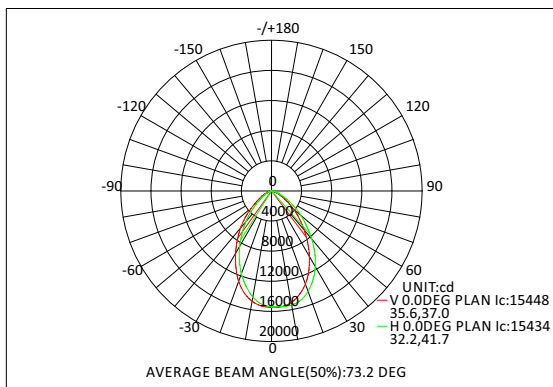
Candela Distribution



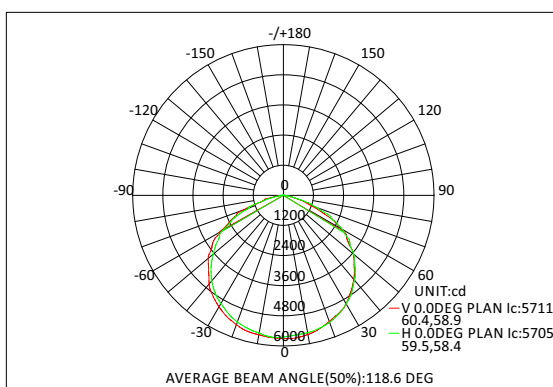
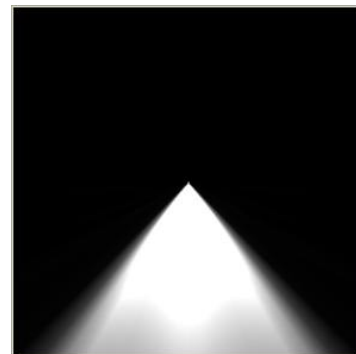
H3V3(30°)/High efficacy LED Source



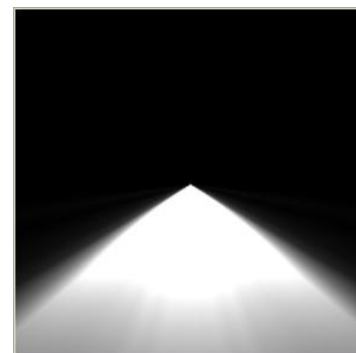
H4V4(60°)/High efficacy LED Source



H5V5(80°)/High efficacy LED Source



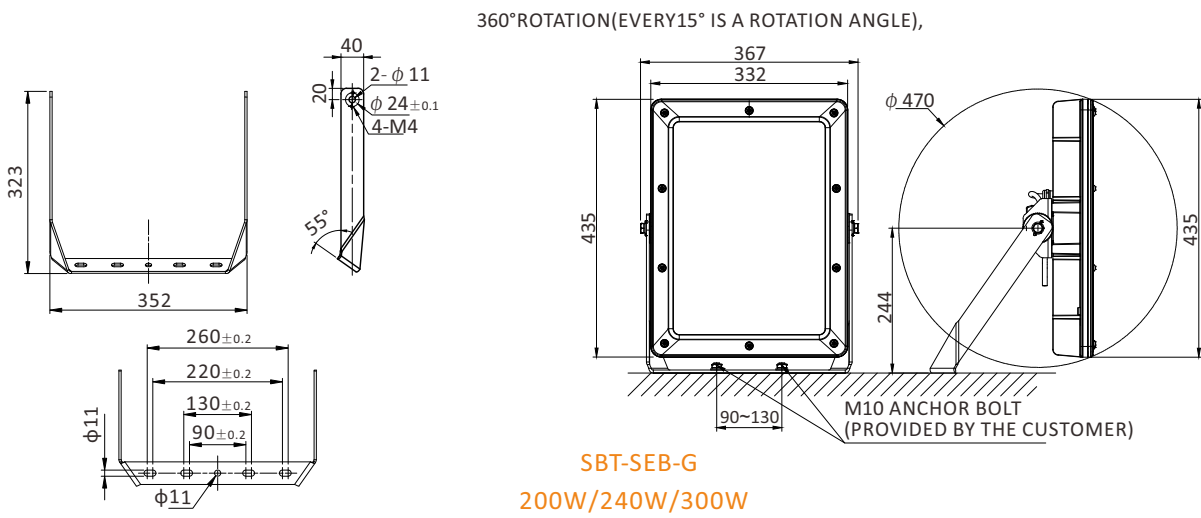
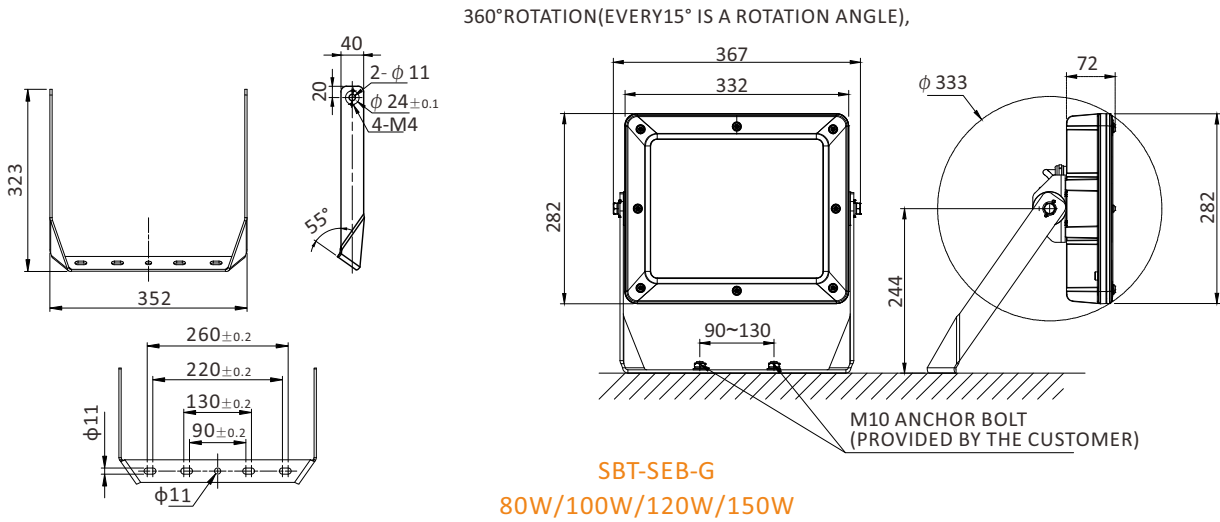
H6V6(120°)/High efficacy LED Source



Installation Method

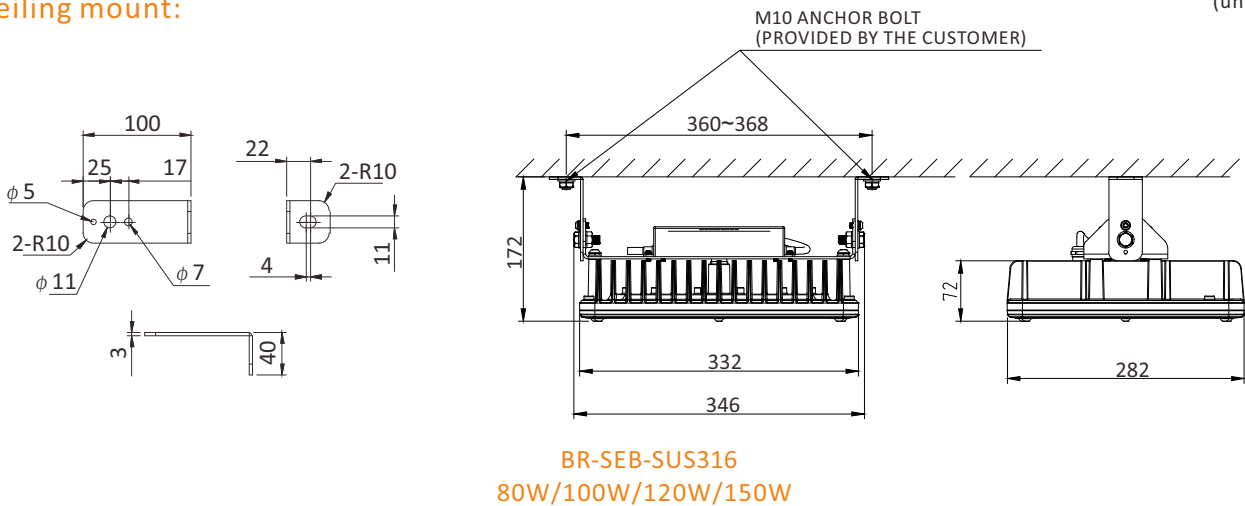
Stanchion mount / Wall mount

(unit:mm)



Ceiling mount:

(unit:mm)



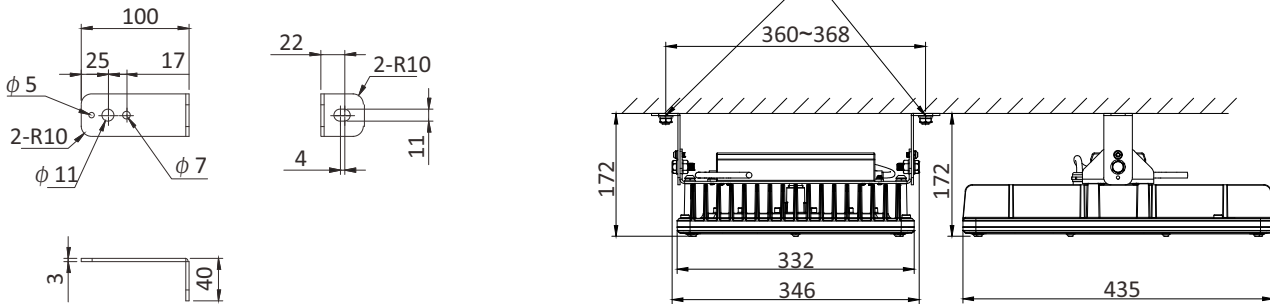
CE RoHS

CE & RoHS Certified LED Floodlight/bay light/High bay light in Industrial Area.

Installation Method

Ceiling mount:

(unit:mm)

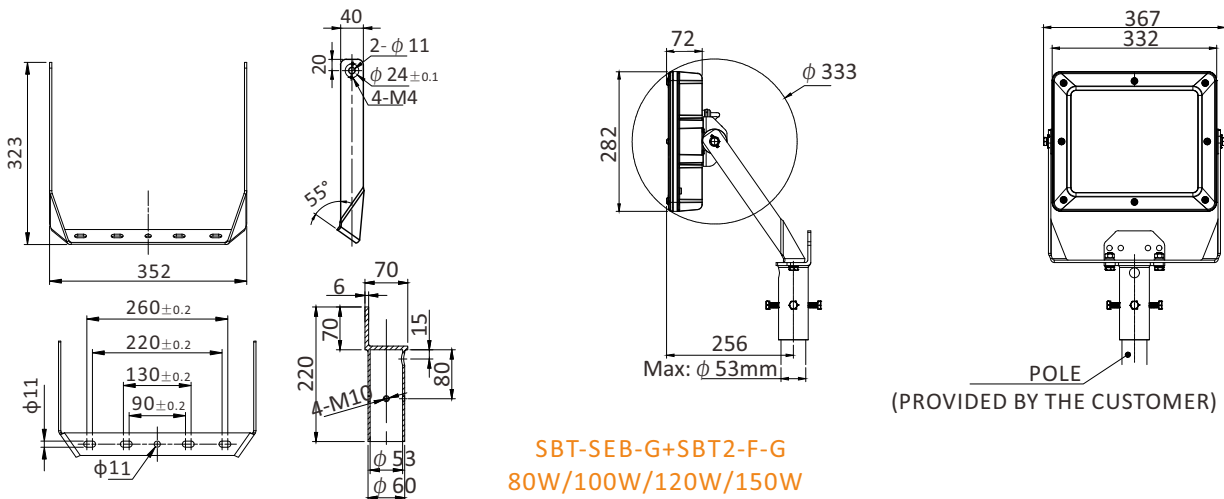


BR-SEB-SUS316
200W/240W/300W

Pole Mount:

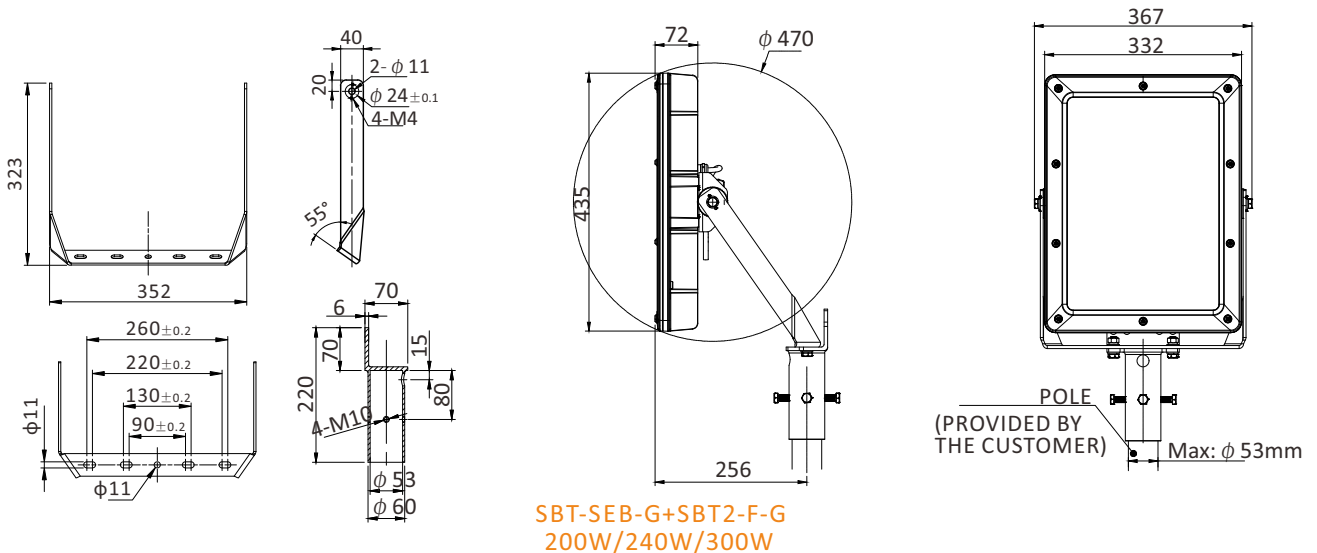
(unit:mm)

360°ROTATION(EVERY15° IS A ROTATION ANGLE),



SBT-SEB-G+SBT2-F-G
80W/100W/120W/150W

360°ROTATION(EVERY15° IS A ROTATION ANGLE),



SBT-SEB-G+SBT2-F-G
200W/240W/300W

CE RoHS

CE & RoHS Certified LED Floodlight/bay light/High bay light in Industrial Area.

Optional Parts

No.	Installation Accessories	Part No.	Picture	Material	Weight(Kg)	QTY	Remarks
1	Ceiling Bracket	BR-SEB-SUS316		SUS316	0.9	1	Ceiling Mount
2	Stanchion Bracket	SBT-SEB-G		Q235	1.5	1	Stanchion Mount
3	Pole Mount Bracket	(SBT2-F-G) +(SBT-SEB-G)		Q235	3.0	1	Pole Mount
4	Safety Chain	SSR-GF-SUS304		SUS304	0.06	1	0.8m