



## LED Explosion Proof Light

**ATEX & IECEX Certified LED Linear light in Hazardous Area.  
Swordfish Series**

- ⚠ II 2 G Ex d eb op is IIC T6 Gb
- ⚠ II 2 D Ex tb op is IIC T80°C Db





## Features And Benefits:

- High efficacy LED Source with long lifespan, L70 > 100,000 hours @ 25°C ambient
- 5-year performance warranty
- Low THD around 10%, Less interference
- 4KV/Line-Line 6KV/Line-Earth
- Robust aluminium housing and strong tempered glass
- Vibration and shock resistant
- Low maintenance

## Applications:



Oil&Gas Exploration



Drilling



Oil Refinery



Petrochemical Plant



Power Plant



Pharmaceutical Plant



ATEX & IECEX Certified LED Linear light in Hazardous Area.

# LED Linear light

## Standard & Certificate:

Ex Mark:	Gas: Ⓜ II 2 G Ex d eb op is IIC T6 Gb Dust: Ⓜ II 2 D Ex tb op is IIC T80°C Db
Certificate:	<ul style="list-style-type: none"> <li>• ATEX Certification NO.: TÜV 15 ATEX 7673 X</li> <li>• IECEx Certification NO.: IECEx TUR 16.0028X</li> <li>• CE</li> <li>• ABS</li> <li>• RoHS</li> </ul>
Executive Standard:	<ul style="list-style-type: none"> <li>• EN 55015:2013+A1:2015</li> <li>• EN 61547:2009</li> <li>• EN 61000-3-2:2014</li> <li>• EN 61000-3-3:2013</li> <li>• EN 60598-1:2015</li> <li>• EN 60598-2-5:2015</li> <li>• IEC 62321-4:2013</li> <li>• IEC 62321-5:2013</li> <li>• IEC 62321-6:2015</li> <li>• IEC 62321-7-1:2015</li> <li>• IEC 62321-7-2:2017</li> <li>• IEC 62321-8:2017</li> <li>• EN 60079-0:2012/A11:2013</li> <li>• EN 60079-7:2015</li> <li>• EN 60079-1:2014</li> <li>• EN 60079-31:2014</li> <li>• EN 60079-28:2015</li> </ul>
Classification:	<ul style="list-style-type: none"> <li>• Group II Zone 1 &amp; 21 and 2 &amp; 22</li> </ul>

## Electrical & Photometric Features:

Luminaire Efficacy:	136.5lm/W
Lifespan:	>100,000 hours
Operating Voltage:	100-277 VAC/24-48 VAC 10-30 VDC/24-48 VDC/141-392 VDC
Power(W):	18/36/48/56/72
Frequency:	50/60Hz
Power Factor:	>0.98
THD:	<10%
Insulation Class:	I
Surge Protection:	4KV/6KV
LED Driver:	Over voltage protection/short circuit protection

## Mechanical Features:

Weight:	6.9Kg(0.6m)/11.5Kg(1.2m)
Size:	600*136*124mm(18W/36W/48W)/1200*136*124mm(36W/48W/56W/72W)
Ambient Temperature:	-20°C--+55°C
Connecting Terminals:	3*1.0-4mm <sup>2</sup> (L+N+PE)
Available cable outer diameter:	φ7-φ14(mm)
Cable Entries:	2XNPT 3/4" (M20*1.5, M25*1.5 are optional)
Earthing Protection:	M4 (Internal & external earth bolts)
IP Code:	IP66
Enclosure Material:	Copper-free Aluminium
Enclosure Colour:	Grey RAL7040
Coating:	Epoxy powder coating
Exposed Fastener:	Stainless steel
Protective Cover:	Tempered glass, Stand 7J impact



ATEX & IECEX Certified LED Linear light in Hazardous Area.

## Production Definition

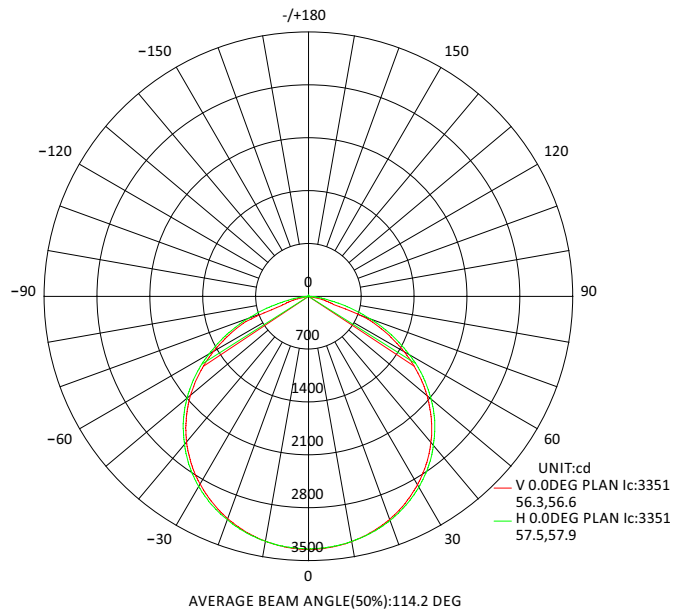
<b>Ex</b>	<b>SF</b>	<b>K</b>	<b>XX</b>	<b>XX</b>	<b>XX</b>	<b>XX</b>	<b>XX</b>	<b>-U</b>	<b>-IIC</b>	<b>-E</b>	<b>-X</b>
Type	Brand	Series	Power	Input Voltage	Length	Candela Distribution	CCT(K)	Type	Type	Area	Color
Ex-Explosion Proof	K-KHJ	SF-Swordfish series	18-18W 36-36W 48-48W 56-56W 72-72W	Default-100-277VAC A-24-48VAC/DC B-10-30VDC	600-600mm 1200-1200mm	H7V7(120°)	WM-3000±300K NH-4000±300K NH-5000±300K CH-5700±300K	U- Update	IIC- IIC Certificate	E- English	G-Grey

## Ordering Information

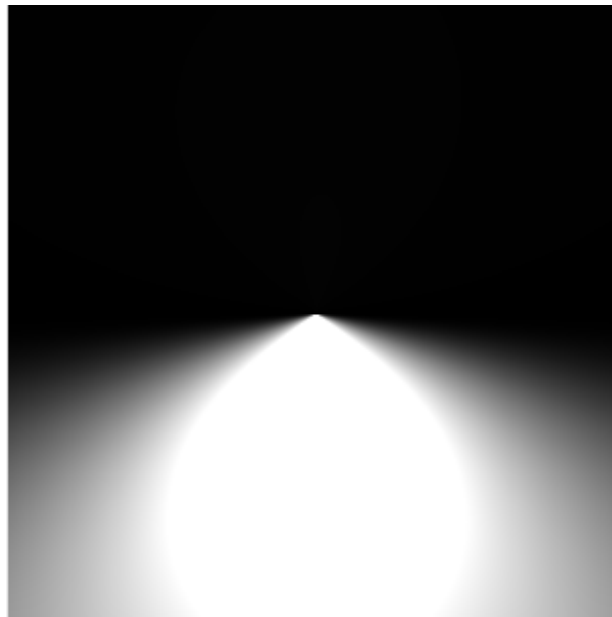
P/N	Operating Voltage(V)	Luminous Flux(lm)	Power(W)	CRI	Color Temp.	CCT(K)	Temp. Classification
Ex-KSF18*600H7V7WM-U-IIC-E-G	100-277 AC (141-392 DC)	2268	18	82	Warm white	3000±300	T6
Ex-KSF18*600H7V7NH-U-IIC-E-G		2457	18	70	Natural white	4000±300	
Ex-KSF18*600H7V7NH-U-IIC-E-G		2457	18	70	Natural white	5000±300	
Ex-KSF18*600H7V7CH-U-IIC-E-G		2457	18	70	Cool white	5700±300	
Ex-KSF36*600H7V7WM-U-IIC-E-G		4536	36	82	Warm white	3000±300	
Ex-KSF36*600H7V7NH-U-IIC-E-G		4914	36	70	Natural white	4000±300	
Ex-KSF36*600H7V7NH-U-IIC-E-G		4914	36	70	Natural white	5000±300	
Ex-KSF36*600H7V7CH-U-IIC-E-G		4914	36	70	Cool white	5700±300	
Ex-KSF48*600H7V7WM-U-IIC-E-G		6048	48	82	Warm white	3000±300	
Ex-KSF48*600H7V7NH-U-IIC-E-G		6552	48	70	Natural white	4000±300	
Ex-KSF48*600H7V7NH-U-IIC-E-G		6552	48	70	Natural white	5000±300	
Ex-KSF48*600H7V7CH-U-IIC-E-G		6552	48	70	Cool white	5700±300	
Ex-KSF36*1200H7V7WM-U-IIC-E-G		4536	36	82	Warm white	3000±300	
Ex-KSF36*1200H7V7NH-U-IIC-E-G		4914	36	70	Natural white	4000±300	
Ex-KSF36*1200H7V7NH-U-IIC-E-G		4914	36	70	Natural white	5000±300	
Ex-KSF36*1200H7V7CH-U-IIC-E-G		4914	36	70	Cool white	5700±300	
Ex-KSF48*1200H7V7WM-U-IIC-E-G		6048	48	82	Warm white	3000±300	
Ex-KSF48*1200H7V7NH-U-IIC-E-G		6552	48	70	Natural white	4000±300	
Ex-KSF48*1200H7V7NH-U-IIC-E-G		6552	48	70	Natural white	5000±300	
Ex-KSF48*1200H7V7CH-U-IIC-E-G		6552	48	70	Cool white	5700±300	
Ex-KSF56*1200H7V7WM-U-IIC-E-G		7056	56	82	Warm white	3000±300	
Ex-KSF56*1200H7V7NH-U-IIC-E-G		7644	56	70	Natural white	4000±300	
Ex-KSF56*1200H7V7NH-U-IIC-E-G		7644	56	70	Natural white	5000±300	
Ex-KSF56*1200H7V7CH-U-IIC-E-G		7644	56	70	Cool white	5700±300	
Ex-KSF72*1200H7V7WM-U-IIC-E-G		9072	72	82	Warm white	3000±300	
Ex-KSF72*1200H7V7NH-U-IIC-E-G		9828	72	70	Natural white	4000±300	
Ex-KSF72*1200H7V7NH-U-IIC-E-G		9828	72	70	Natural white	5000±300	
Ex-KSF72*1200H7V7CH-U-IIC-E-G		9828	72	70	Cool white	5700±300	

Remarks: 1.\*Stands for Operating Voltage, including Default -AC-100~277V,A-AC/DC 24~48V,B-DC 10~30V.  
2.10-30VDC & 24-48V AC/DC are not suitable for 72W.

## Candela Distribution

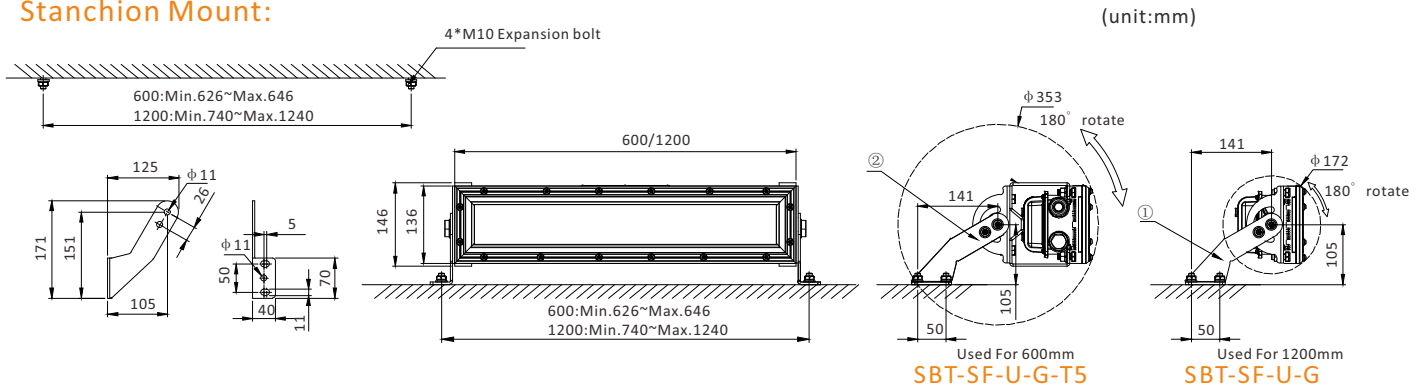


H7V7(120°)/High Efficacy LED Source

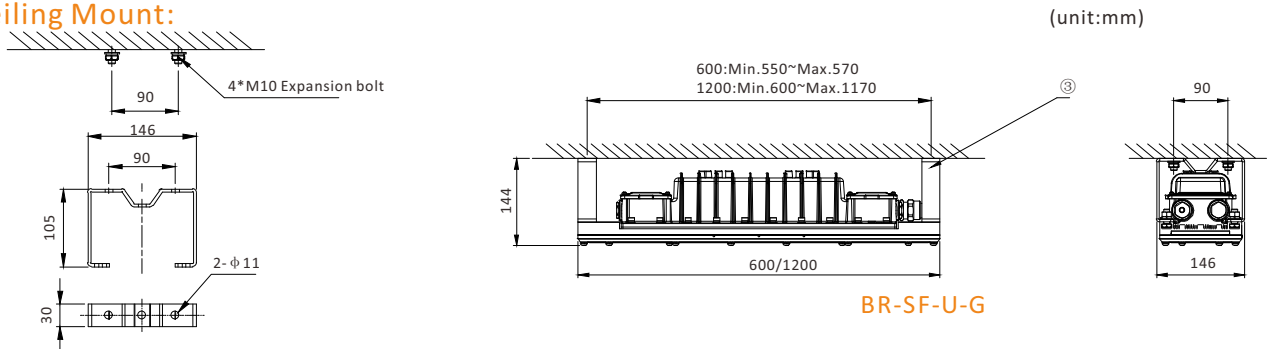


## Installation Method

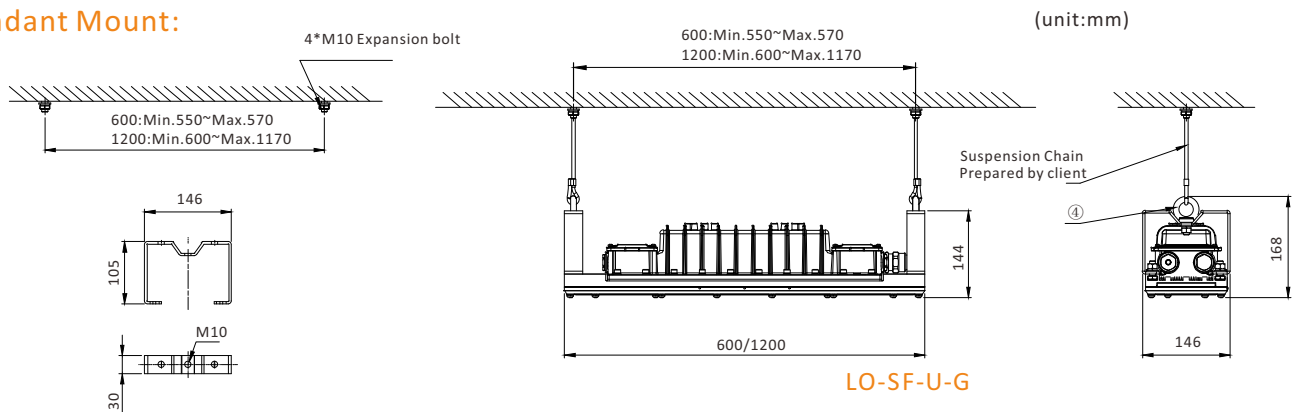
### Stanchion Mount:



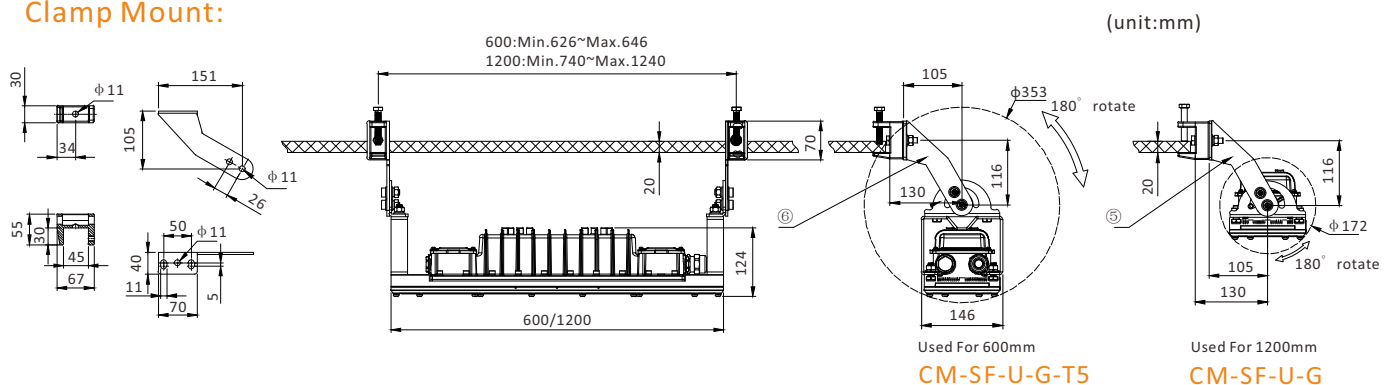
### Ceiling Mount:



### Pendant Mount:

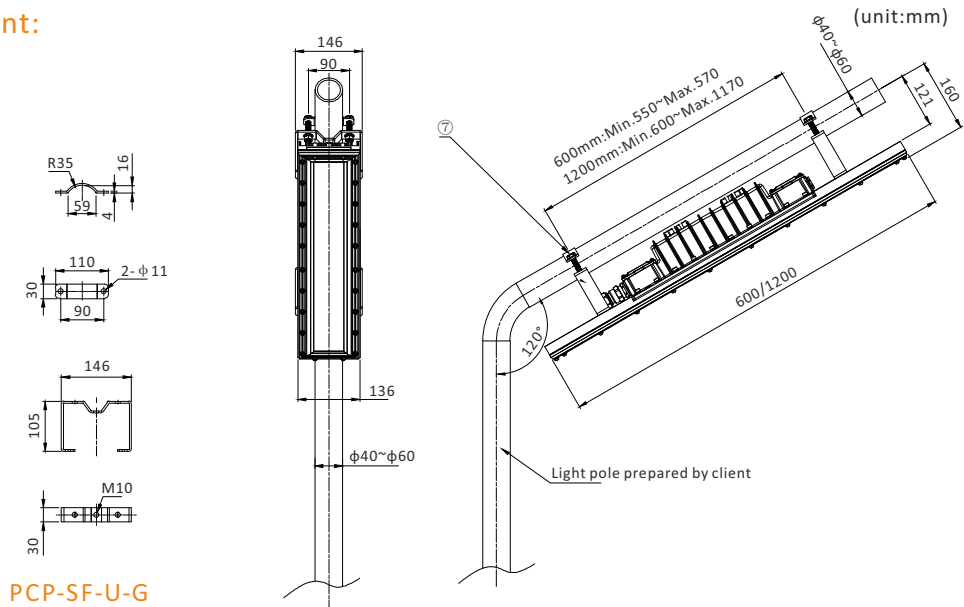


### Clamp Mount:



## Installation Method

### Pipe Clamp Mount:



## Optional Parts

No.	Installation accessories	Part No.	Picture	Material	Weight(Kg)	QTY	Remark
1	Bracket	BR-SF-U-G		Q235	0.8	2	Ceiling Mount
2	Loop	LO-SF-U-G		Q235	1.2	2	Pendant Mount
3	Pipe Clamp	PCP-SF-U-G		Q235	1.8	2	Pipe clamp
4	Stanchion bracket	SBT-SF-U-G		Q235	2.6	2	Stanchion mount Wall mount (1200mm)
5	Clamp mount	CM-SF-U-G		Q235	3	2	Clamp mount (1200mm)
6	Stanchion bracket	SBT-SF-U-G-T5		Q235	3.4	2	Stanchion mount Wall mount (600mm)
7	Clamp mount	CM-SF-U-G-T5		Q235	3.8	2	Clamp mount (600mm)