



LED Explosion Proof Emergency Light

**ATEX & IECEX Certified LED Emergency Linear light in Hazardous Area.
Swordfish Series**

- ⚠ II 2 G Ex d eb op is IIB T6 Gb
- ⚠ II 2 D Ex tb op is IIIC T80°C Db





Features And Benefits:

- High efficacy LED Source with long lifespan, L70 > 100,000 hours @ 25°C ambient
- 3-year performance warranty
- Low THD around 10%, Less interference
- 4KV/Line-Line 6KV/Line-Earth
- Robust aluminium housing and strong tempered glass
- Vibration and shock resistant
- Low maintenance

Applications:



Oil&Gas Exploration



Drilling



Oil Refinery



Petrochemical Plant



Power Plant



Pharmaceutical Plant



ATEX & IECEX Certified LED Emergency Linear light in Hazardous Area.
Swordfish Series

LED Linear light

Standard & Certificate:

Ex Mark:	Gas: ⚠ II 2 G Ex d eb op is IIB T6 Gb Dust: ⚠ II 2 D Ex tb op is IIIC T80°C Db
Certificate:	<ul style="list-style-type: none"> • ATEX Certification NO.: TÜV 15 ATEX 7673 X • IECEx Certification NO.: IECEx TUR 16.0028X
Executive Standard:	<ul style="list-style-type: none"> • CE • ABS • RoHS • (IEC)EN 60079-0, (IEC)EN 60079-1, (IEC)EN 60079-7, • (IEC)EN 60079-28, (IEC)EN 60079-31 • EN 55015, EN 61547, EN 61000-3-2, EN 61000-3-3, EN 60598-1, • EN 60598-2-5, EN 62031, EN 62493, • IEC 62321-4, IEC 62321-5, IEC 62321-6, IEC 62321-7-1, • IEC 62321-7-2, IEC 62321-8
Classification:	<ul style="list-style-type: none"> • Group II Zone 1 & 21 and 2 & 22

Electrical & Photometric Features:

Luminaire Efficacy:	136.5lm/W
Lifespan:	>100,000 hours
Operating Voltage:	220-240 VAC 311-339 VDC
Power:	Normal:18W/36W/48W/56W/72W Emergency:5W
Frequency:	50/60Hz
Power Factor:	>0.98
THD:	<10%
CRI:	>70
Insulation Class:	I
Surge Protection:	4KV/6KV
LED Driver:	Over voltage protection/short circuit protection
Battery Capacity:	2.2 Ah
Battery Type:	Ni-Cd
Battery Lifespan:	500 cycles
Back up:	180 min
Charging time: (after full discharge)	24 hours

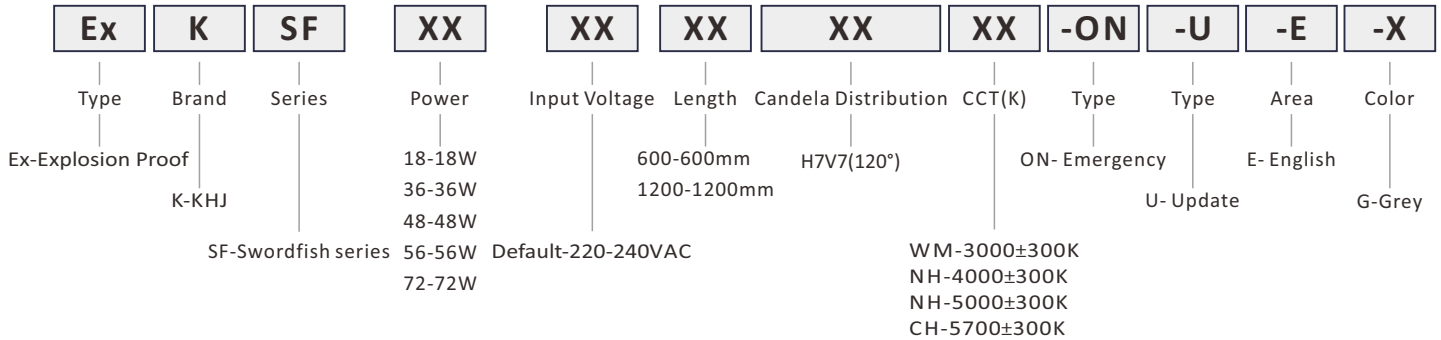
Mechanical Features:

Weight:	7.3Kg(0.6m)/11.9Kg(1.2m)
Size:	600*136*124mm(18W/36W/48W)/1200*136*124mm(36W/48W/56W/72W)
Ambient Temperature:	-20°C-+55°C
Connecting Terminals:	3*1.0-4mm ² (L+N+PE)
Cable Entries:	2XNPT 3/4" (M20*1.5, M25*1.5 are optional)
Earthing Protection:	M4 (Internal & external earth bolts)
IP Code:	IP66
Enclosure Material:	Copper-free Aluminium
Enclosure Colour:	Grey RAL7040
Coating:	Epoxy powder coating
Exposed Fastener:	Stainless steel
Protective Cover:	Tempered glass,Stand 7J impact



ATEX & IECEX Certified LED Emergency Linear light in Hazardous Area.

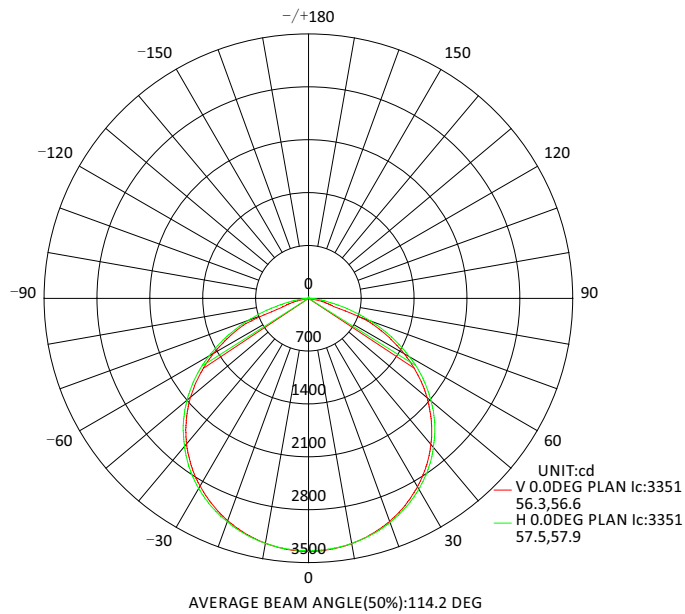
Production Definition



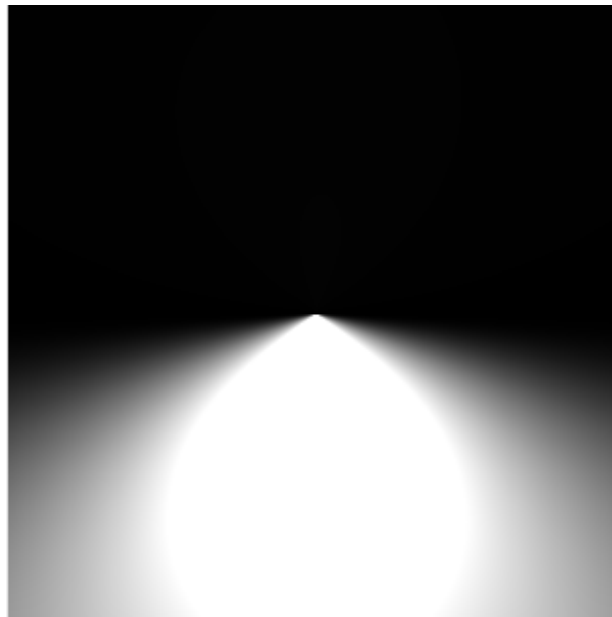
Ordering Information

P/N	Operating Voltage(V)	Luminous Flux(lm)		Power(W)		Color Temp.	CCT(K)	Temp. Classification
		Normal	Emergency	Normal	Emergency			
Ex-KSF18600H7V7WM-ON-U-E-G	220-240 AC (311-339 DC)	2268	630	18	5	Warm white	3000±300	T6
Ex-KSF18600H7V7NH-ON-U-E-G		2457	683	18		Natural white	4000±300	
Ex-KSF18600H7V7NH-ON-U-E-G		2457	683	18		Natural white	5000±300	
Ex-KSF18600H7V7CH-ON-U-E-G		2457	683	18		Cool white	5700±300	
Ex-KSF36600H7V7WM-ON-U-E-G		4536	630	36		Warm white	3000±300	
Ex-KSF36600H7V7NH-ON-U-E-G		4914	683	36		Natural white	4000±300	
Ex-KSF36600H7V7NH-ON-U-E-G		4914	683	36		Natural white	5000±300	
Ex-KSF36600H7V7CH-ON-U-E-G		4914	683	36		Cool white	5700±300	
Ex-KSF48600H7V7WM-ON-U-E-G		6048	630	48		Warm white	3000±300	
Ex-KSF48600H7V7NH-ON-U-E-G		6552	683	48		Natural white	4000±300	
Ex-KSF48600H7V7NH-ON-U-E-G		6552	683	48		Natural white	5000±300	
Ex-KSF48600H7V7CH-ON-U-E-G		6552	683	48		Cool white	5700±300	
Ex-KSF361200H7V7WM-ON-U-E-G		4536	630	36		Warm white	3000±300	
Ex-KSF361200H7V7NH-ON-U-E-G		4914	683	36		Natural white	4000±300	
Ex-KSF361200H7V7NH-ON-U-E-G		4914	683	36		Natural white	5000±300	
Ex-KSF361200H7V7CH-ON-U-E-G		4914	683	36		Cool white	5700±300	
Ex-KSF481200H7V7WM-ON-U-E-G		6048	630	48		Warm white	3000±300	
Ex-KSF481200H7V7NH-ON-U-E-G		6552	683	48		Natural white	4000±300	
Ex-KSF481200H7V7NH-ON-U-E-G		6552	683	48		Natural white	5000±300	
Ex-KSF481200H7V7CH-ON-U-E-G		6552	683	48		Cool white	5700±300	
Ex-KSF561200H7V7WM-ON-U-E-G		7056	630	56		Warm white	3000±300	
Ex-KSF561200H7V7NH-ON-U-E-G		7644	683	56		Natural white	4000±300	
Ex-KSF561200H7V7NH-ON-U-E-G		7644	683	56		Natural white	5000±300	
Ex-KSF561200H7V7CH-ON-U-E-G		7644	683	56		Cool white	5700±300	
Ex-KSF721200H7V7WM-ON-U-E-G		9072	630	72		Warm white	3000±300	
Ex-KSF721200H7V7NH-ON-U-E-G		9828	683	72		Natural white	4000±300	
Ex-KSF721200H7V7NH-ON-U-E-G		9828	683	72		Natural white	5000±300	
Ex-KSF721200H7V7CH-ON-U-E-G		9828	683	72		Cool white	5700±300	

Candela Distribution

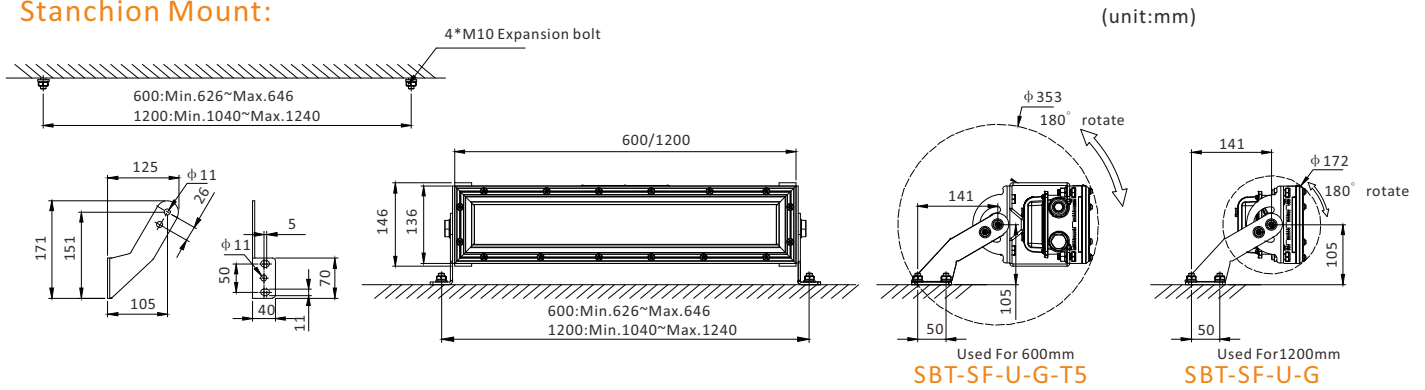


H7V7(120°)/High Efficacy LED Source

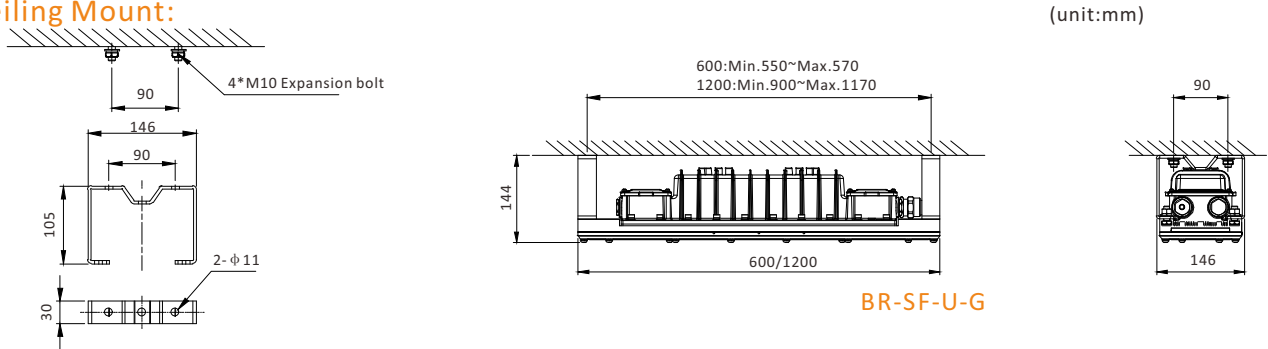


Installation Method

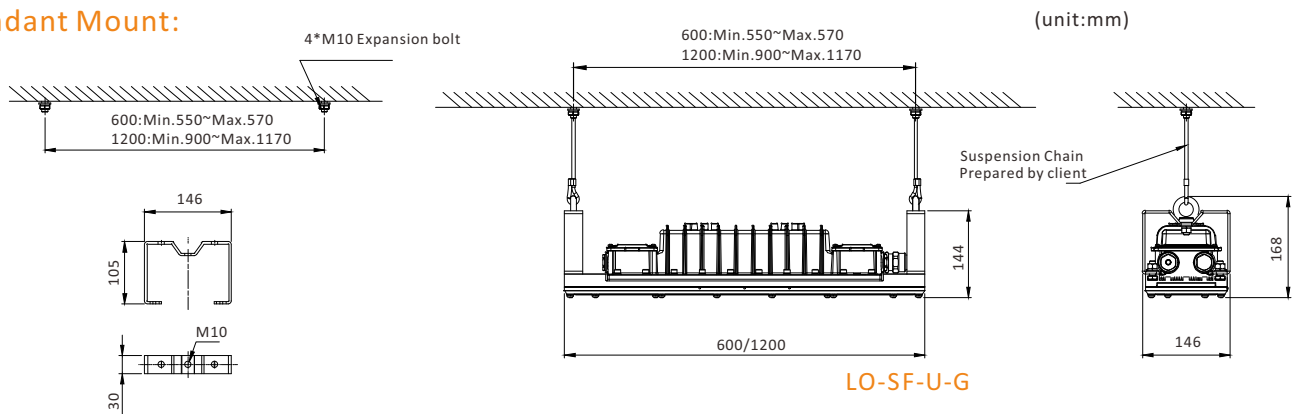
Stanchion Mount:



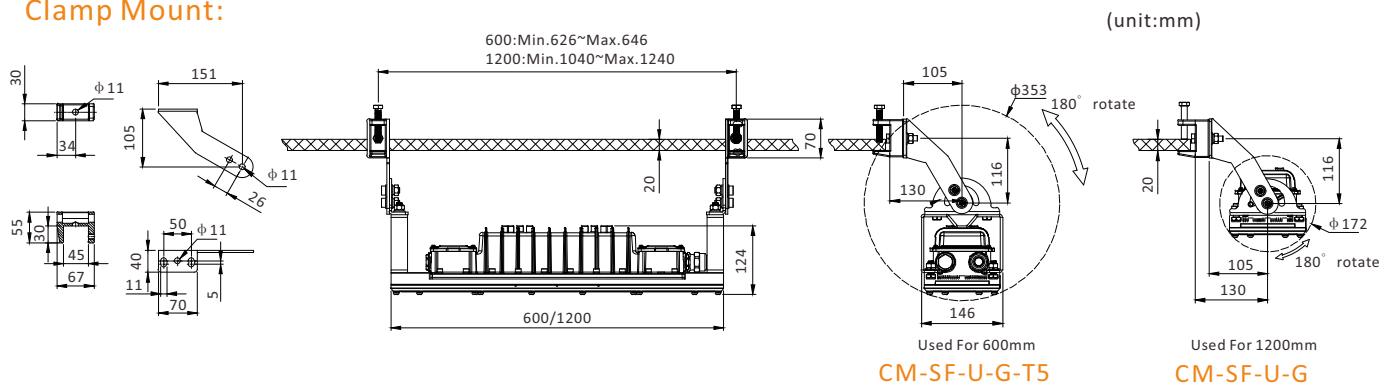
Ceiling Mount:



Pendant Mount:

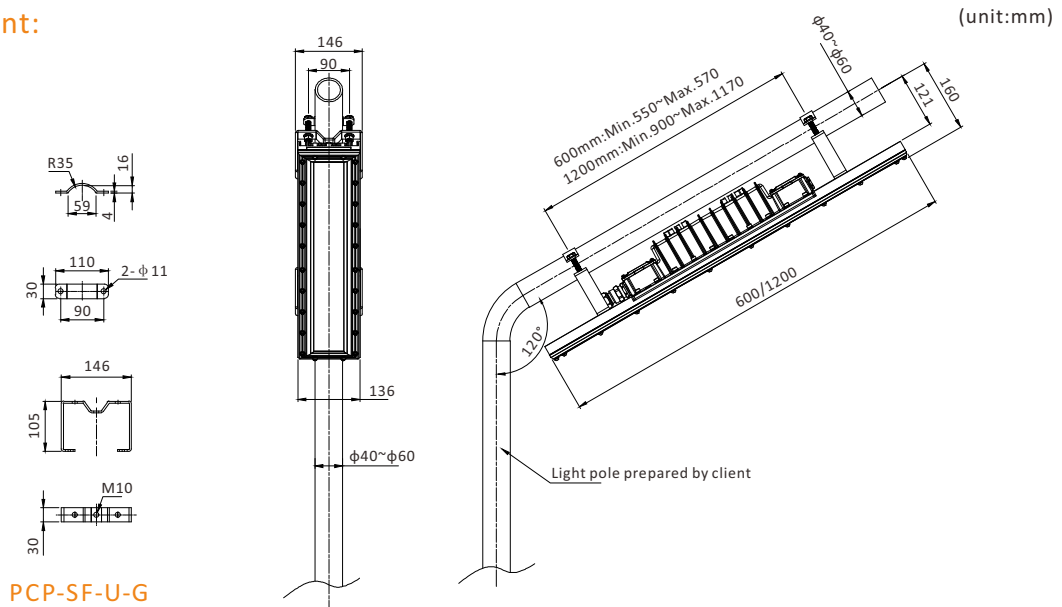


Clamp Mount:



Installation Method

Pipe Clamp Mount:



Optional Parts

No.	Installation accessories	Part No.	Picture	Material	Weight(Kg)	QTY	Remark
1	Bracket	BR-SF-U-G		Q235	0.8	2	Ceiling Mount
2	Loop	LO-SF-U-G		Q235	1.2	2	Pendant Mount
3	Pipe Clamp	PCP-SF-U-G		Q235	1.8	2	Pipe clamp
4	Stanchion bracket	SBT-SF-U-G		Q235	2.6	2	Stanchion mount Wall mount (1200mm)
5	Clamp mount	CM-SF-U-G		Q235	3	2	Clamp mount (1200mm)
6	Stanchion bracket	SBT-SF-U-G-T5		Q235	3.4	2	Stanchion mount Wall mount (600mm)
7	Clamp mount	CM-SF-U-G-T5		Q235	3.8	2	Clamp mount (600mm)