

## LED Explosion Proof Light

**ATEX & IECEx Certified LED Floodlight Hazardous Area.  
Tank Series**

⚡ II 2 G Ex db IIC T\* Gb

⚡ II 2 D Ex tb IIIC T\* Db IP66





## Features And Benefits:

- High efficacy LED Source with long lifespan, L70 > 100,000 hours @ 25°C ambient
- 3-year performance warranty
- Low THD around 10%, Less interference
- 6KV Surge Protection
- Robust aluminium housing and strong tempered glass
- Vibration and shock resistant
- Low maintenance
- Dust proof structure design to avoid dust accumulation

## Applications:



Oil&Gas Exploration



Drilling



Oil Refinery



Petrochemical Plant



Power Plant



Pharmaceutical Plant





ATEX & IECEx Certified LED Floodlight in Hazardous Area.

# LED Floodlight

## Standard & Certificate:

Ex Mark:	Gas: ⚠ II 2 G Ex db IIC T* Gb Dust: ⚠ II 2 D Ex tb IIIC T* Db IP66
Certificate:	ATEX Certification NO.: TÜV 21 ATEX 8775 X IECEx Certification NO.: IECEx TUR 21.0070X
Executive Standard:	(IEC)EN 60079-0, (IEC)EN 60079-1, (IEC)EN 60079-28, (IEC)EN 60079-31 EN 55015, EN 61547, EN 61000-3-2, EN 61000-3-3, EN 60598-1, EN 60598-2-5, EN 62031, EN 62493, IEC 62321-4, IEC 62321-5, IEC 62321-6, IEC 62321-7-1 IEC 62321-7-2, IEC 62321-8
Classification:	Group II, Zone 1 & 21 and 2 & 22

## Electrical & Photometric Features:

Luminaire Efficacy:	Max:143lm/W
Lifespan:	>100,000 hours
Operating Voltage:	220-240 VAC,311-339VDC
Power:	Normal:160W/200W/240W Emergency:10W
Battery:	9.6V 4.0Ah, Ni-MH
Emergency Duration:	≥180min
Charge time:	≥24hours
THD:	< 10%
Frequency:	50/60Hz
Power Factor:	> 0.89
Insulation Class:	I
Surge Protection:	6KV
LED Driver:	Over voltage protection/short circuit protection

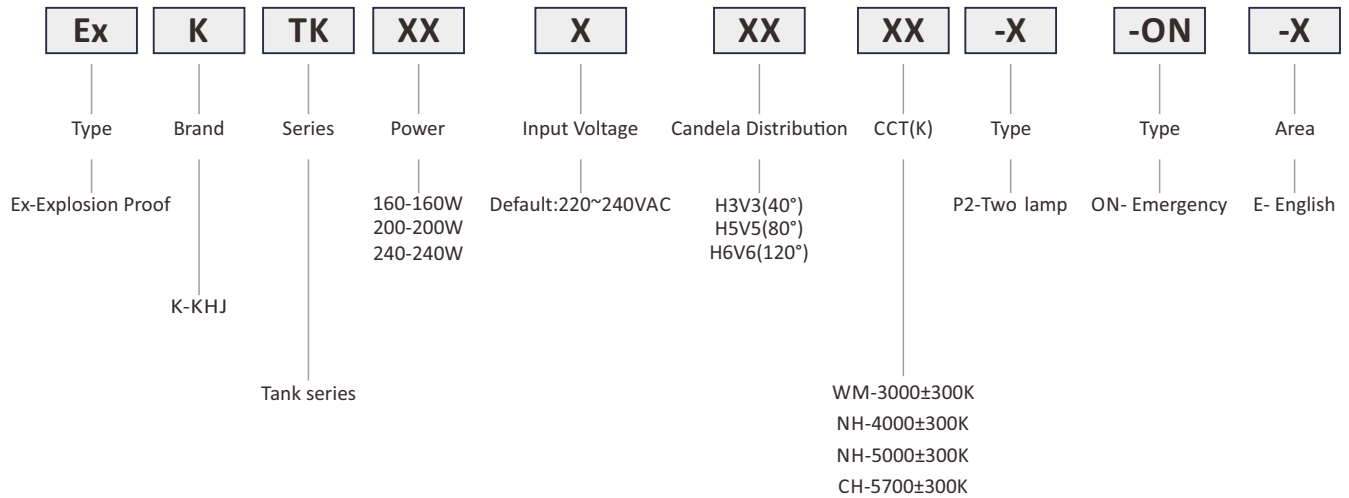
## Mechanical Features:

Weight:	18Kg
Size:	332*426*142mm
Ambient Temperature:	-20°C - +55°C
Connecting Terminals:	3*1.0-4mm <sup>2</sup> (L+N+PE)
Available cable outer diameter:	φ7-φ20(mm)
Cable Entries:	2XM20*1.5 (NPT 3/4", M25*1.5 are optional)
Earthing Protection:	M4 (Internal & external earth bolts)
IP Code:	IP66
Enclosure Material:	Aluminium
Enclosure Colour:	Grey RAL7040
Coating:	Epoxy powder coating
Exposed Fastener:	Stainless steel
Protective Cover:	Tempered glass,Stand 7J impact



ATEX & IECEx Certified LED Floodlight light in Hazardous Area.

## Production Definition

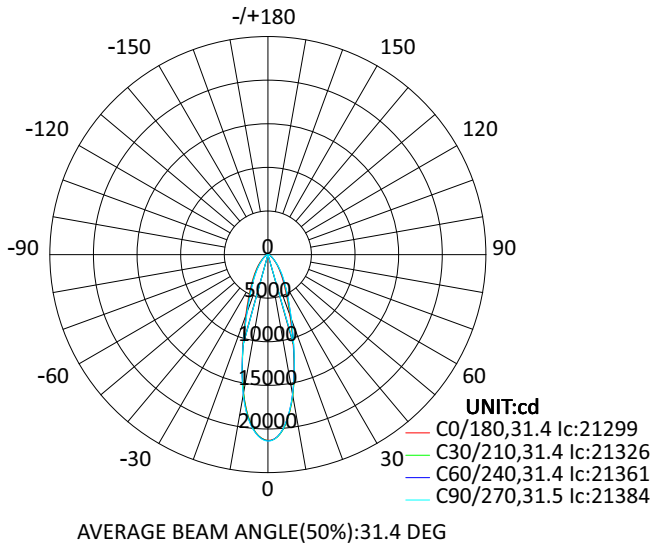


## Ordering information

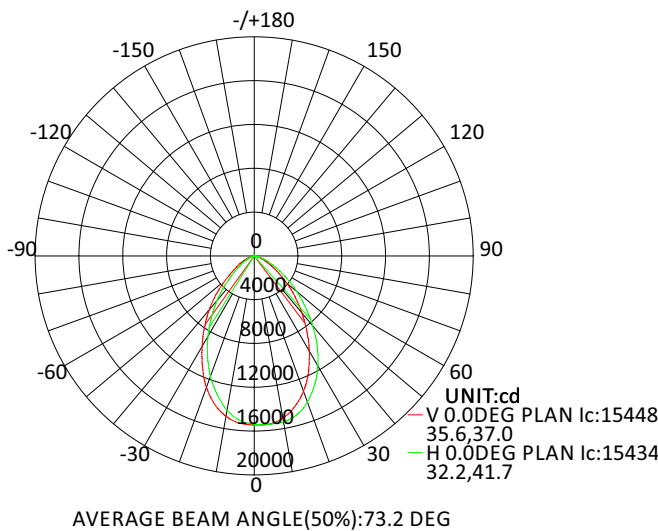
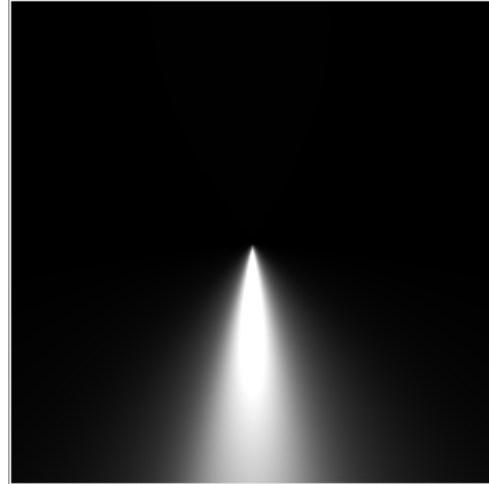
P/N	Operating Voltage(V)	Luminous Flux(lm)		Power(W)		CRI	Color Temp.	CCT(K)	Temp. Classification
		Normal	Emergency	Normal	Emergency				
Ex-KTK160*CH-P2-ON-E	220-240 VAC (311-339 VDC)	22910	1430	160	10	70	Cool white	5700K±300K	T5
Ex-KTK160*NH-P2-ON-E		22910	1430			70	Natural white	5000K±300K	T5
Ex-KTK160*NH-P2-ON-E		22910	1430			70	Natural white	4000±300k	T5
Ex-KTK160*WM-P2-ON-E		20619	1290			70	Warm white	3000±300k	T5
Ex-KTK200*CH-P2-ON-E		29145	1430	200	10	70	Cool white	5700±300k	T5
Ex-KTK200*NH-P2-ON-E		29145	1430			70	Natural white	5000±300k	T5
Ex-KTK200*NH-P2-ON-E		29145	1430			70	Natural white	4000±300k	T5
Ex-KTK200*WM-P2-ON-E		26230	1290			70	Warm white	3000±300k	T5
Ex-KTK240*CH-P2-ON-E		34136	1430	240	10	70	Cool white	5700±300k	T5
Ex-KTK240*NH-P2-ON-E		34136	1430			70	Natural white	5000±300k	T5
Ex-KTK240*NH-P2-ON-E		34136	1430			70	Natural white	4000±300k	T5
Ex-KTK240*WM-P2-ON-E		30884	1290			70	Warm white	3000±300k	T5

Remarks:1.The second \* stands for Candela Distribution including H3V3,H5V5,H6V6.

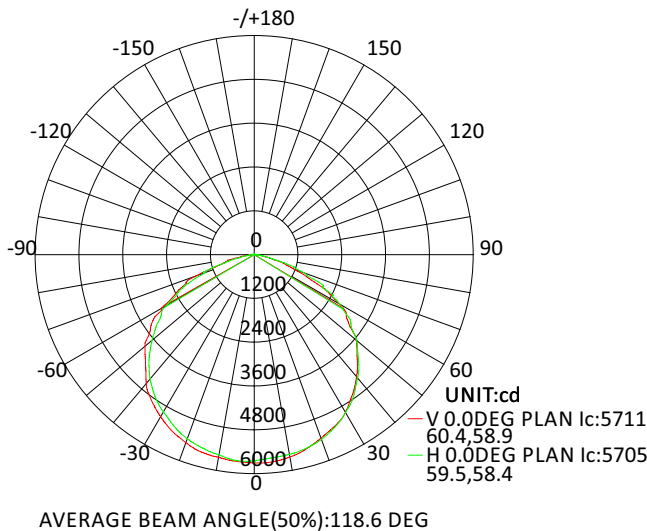
## Candela Distribution



H3V3(40°)/High efficacy LED Source



H5V5(80°)/High efficacy LED Source



H6V6(120°)/High efficacy LED Source

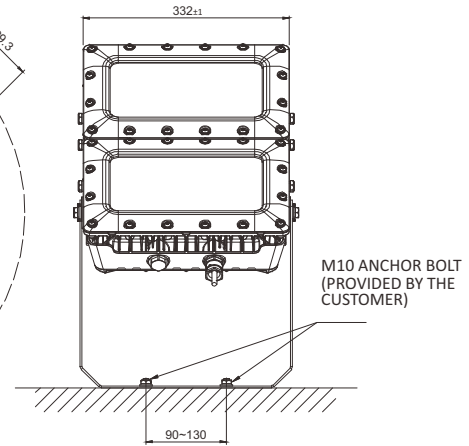
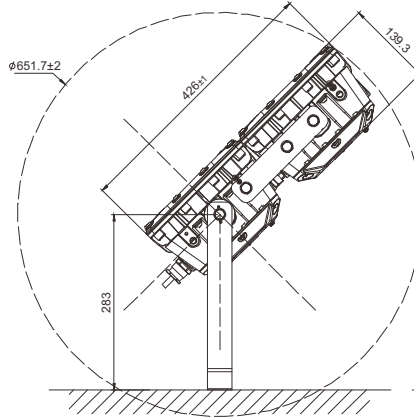
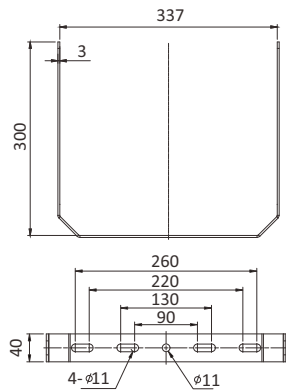


## Installation Method

### Stanchion mount / Wall mount

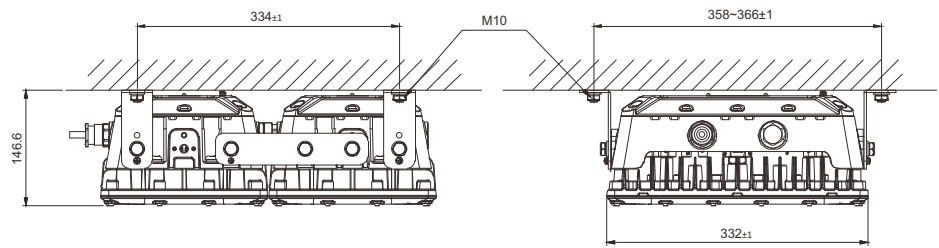
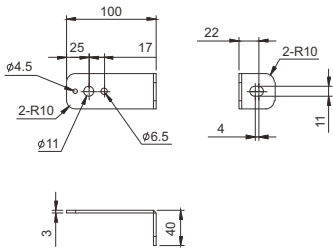
(unit:mm)

180° ROTATION (EVERY 15° IS A ROTATION ANGLE),



### Ceiling Mount:

(unit:mm)



## Optional Parts

No.	Installation accessories	Part No.	Picture	Material	Weight(Kg)	QTY	Remark
1	Ceiling bracket	BR-TK-2-SUS316		SUS316	1.8	1	
2	Stanchion bracket	SBT-TK-2-SUS316		SUS316	1	1	