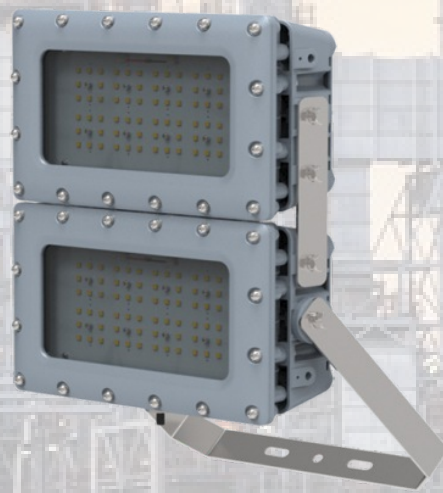




Tank Series



LED Industrial Light

**CE & RoHS Certified LED Floodlight Light in Industrial Area.
Tank Series**

CE RoHS

www.khjled.com



Features And Benefits:

- High efficacy LED Source with long lifespan, L70 > 100,000 hours @ 25°C ambient
- 5-year performance warranty
- Low THD around 10%, Less interference
- 6KV Surge Protection
- Robust aluminium housing and strong tempered glass
- Vibration and shock resistant
- Low maintenance
- Dust proof structure design to avoid dust accumulation

Applications:



Cement plants



Warehouse



Factory



Power Generation



Power Transmission



Shipping industry

CE RoHS

CE & RoHS Certified LED Floodlight in Industrial Area.

LED Floodlight

Standard & Certificate:

Certificate:	• CE	• RoHS
Executive Standard:	• EN 55015, EN 61547, EN 61000-3-2, EN 61000-3-3 • EN 60598-1, EN 60598-2-5, EN 62031, EN 62493 • IEC 62321-4, IEC 62321-5, IEC 62321-6 • IEC 62321-7-1, IEC 62321-7-2, IEC 62321-8	

Electrical & Photometric Features:

Luminaire Efficacy:	Max:152lm/W	
Lifespan:	>100,000 hours	
Operating Voltage:	220-240 VAC,311-339VDC	
Power:	Normal	160W/200W/240W
	Emergency	10W
Frequency:	50/60Hz	
Battery Capacity:	9.6V 4Ah	
Battery Type:	NI-MH	
Battery Lifespan:	500 cycles	
Light Duration:	3h	
Charge Time:	>24h	
Power Factor:	>0.98	
THD:	<10%	
Insulation Class:	I	
Surge Protection:	4KV/6KV	
LED Driver:	Over voltage protection/short circuit protection	

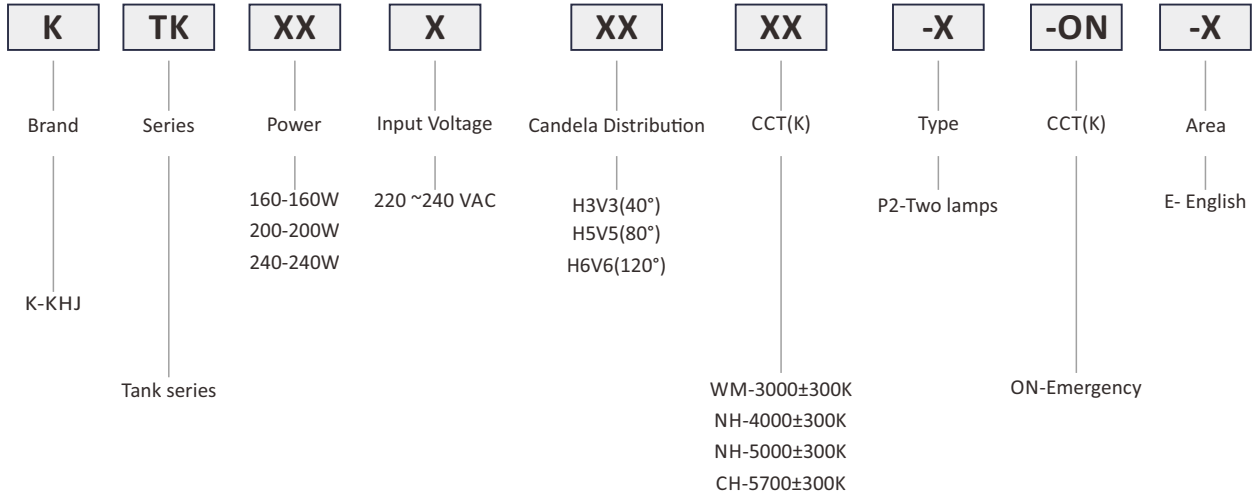
Mechanical Features:

Weight:	18Kg
Size:	332*426*142mm
Ambient Temperature:	-20°C--+55°C
Connecting Terminals:	3*1.0-4.0mm ² (L+N+PE)
Cable Entries:	2XM20*1.5 (NPT 3/4", M25*1.5 are optional)
Earthing Protection:	M4 (Internal & external earth bolts)
IP Code:	IP66
Enclosure Material:	Aluminium
Enclosure Colour:	Grey RAL7040
Coating:	Epoxy powder coating
Exposed Fastener:	Stainless steel
Protective Cover:	Tempered glass,Stand 7J impact

CE RoHS

CE & RoHS Certified LED Floodlight in Industrial Area.

Production Definition



Ordering information

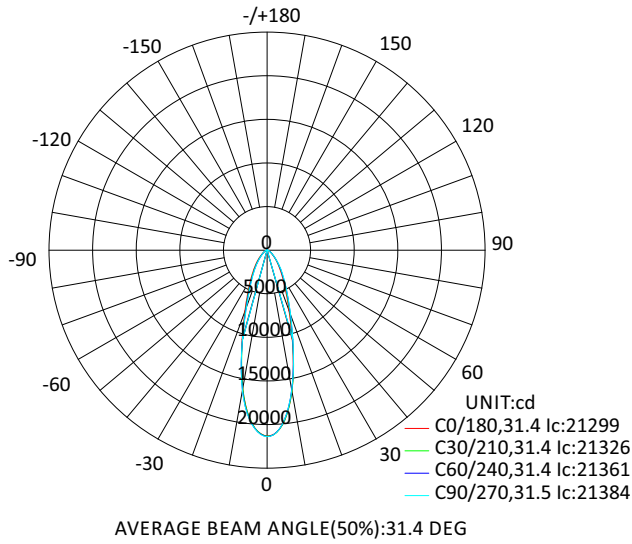
P/N	Operating Voltage(V)	Luminous Flux(lm)	Power(W)		CRI	Color Temp.	CCT(K)
			Normal	Emergency			
KTK160*CH-P2-ON-E	220-240 VAC (311-339 VDC)	22910	160	10	70	Cool white	5700K±300K
KTK160*NH-P2-ON-E		22910			70	Natural white	5000K±300K
KTK160*NH-P2-ON-E		22910			70	Natural white	4000±300k
KTK160*WM-P2-ON-E		20619			70	Warm white	3000±300k
KTK200*CH-P2-ON-E		29145	200		70	Cool white	5700±300k
KTK200*NH-P2-ON-E		29145			70	Natural white	5000±300k
KTK200*NH-P2-ON-E		29145			70	Natural white	4000±300k
KTK200*WM-P2-ON-E		26230			70	Warm white	3000±300k
KTK240*CH-P2-ON-E		34136	240		70	Cool white	5700±300k
KTK240*NH-P2-ON-E		34136			70	Natural white	5000±300k
KTK240*NH-P2-ON-E		34136			70	Natural white	4000±300k
KTK240*WM-P2-ON-E		30884			70	Warm white	3000±300k

Remarks: 1.The * stands for Candela Distribution including H3V3,H5V5,H6V6.

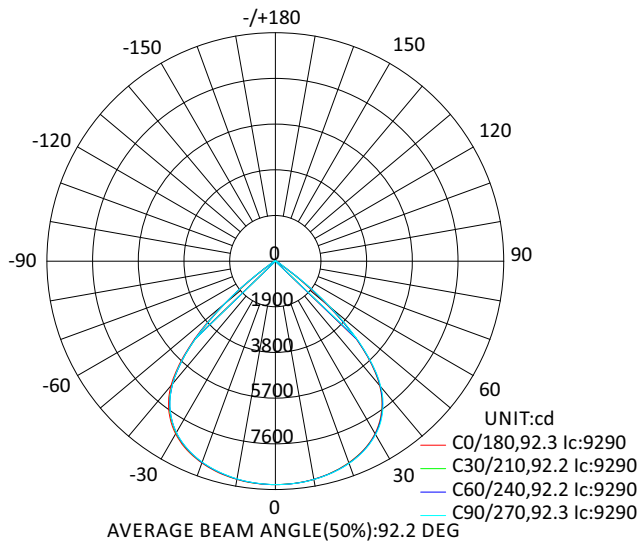
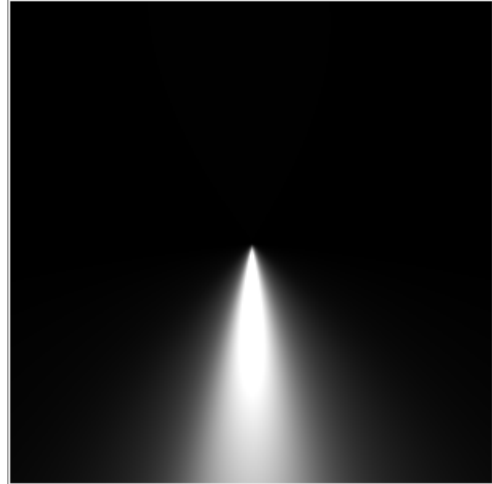
CE RoHS

CE & RoHS Certified LED Floodlight in Industrial Area.

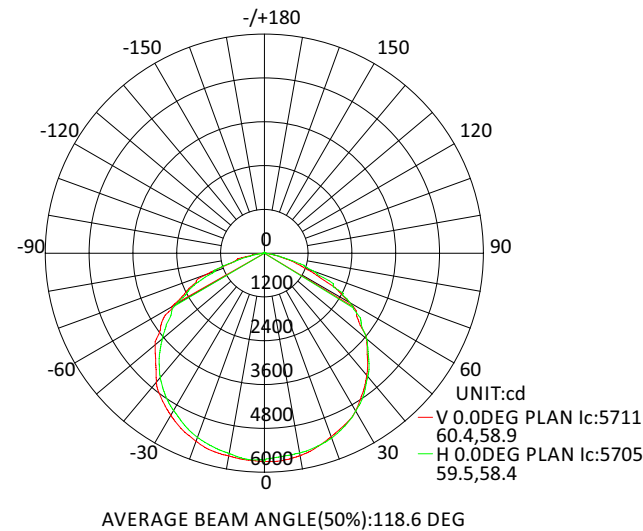
Candela Distribution



H3V3(40°)/High efficacy LED Source



H5V5(80°)/High efficacy LED Source



H6V6(120°)/High efficacy LED Source



CE RoHS

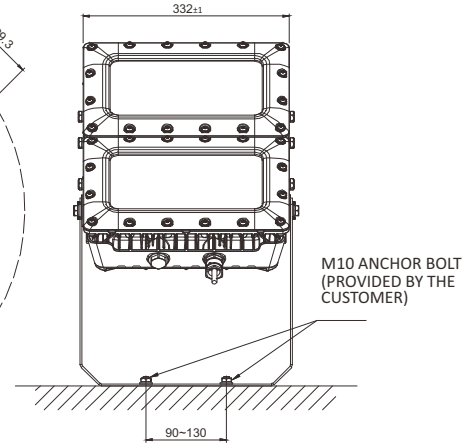
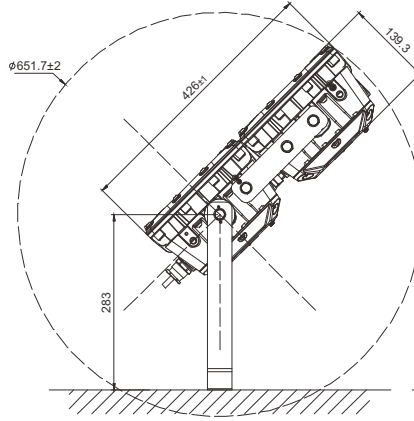
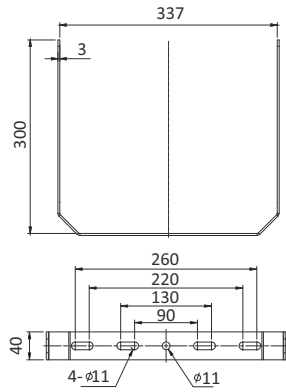
CE & RoHS Certified LED Floodlight in Industrial Area.

Installation Method

Stanchion mount / Wall mount

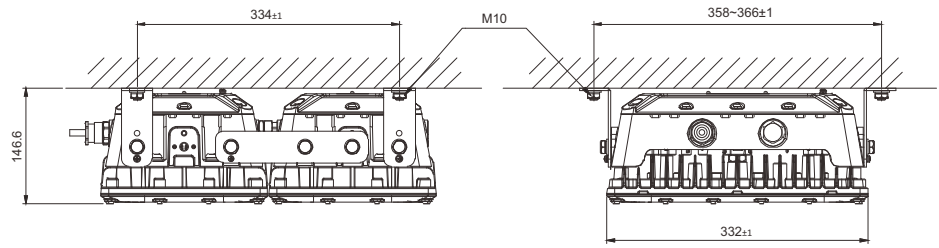
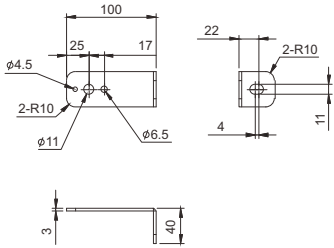
(unit:mm)

180° ROTATION (EVERY 15° IS A ROTATION ANGLE),





Ceiling Mount:

(unit:mm)



Optional Parts

No.	Installation accessories	Part No.	Picture	Material	Weight(Kg)	QTY	Remark
1	Ceiling bracket	BR-TK-2-SUS316		SUS316	1.8	1	
2	Stanchion bracket	SBT-TK-2-SUS316		SUS316	1	1	